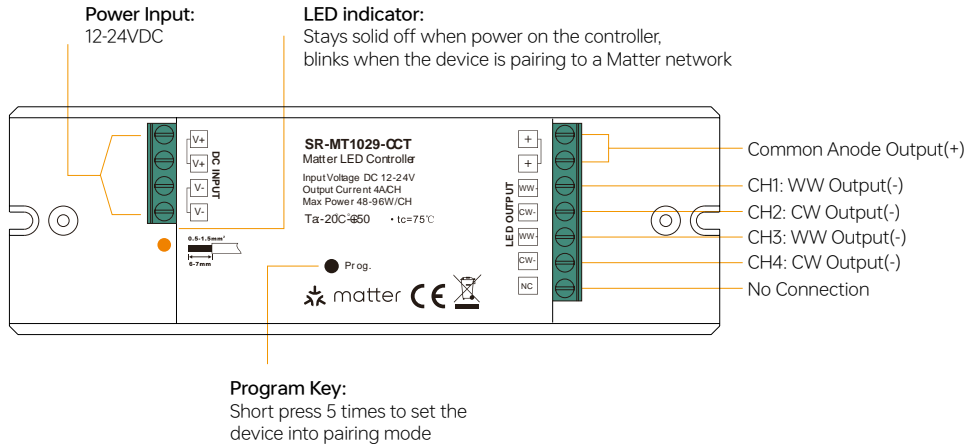


Matter CCT LED Controller Over Thread

Function Introduction

- **Important:** Read All Instructions Prior to Installation.



Product Data

Input Voltage	Output Current	Output Power	Remarks	Size (LxWxH)	Ambient Temperature	Max. Casing Temperature
12-24VDC	4A/CH	48-96W/CH	Constant voltage	145x46.5x16mm	-20°C ~ +50°C	75°C

Features

- Matter CCT LED controller over thread
- Matter certified device
- Communication via an IPv6 Thread Network
- 12-24VDC input
- 12V/24V constant voltage output, 4 channels output, max. 4A per channel
- Controls tunable white LED lights
- Fully compatible with universal Matter ecosystems from different manufacturers
- Thread Border Router is required (e.g. Apple HomePod mini or Google NestHub)
- Easy commissioning and pairing by scanning the QR code
- Can be controlled through the Apple Home app, Google Home app, Amazon Alexa app
- Can be voice controlled through Apple Siri, Google Assistant, Amazon Alexa
- Wireless firmware updates possible
- Waterproof grade: IP20

Safety & Warnings



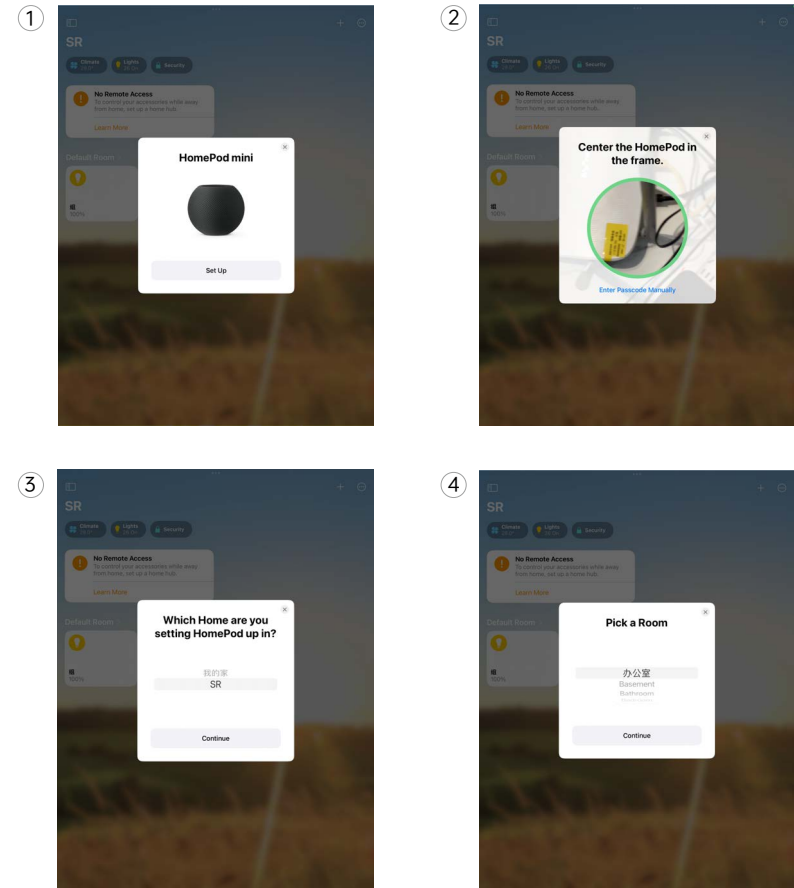
- DO NOT install with power applied to the device.
- DO NOT expose the device to moisture.

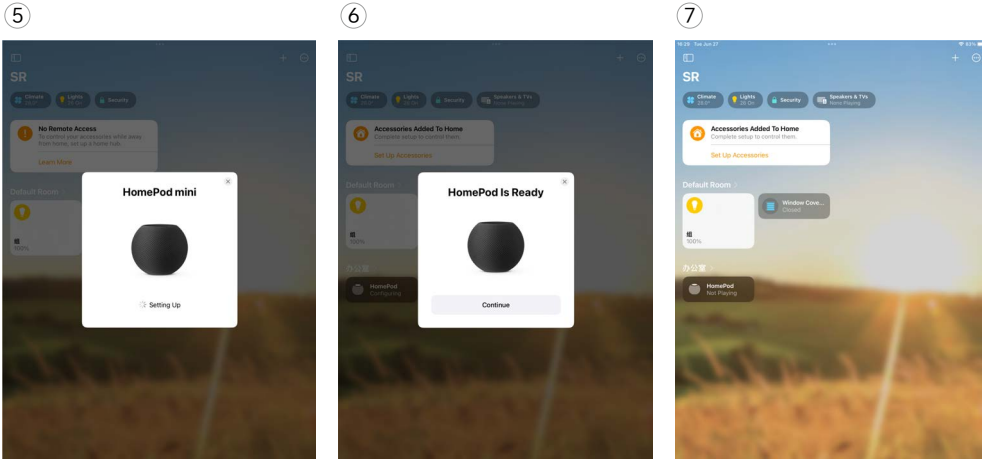
Operation

- 1 Do wiring according to connection diagram correctly. (See P6)
- 2 This Matter thread device is a wireless receiver that communicates with a variety of Matter compatible systems. This receiver receives and is controlled by wireless radio signals from the compatible Matter system.
- 3 Add to a Matter border router and control through the Matter platform:

Note: An Apple HomePod mini is used as a Matter border router for adding and controlling the device. For other Matter border routers, please refer to their user manuals to learn how to add and control Matter devices.

- Step 1:** Prepare an iPhone (iOS 16.2 or later) or iPad (iPadOS 16.2 or later) with the latest version firmware, and prepare an Apple HomePod mini with the latest version firmware.
- Step 2:** Connect the iPhone or iPad to your home WLAN network. Run the Apple Home app and set up the HomePod mini as instructed by Apple (as shown in [Figure 1 to Figure 7](#)).

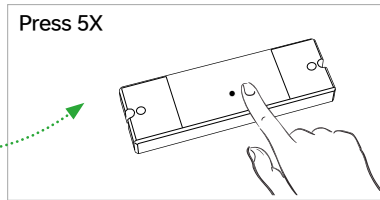




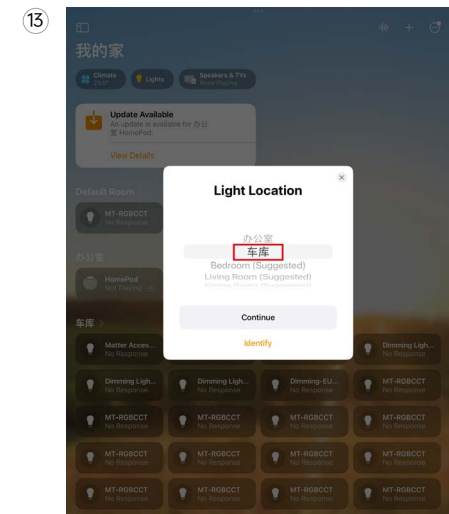
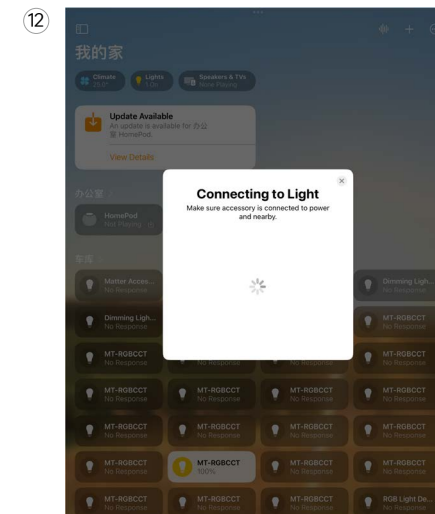
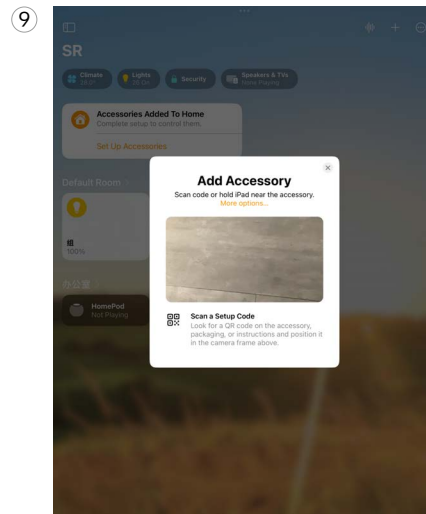
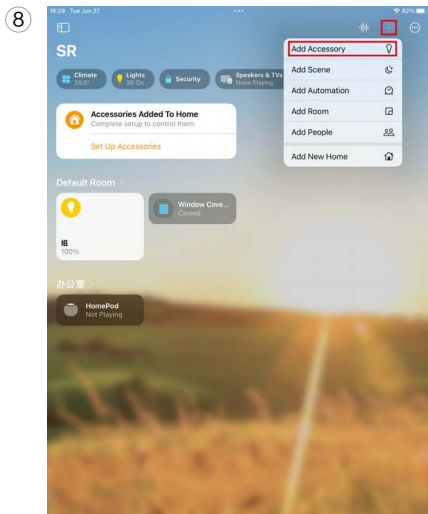
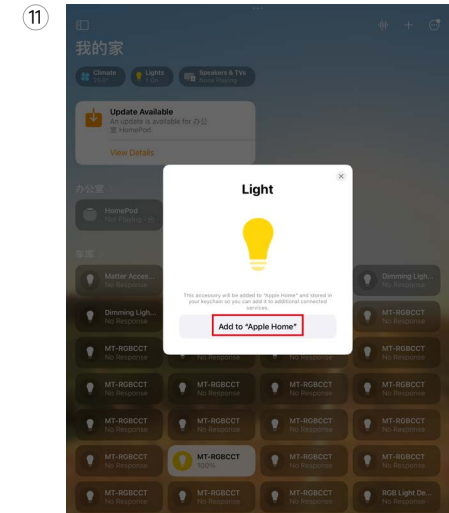
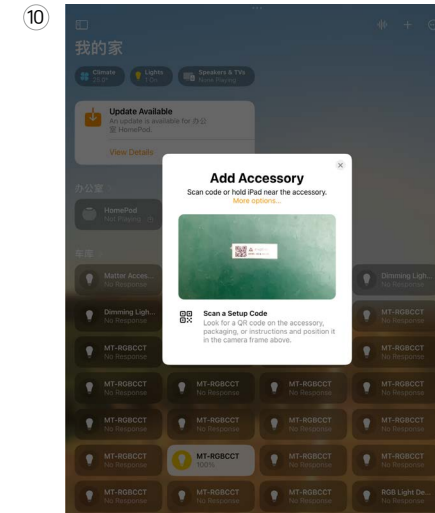
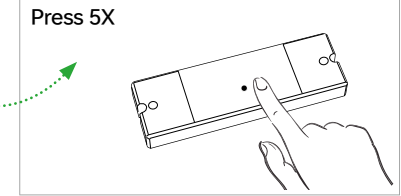
Step 3: Do wiring of the Matter LED controller according to the wiring diagram (See P6) and power on it.

Step 4: Short press the "Prog." button 5 times to set the LED controller into pairing mode.

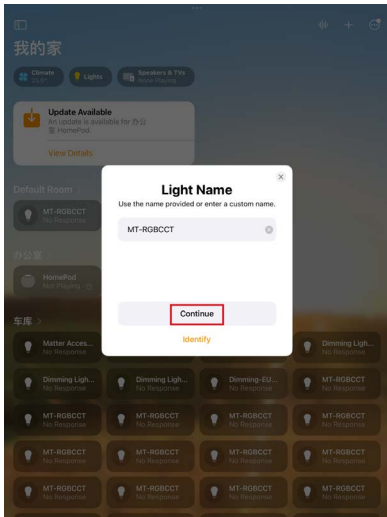
Step 5: Add the Matter LED controller to the Apple Home app by scanning the QR code on the LED controller as shown in Figure 8 to Figure 15.



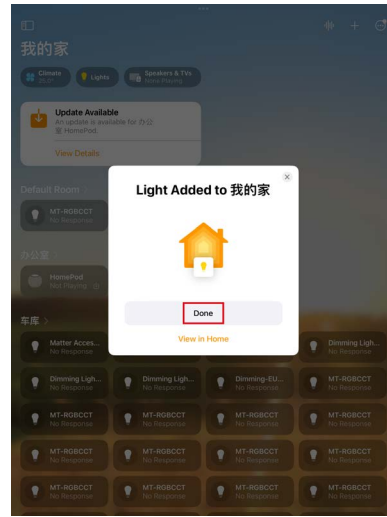
Note: Before scanning the QR code sticker on the dimmer as shown in Figure 10, short press the "Prog." button 5 times to set the LED controller into pairing mode so that it can be discovered by the Apple Home app. Otherwise it can not be discovered by the Apple Home App.



14



15

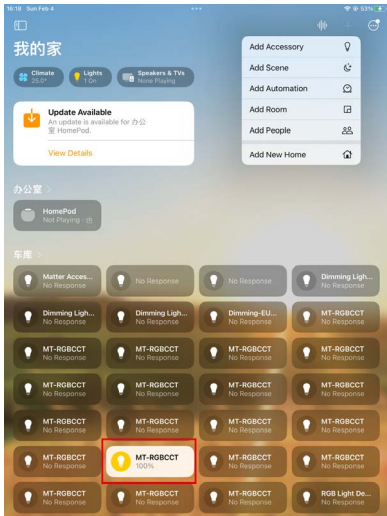


Note: When choose the room that you would like to add the LED controller to, please make sure to choose the same room that the HomePod mini is located as shown in Figure 13.

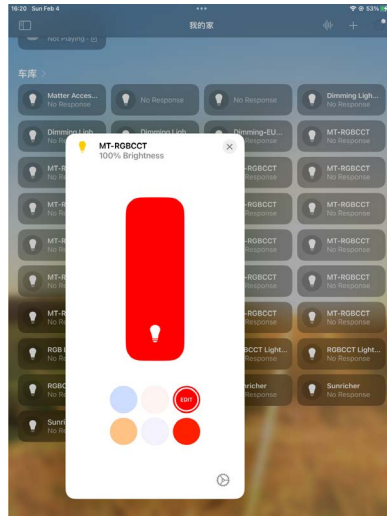
Step 6:

Once the LED controller is added to the border router successfully, tap on the device to control on/off, and press & hold device icon to enter into brightness and color control interface as shown in Figure 16 to Figure 17.

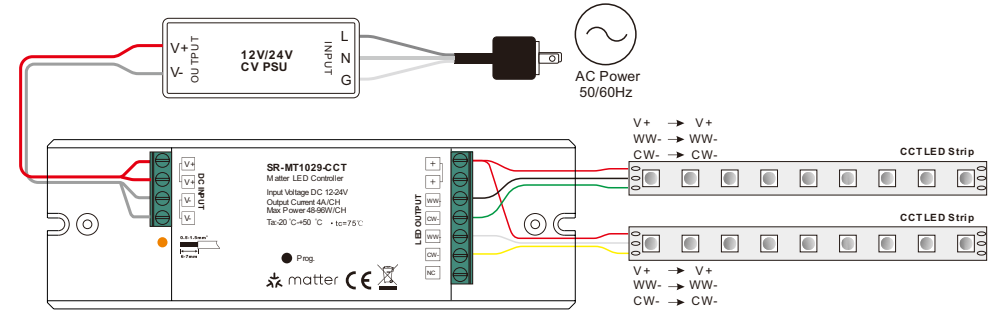
16



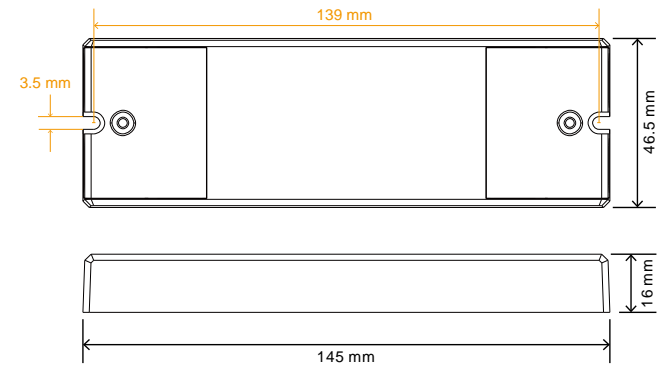
17



Wiring Diagram



Product Dimension



Package

