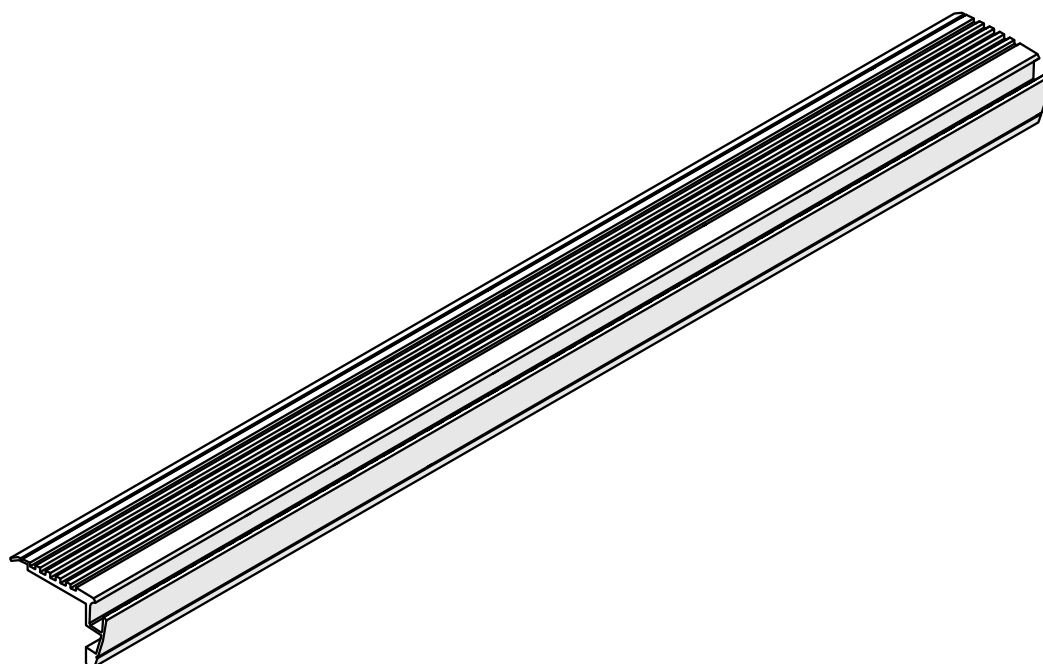
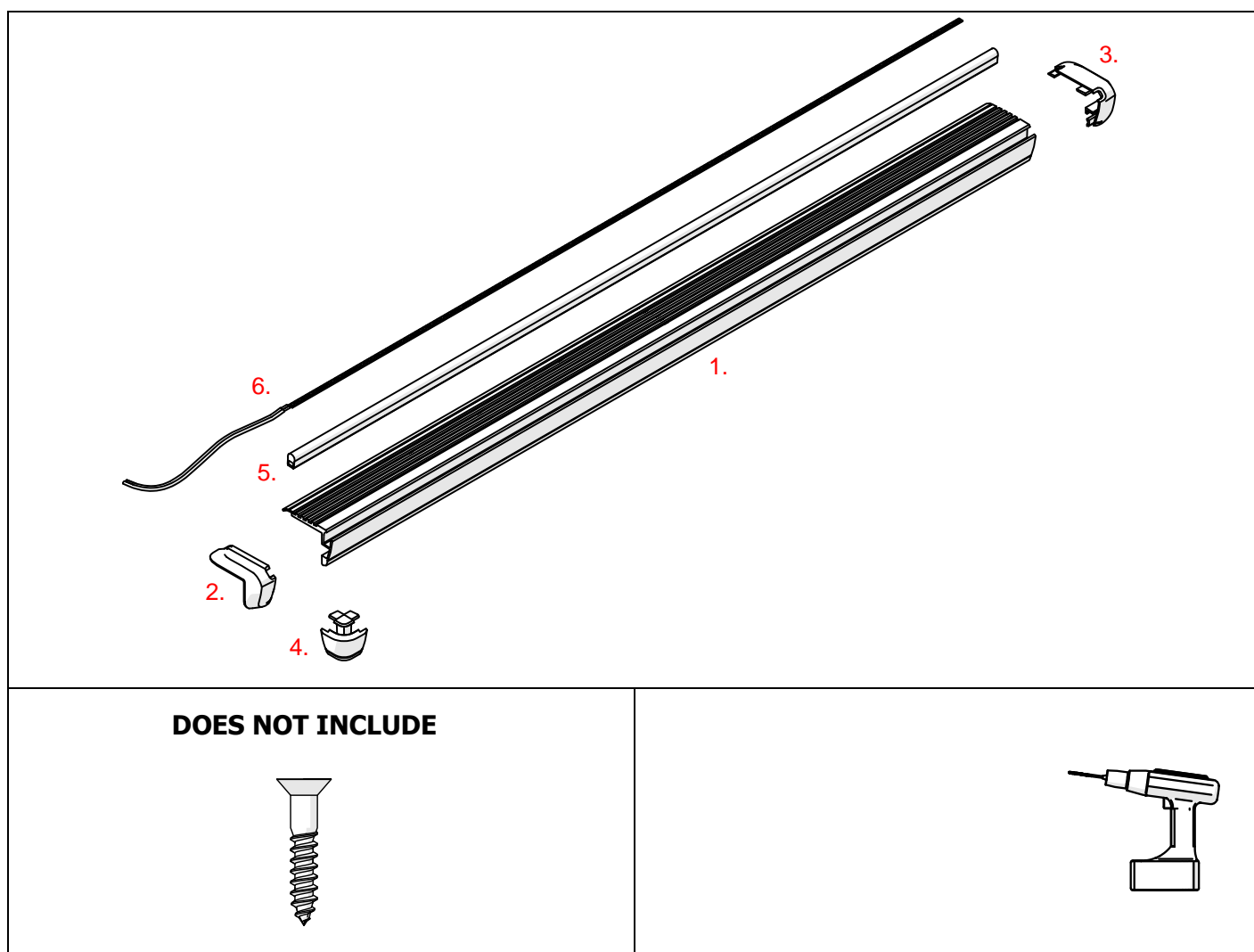


Profile STEKO-PLUS



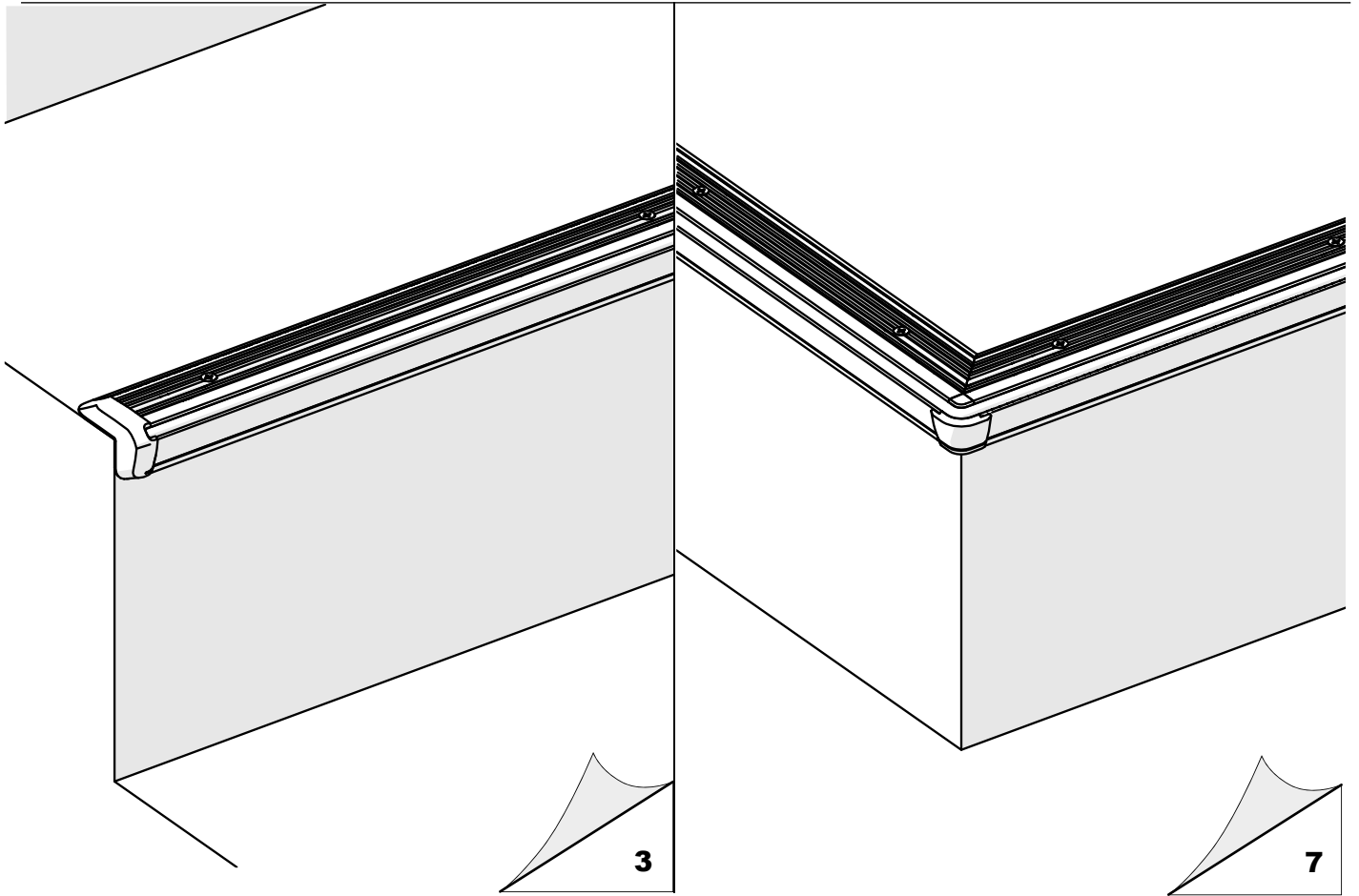


- 1. Profile STEKO-PLUS (Ref. A06888)
- 2. End cap STEKO-PLUS-L (Ref. C24543)
- 3. End cap STEKO-PLUS-R (Ref. C24544)
- 4. End cap STEKO-PLUS-90 (Ref. C28281)
- 5. Cover BENCO-5 (Ref. B17002)
- 6. LED tape*

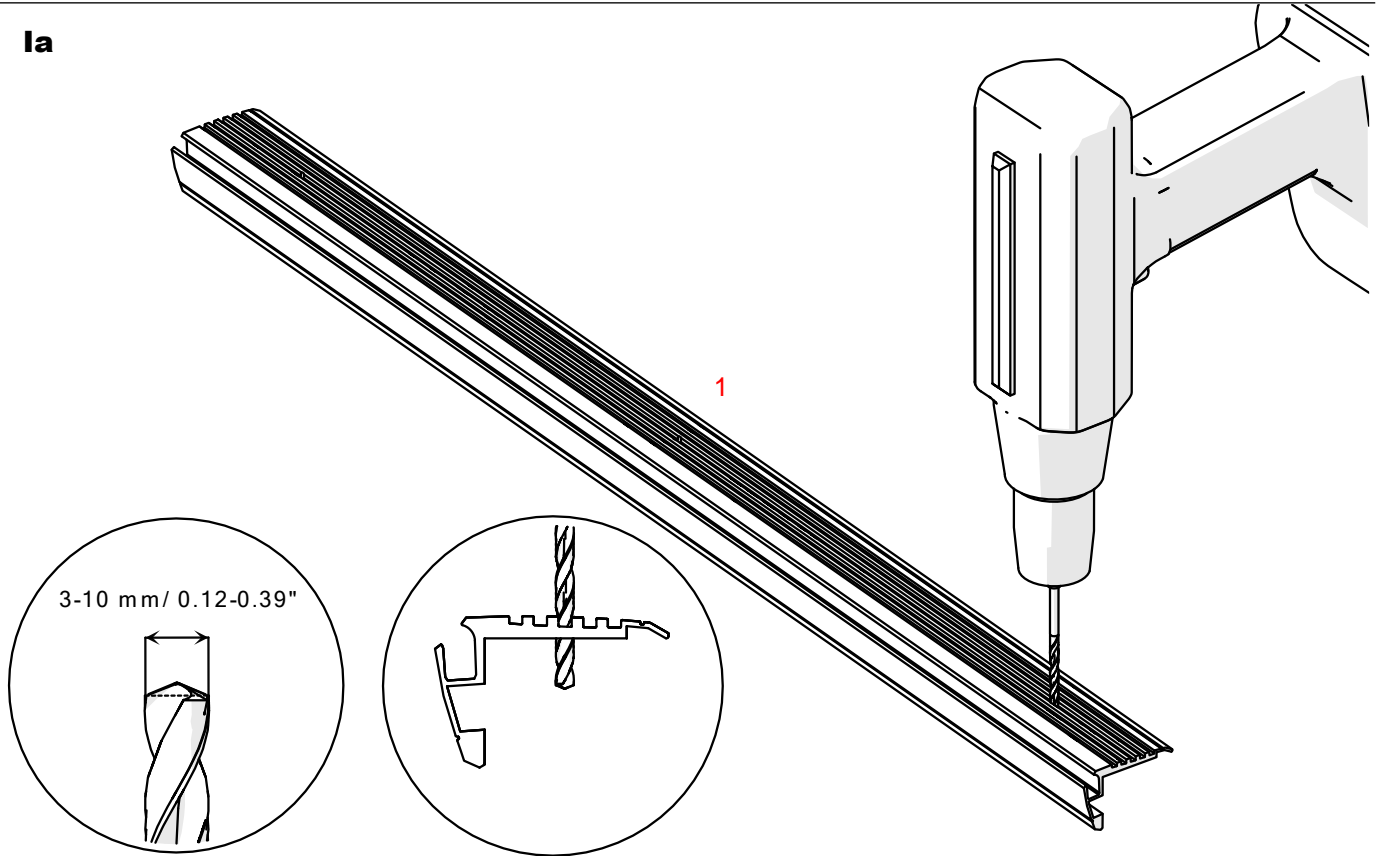
* The full range of accessories and electronics is available at www.KlusDesign.eu

NOTE! ! All LED tapes must be connected to a 24 V power supply.

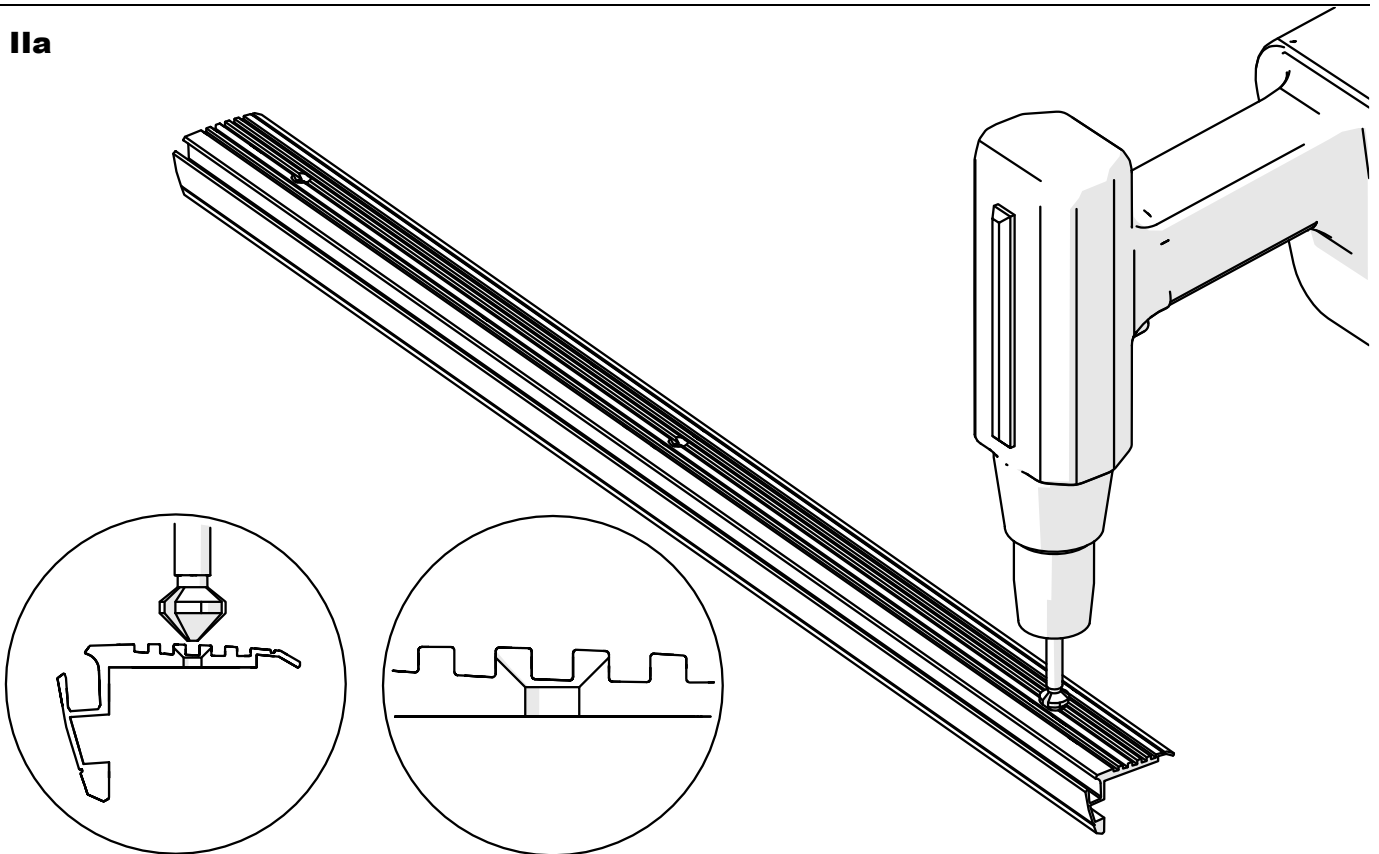
IMPORTANT: Not all possible mounting procedures are presented here. More mounting procedures and related accessories can be found at www.KlusDesign.eu. Drawings in these instructions are simplified and only approximate the actual shapes.



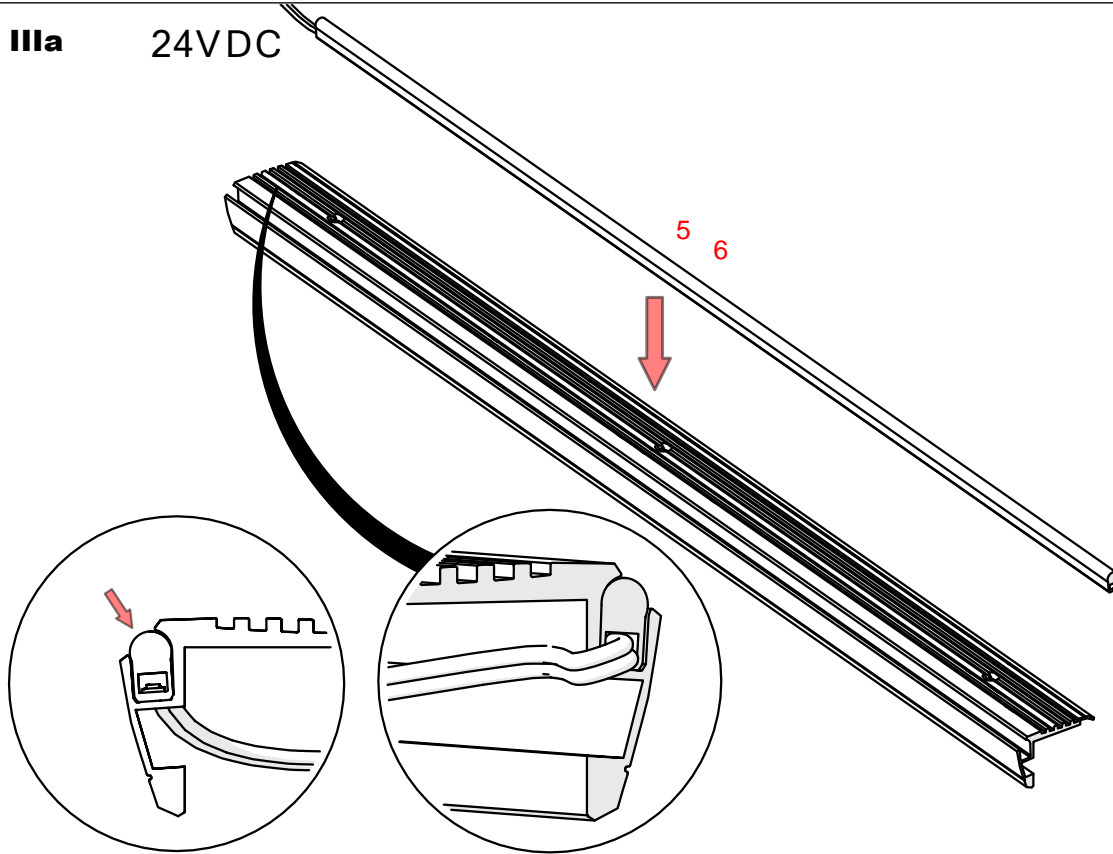
Ia



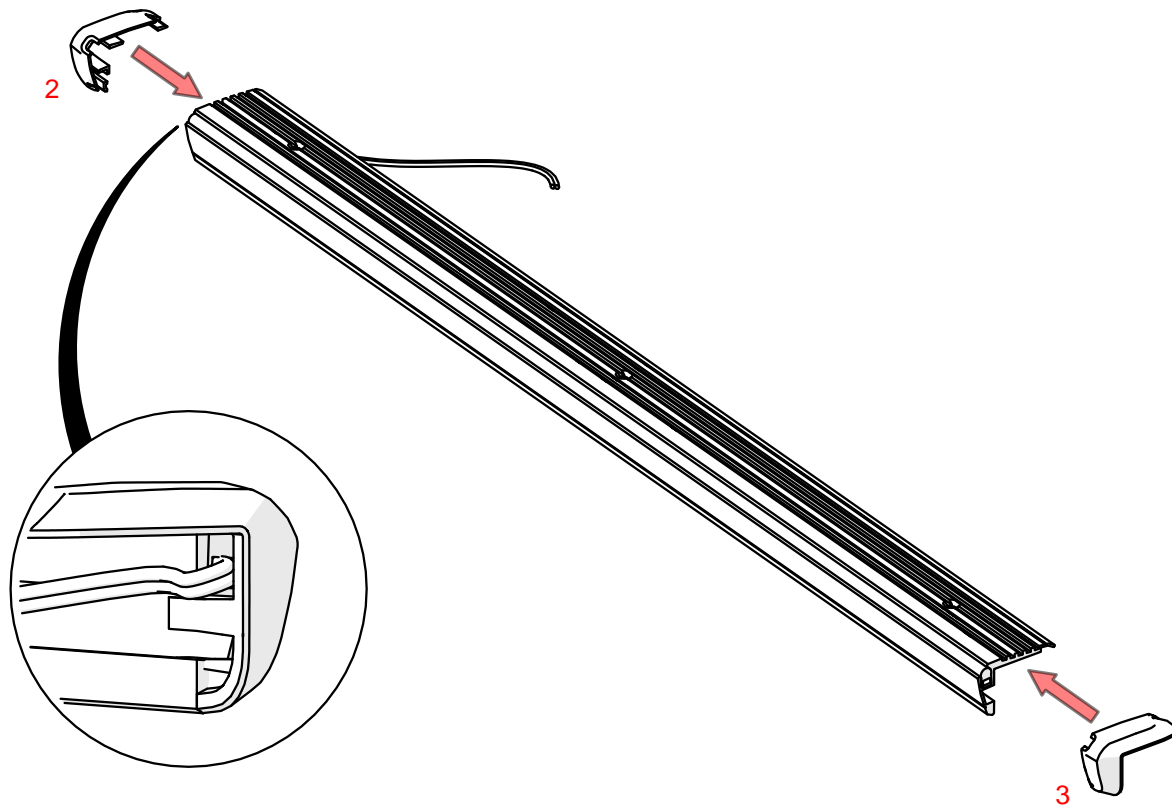
Ila

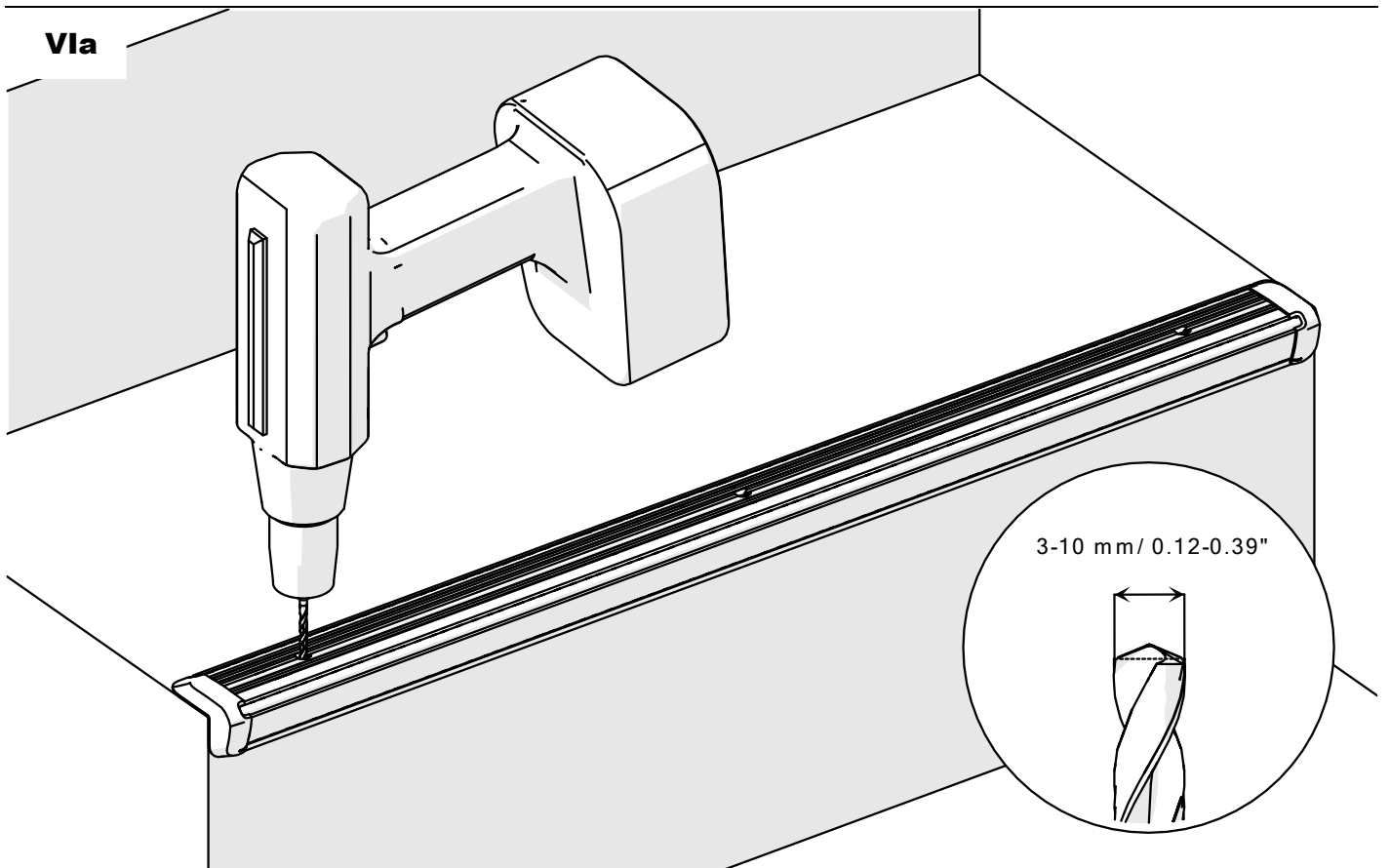
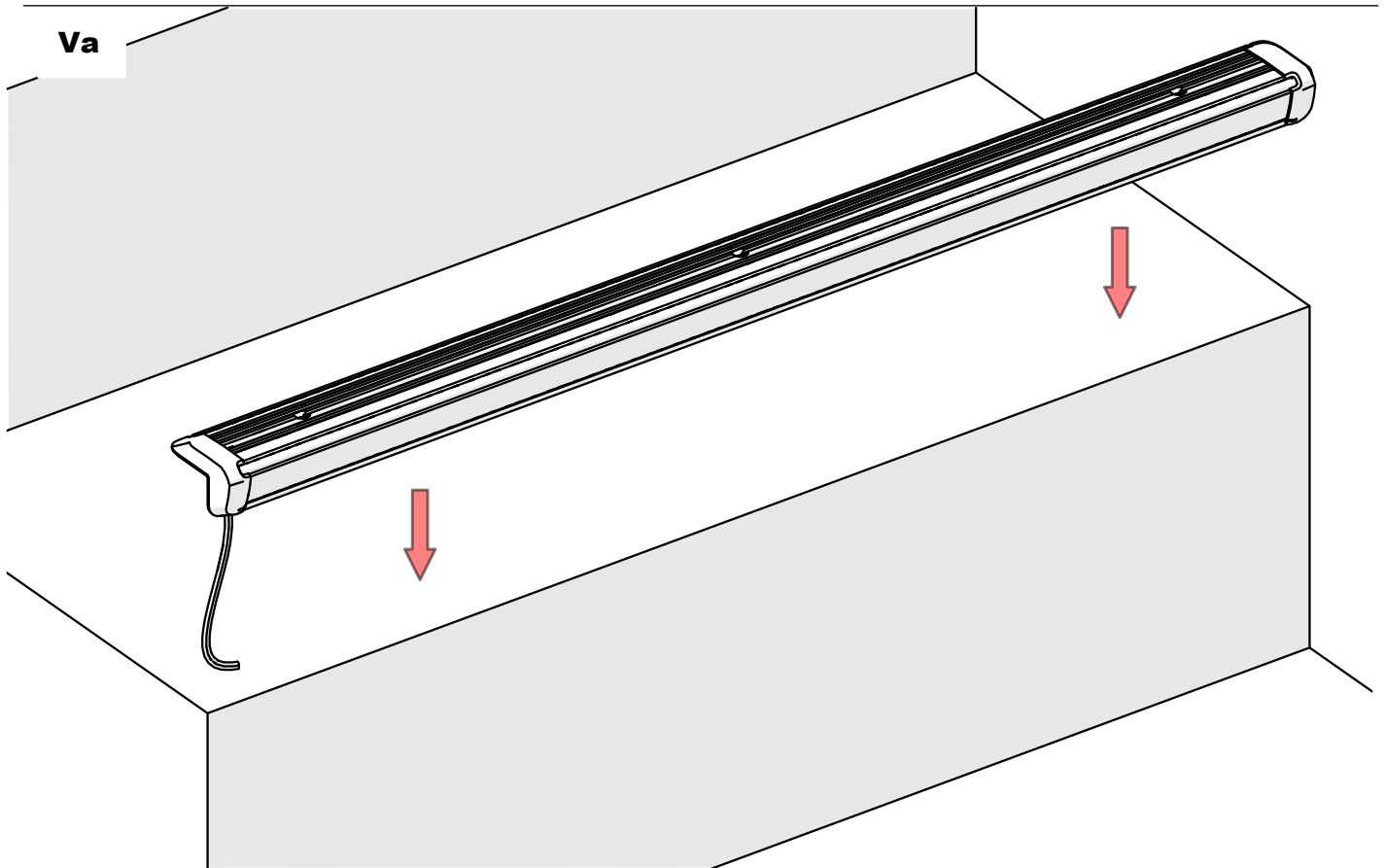


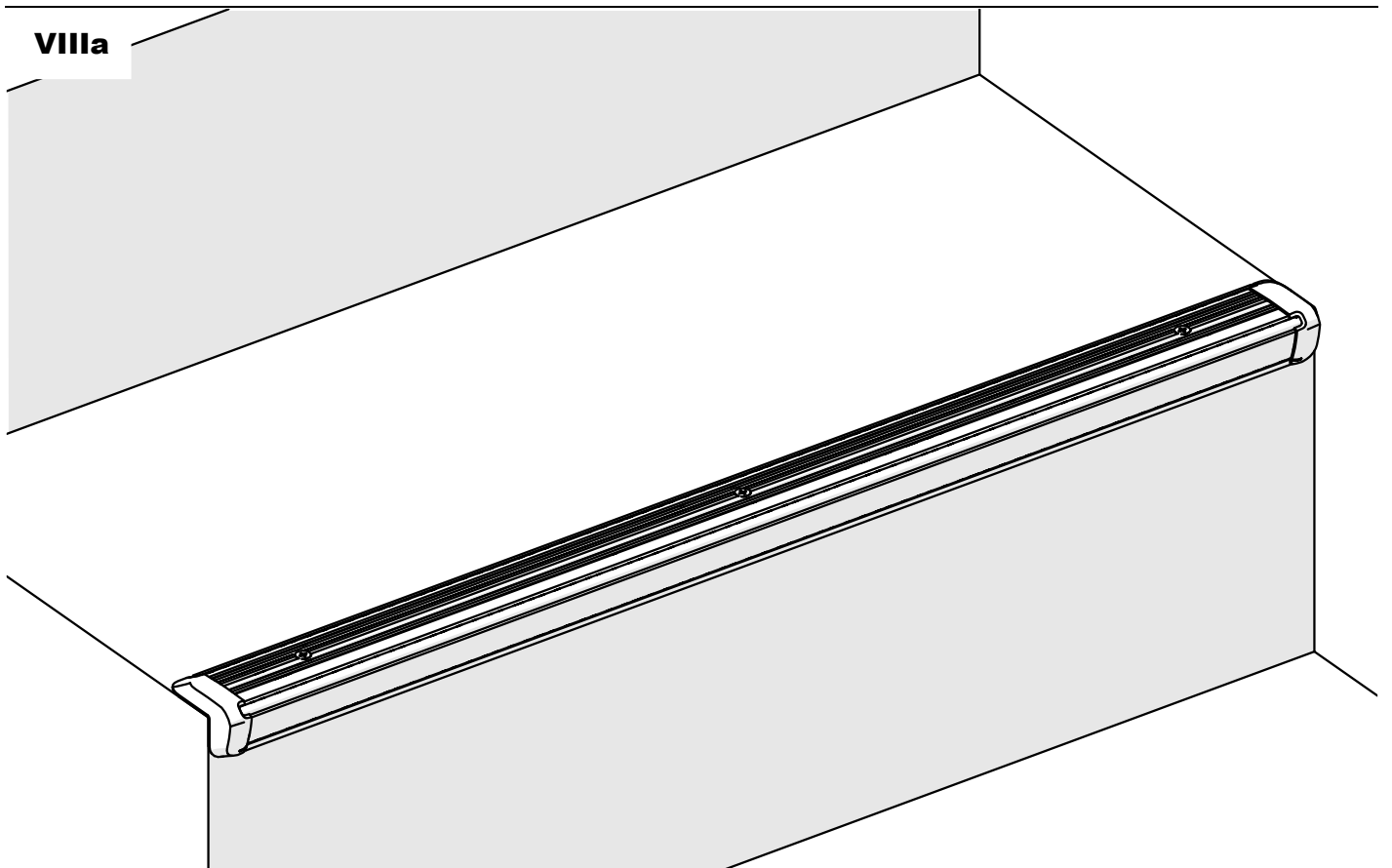
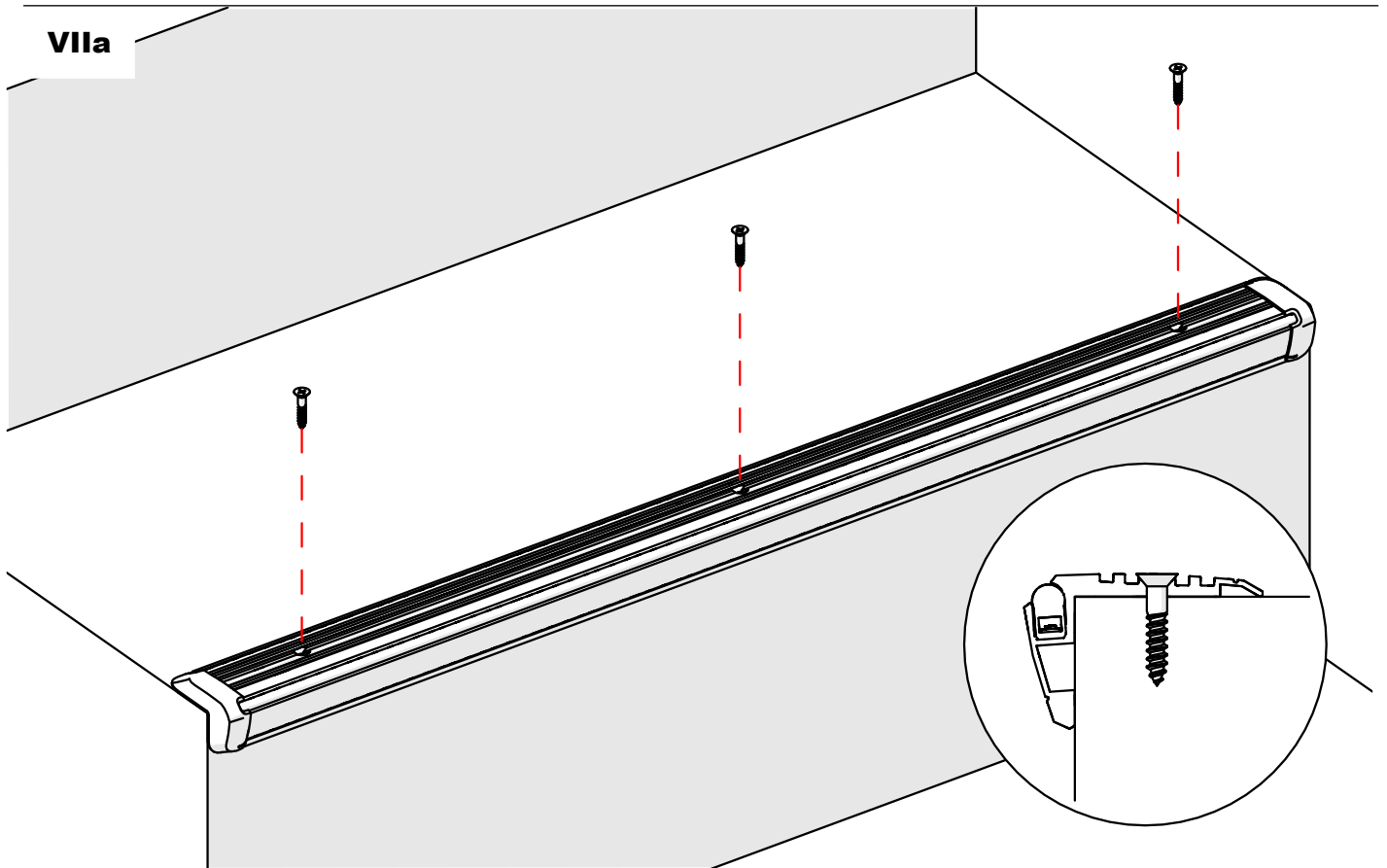
IIIa 24VDC

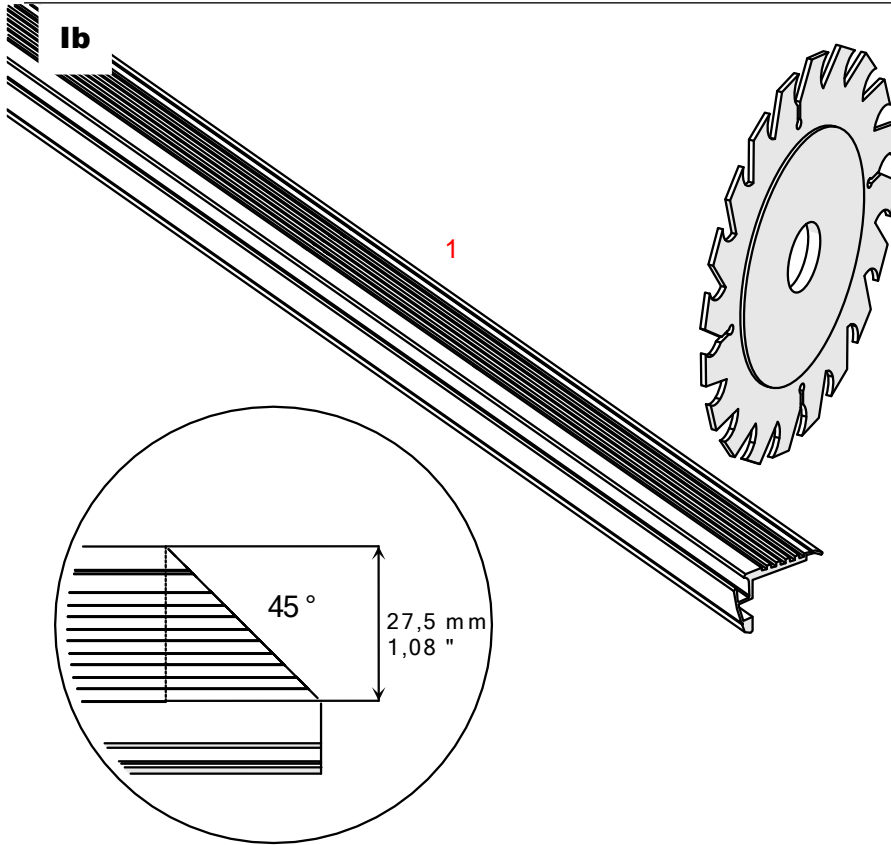


IVa

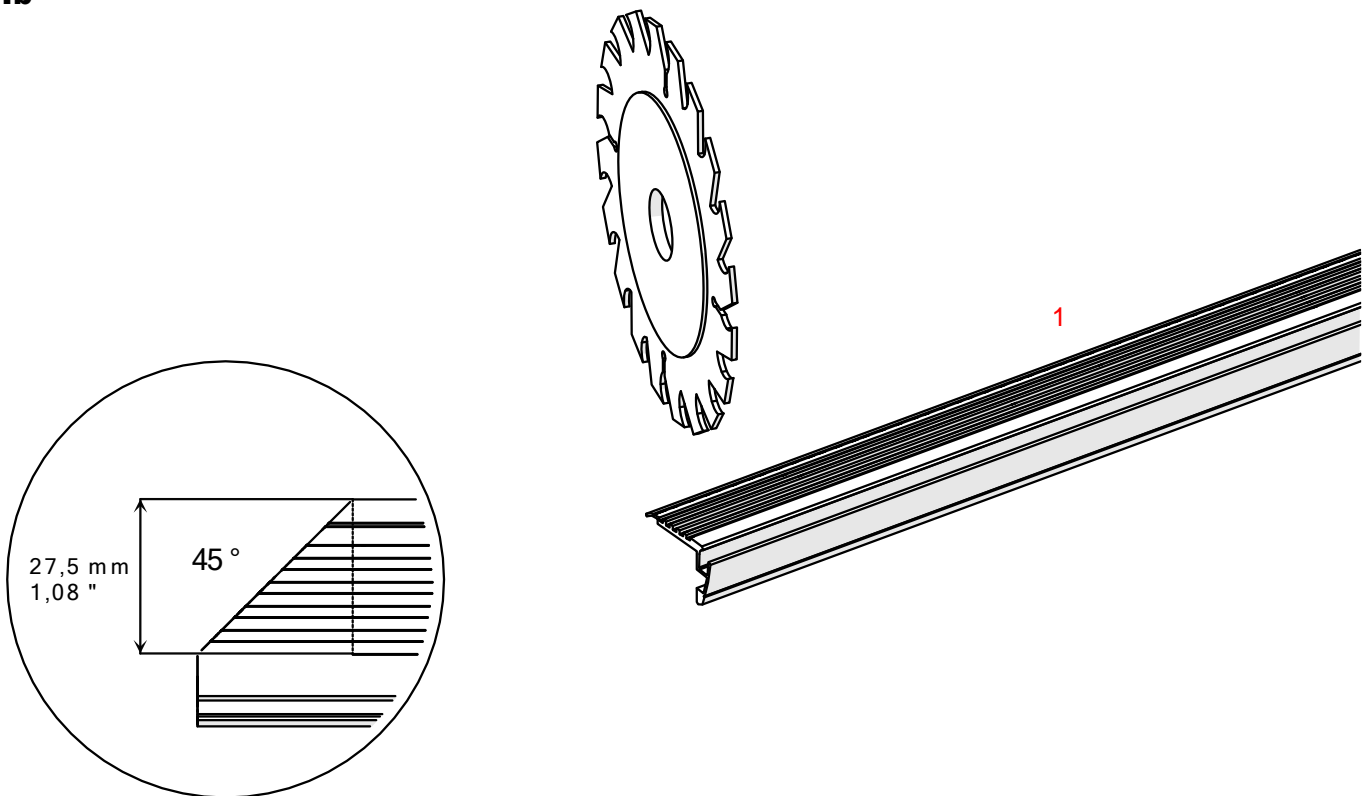


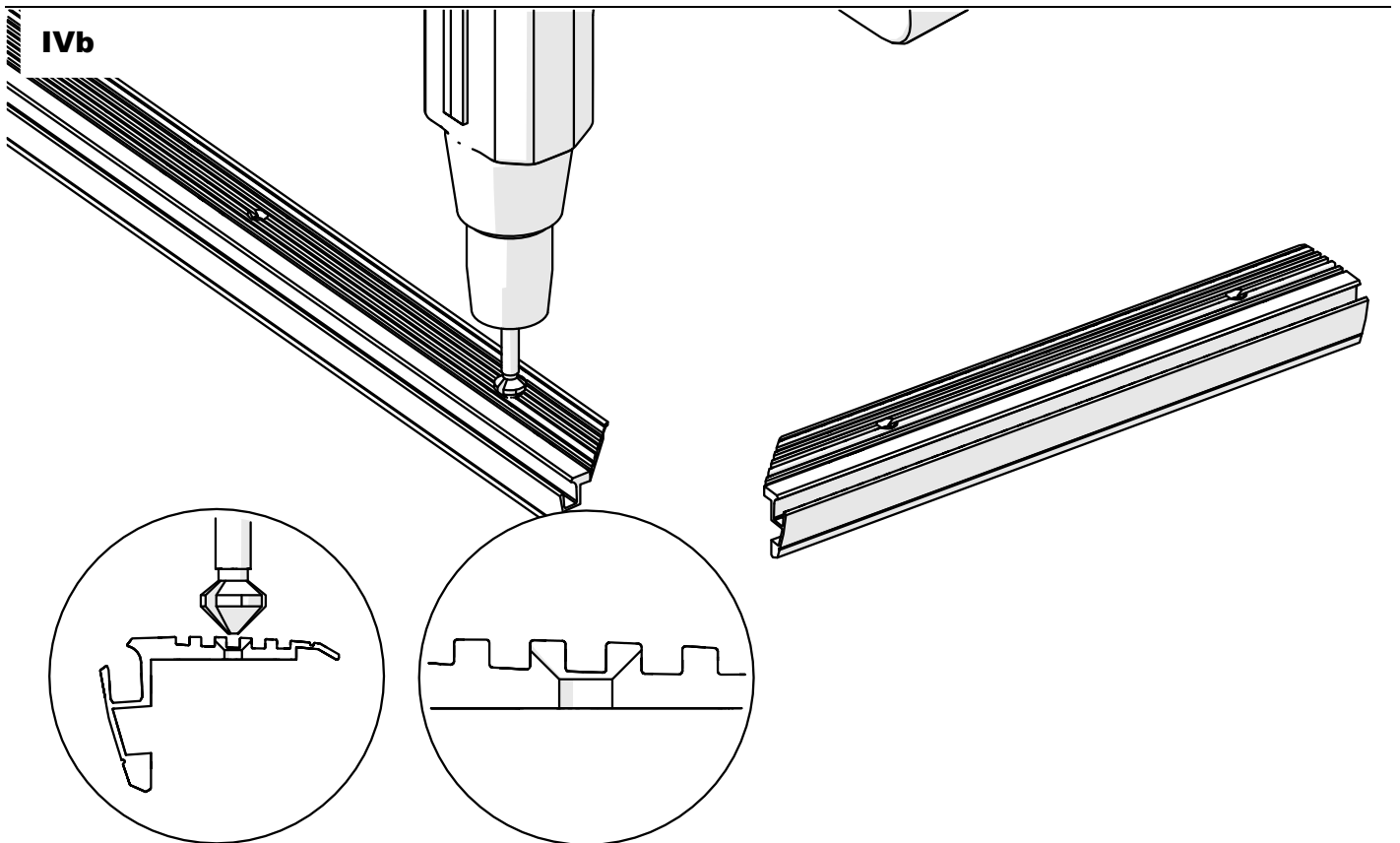
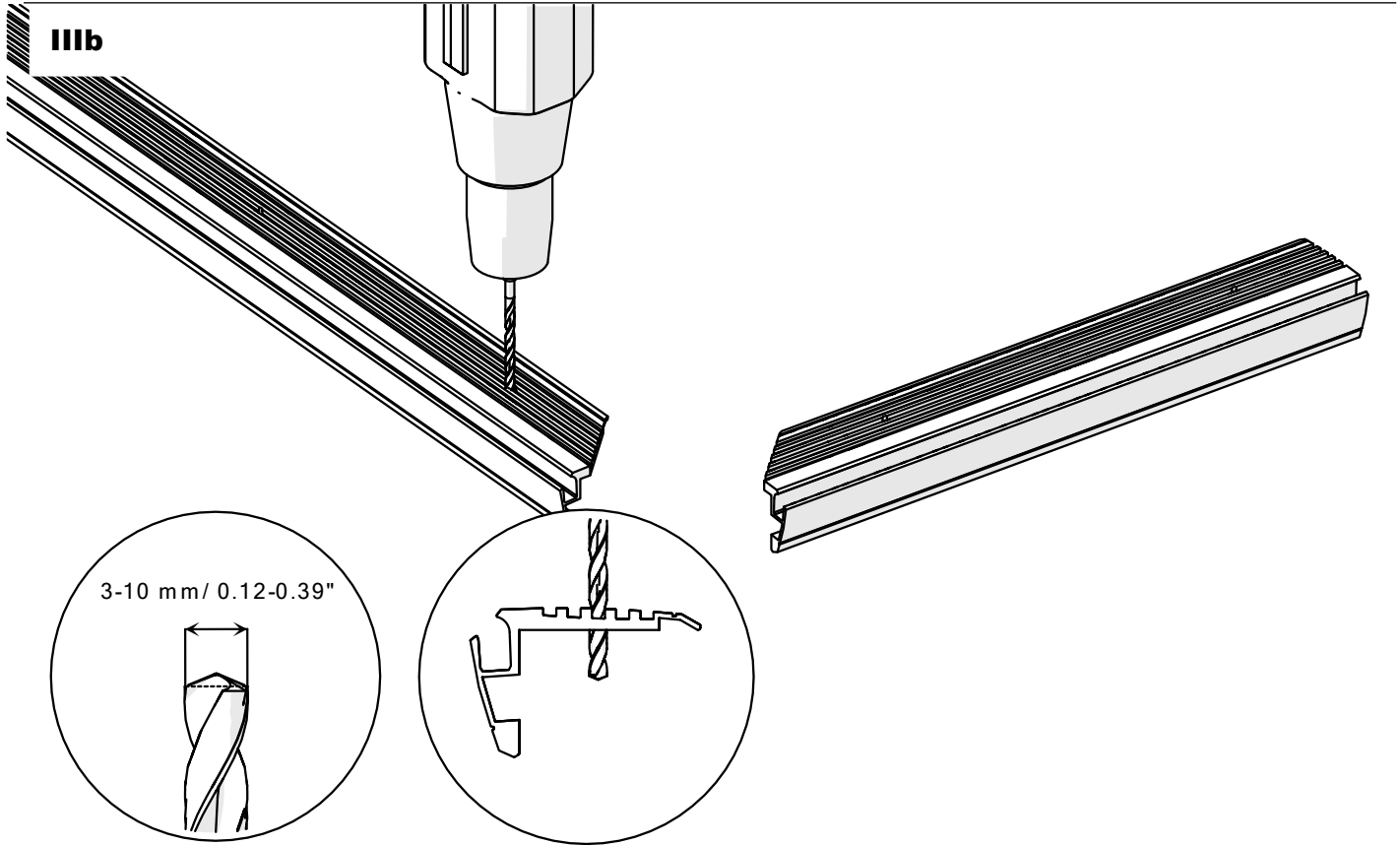


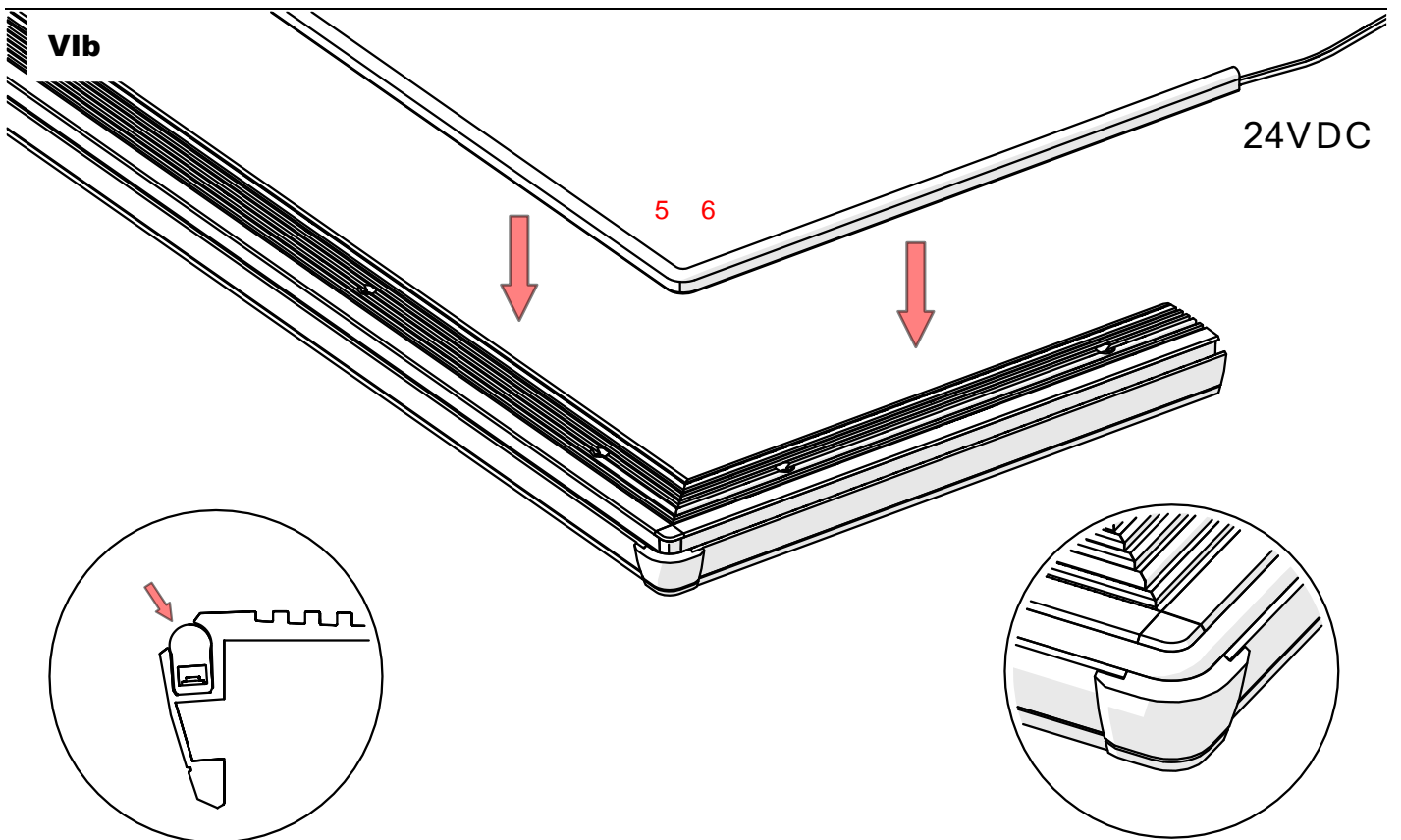
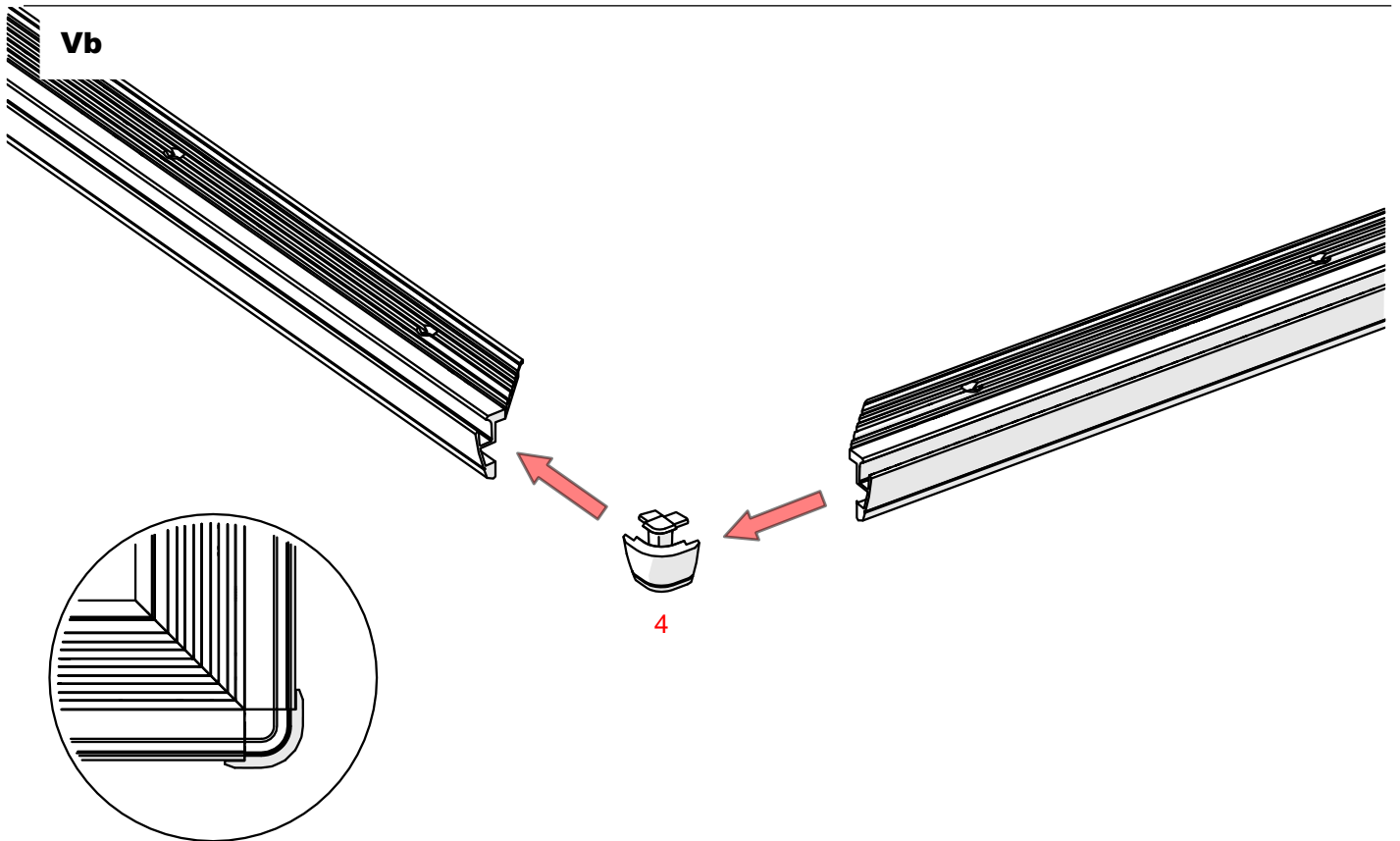




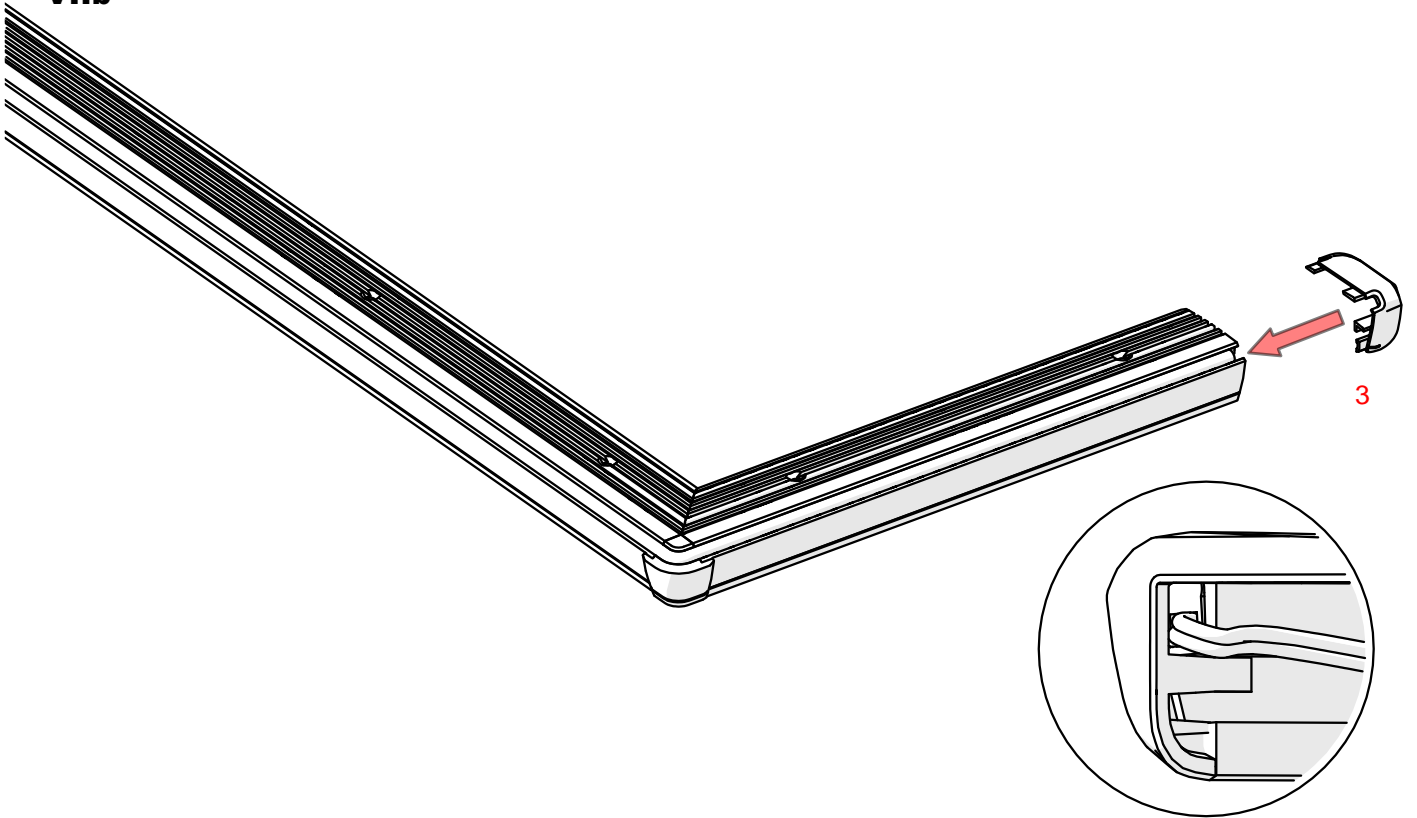
IIb



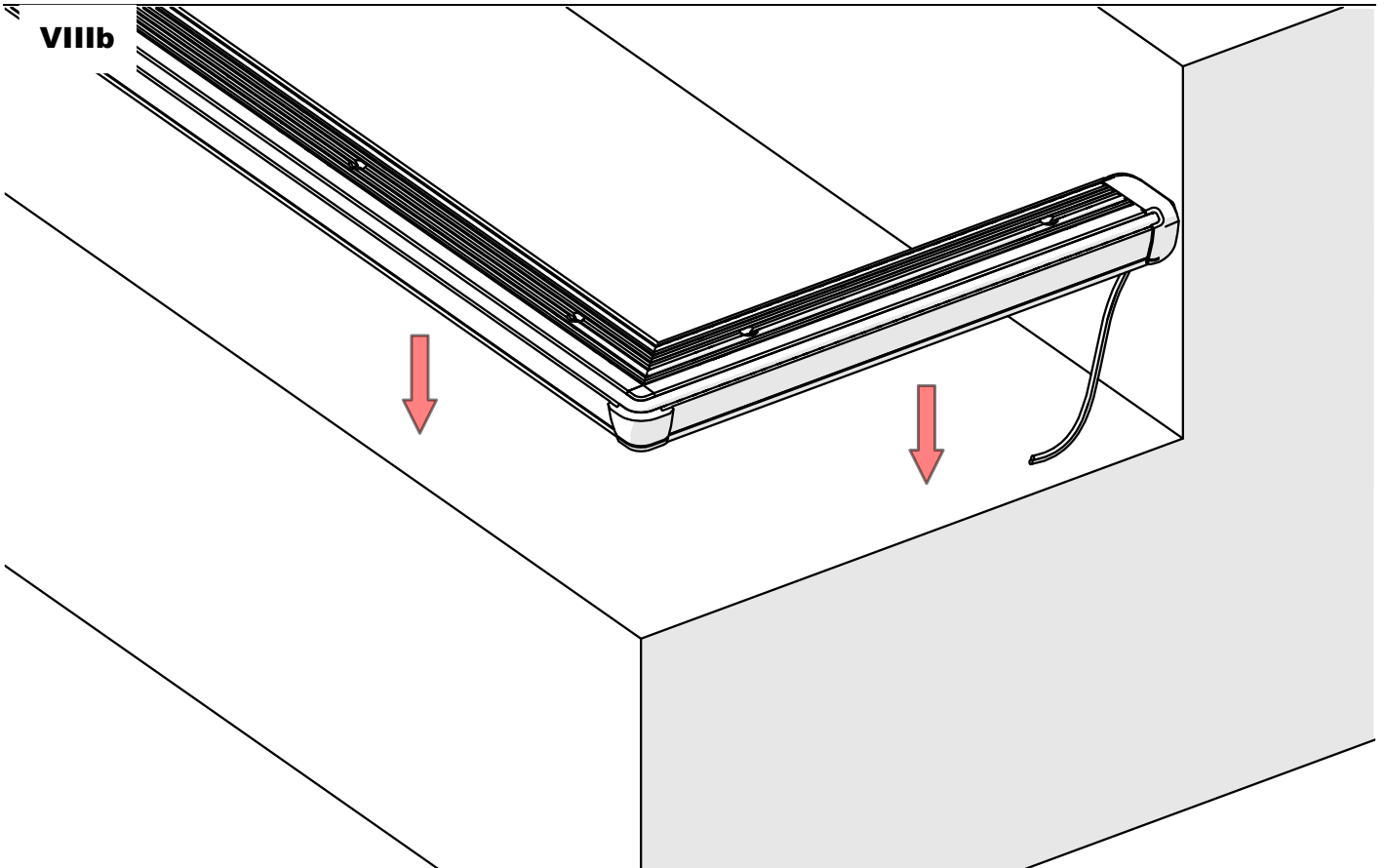




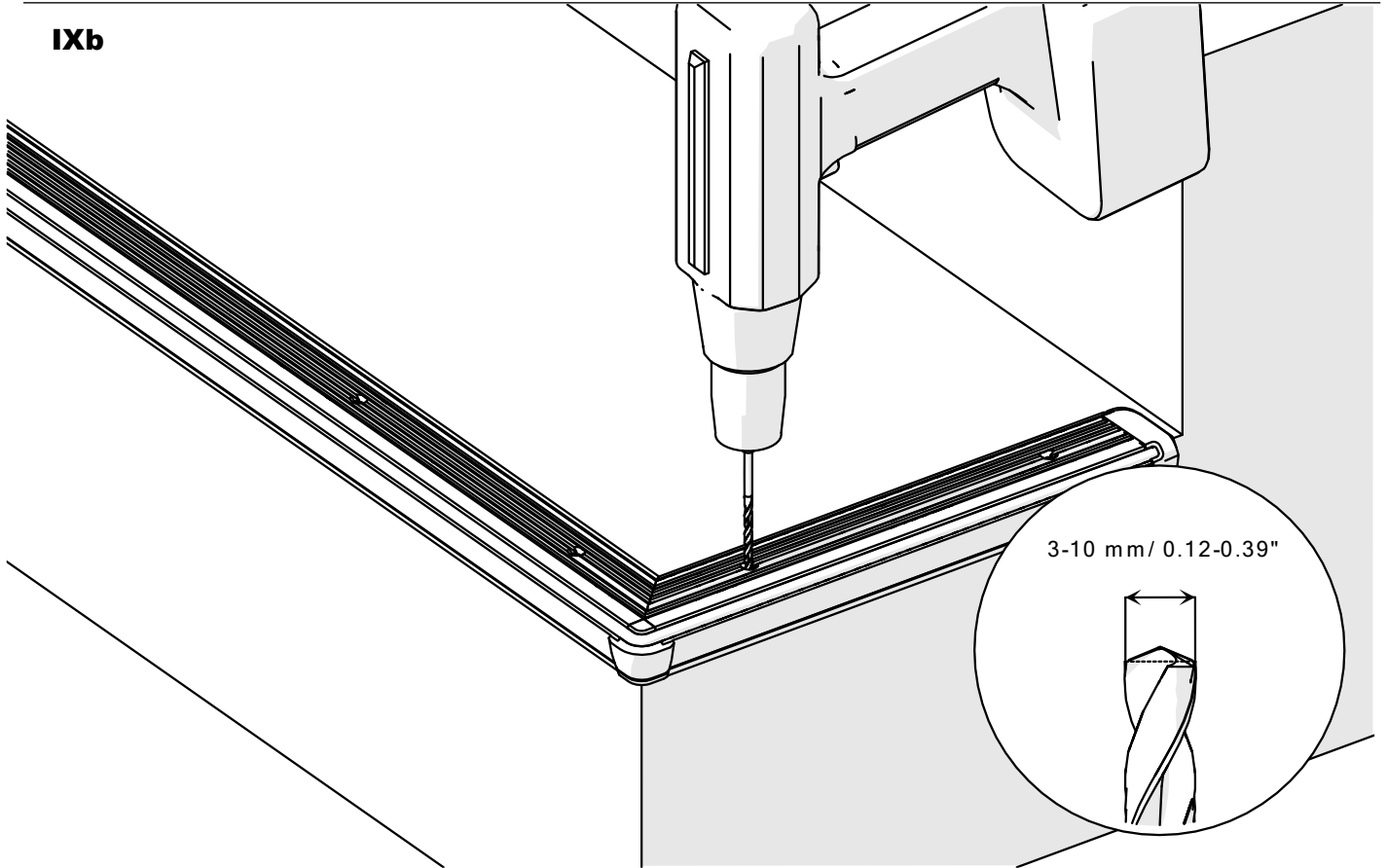
VIIb



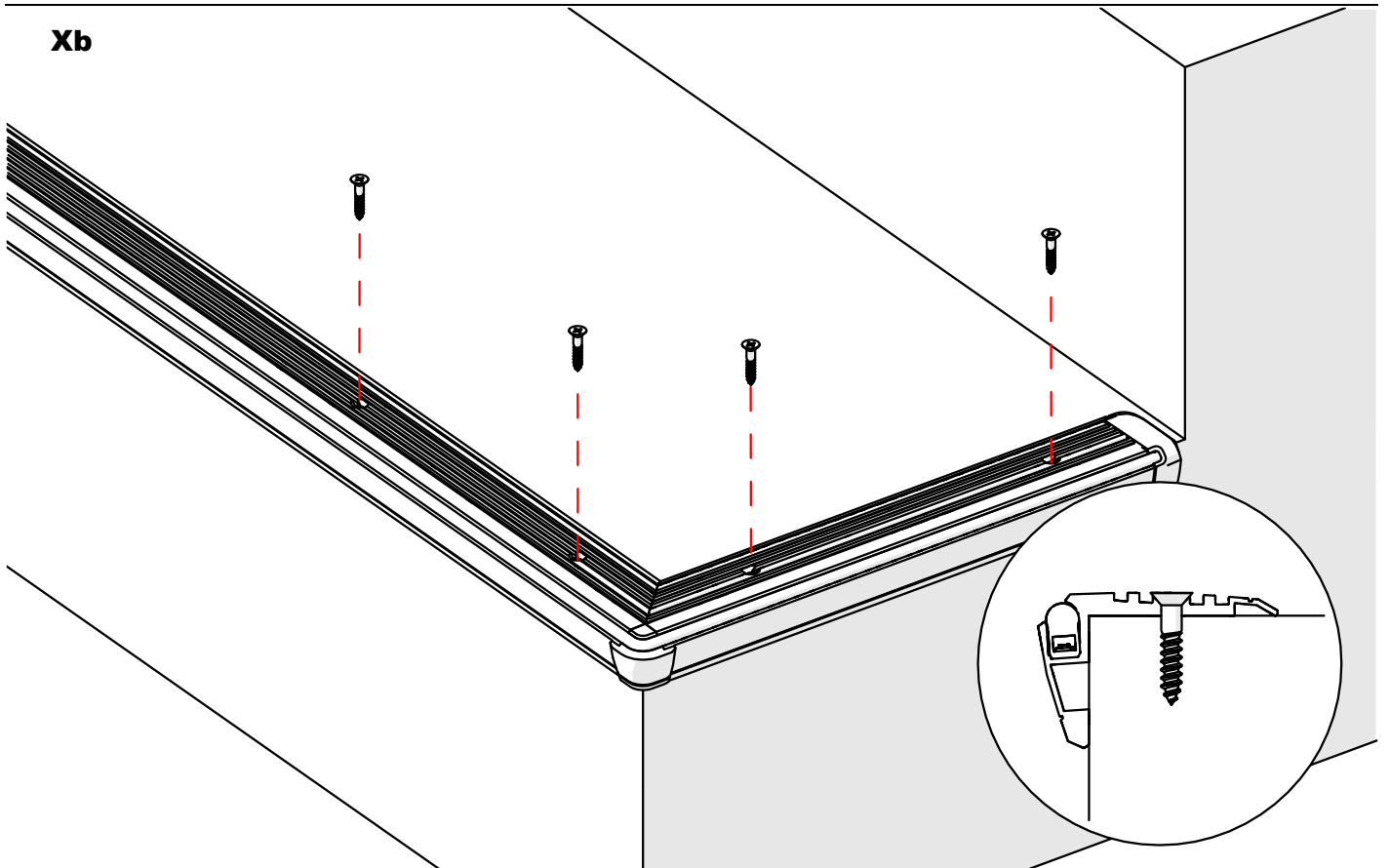
VIIIb



IXb



Xb



X1b

