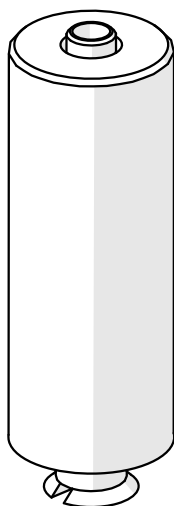
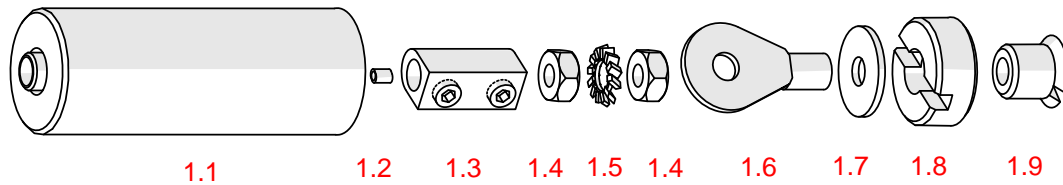


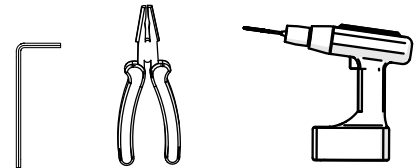
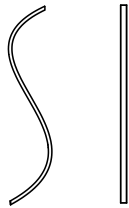
## Fastener PUSZ-MR





1x

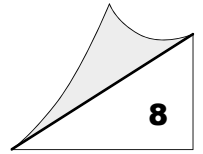
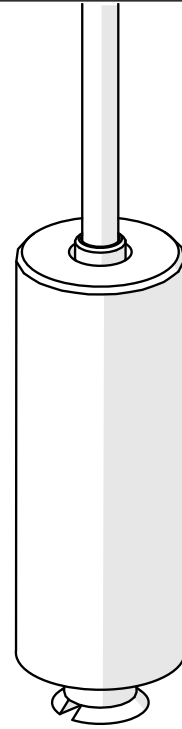
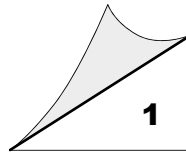
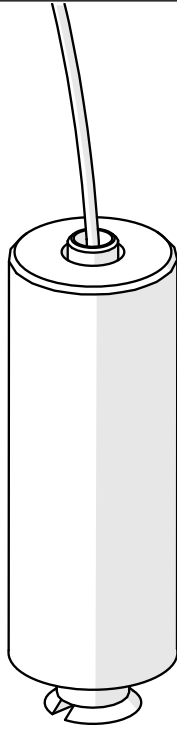
**DOES NOT INCLUDE**



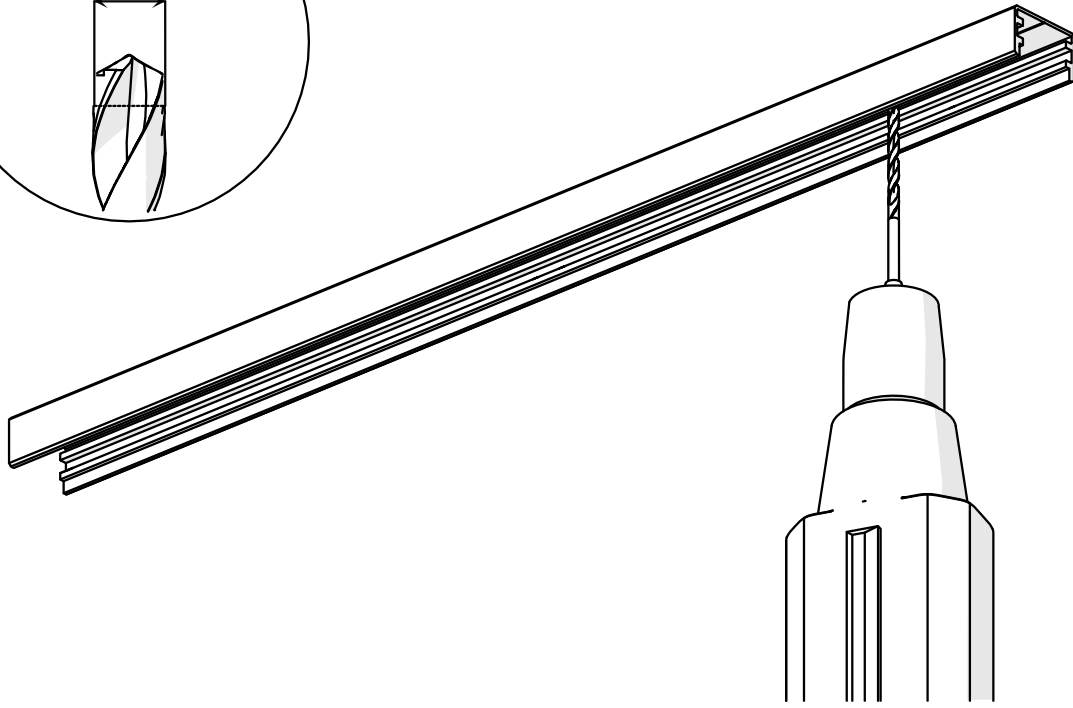
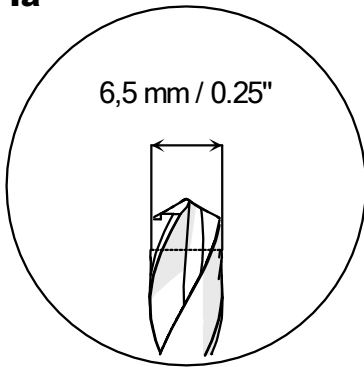
Fastener PUSZ-MR (ref. C20011)

- 1.1 PUSZ head
- 1.2 Sleeve for the cable clamp
- 1.3 Conductive terminal block with screws
- 1.4 Nut M3
- 1.5 Locking washer M3
- 1.6 Power connector dia. 3
- 1.7 Pad 3,2
- 1.8 PUSZ head connector
- 1.9 MR hook

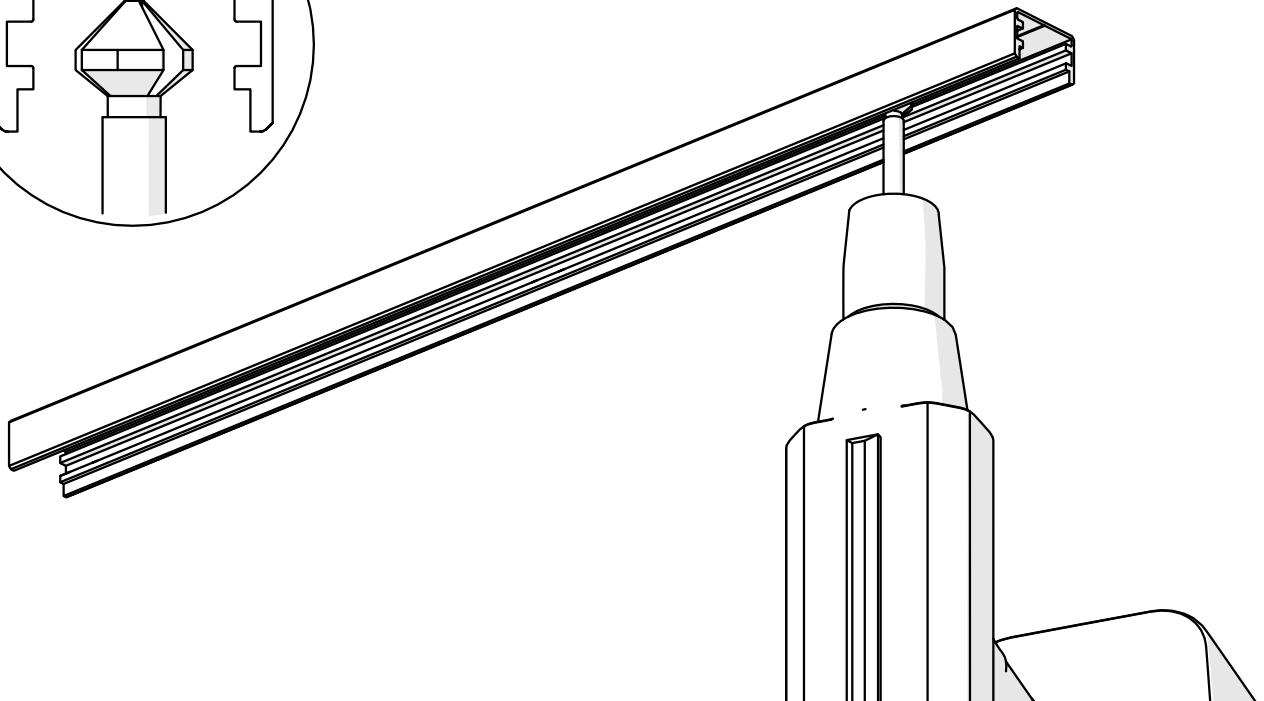
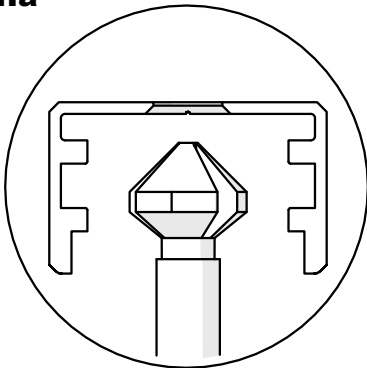
**IMPORTANT:** Not all possible mounting procedures are presented here. More mounting procedures and related accessories can be found at [www.KlusDesign.eu](http://www.KlusDesign.eu). Drawings in these instructions are simplified and only approximate the actual shapes.



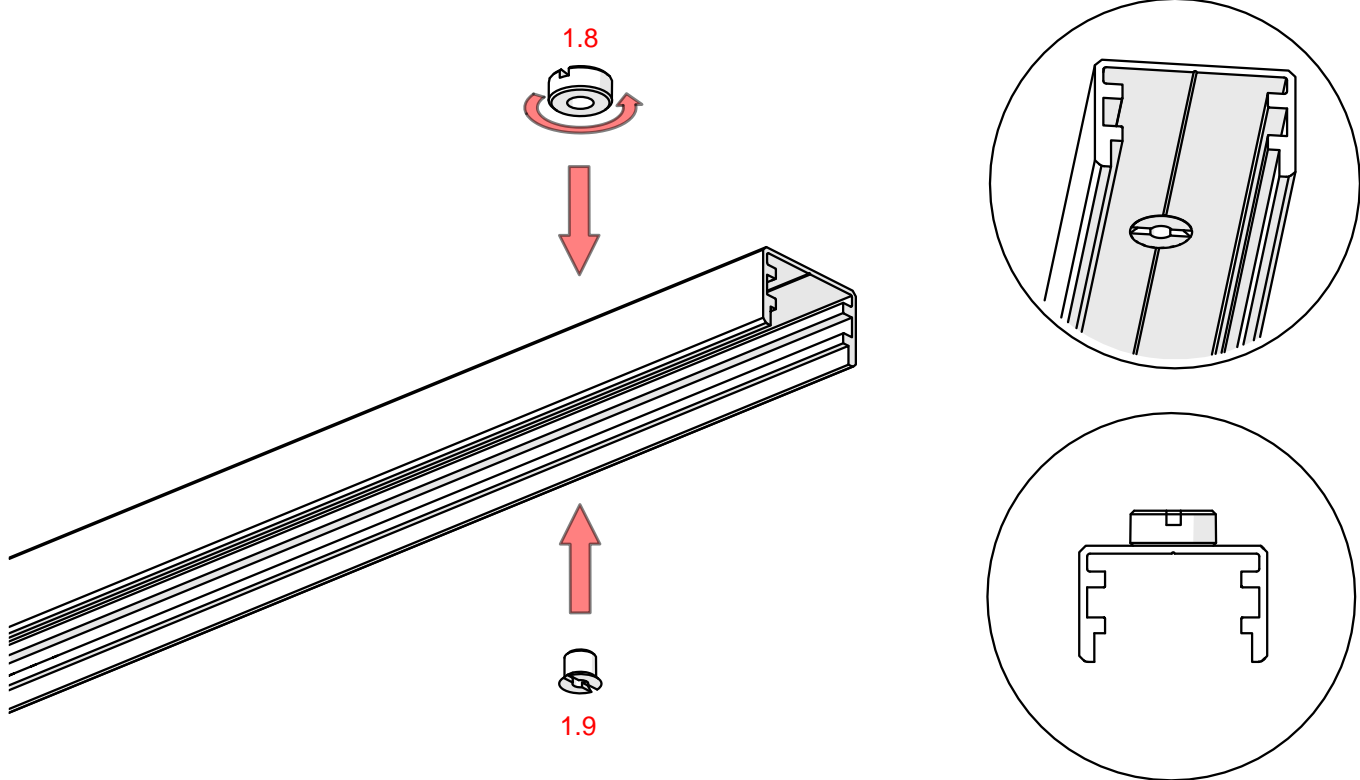
**Ia**



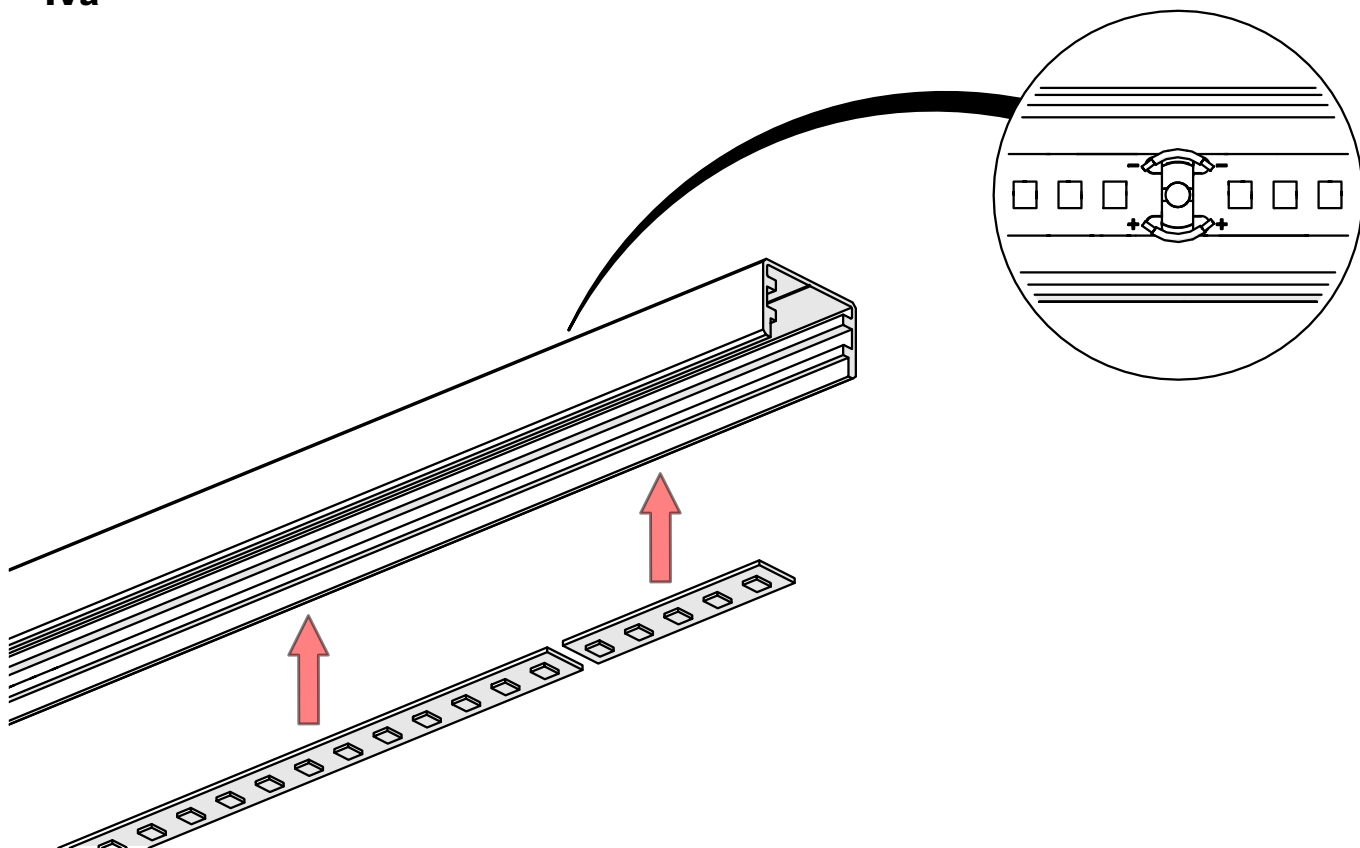
**Ila**



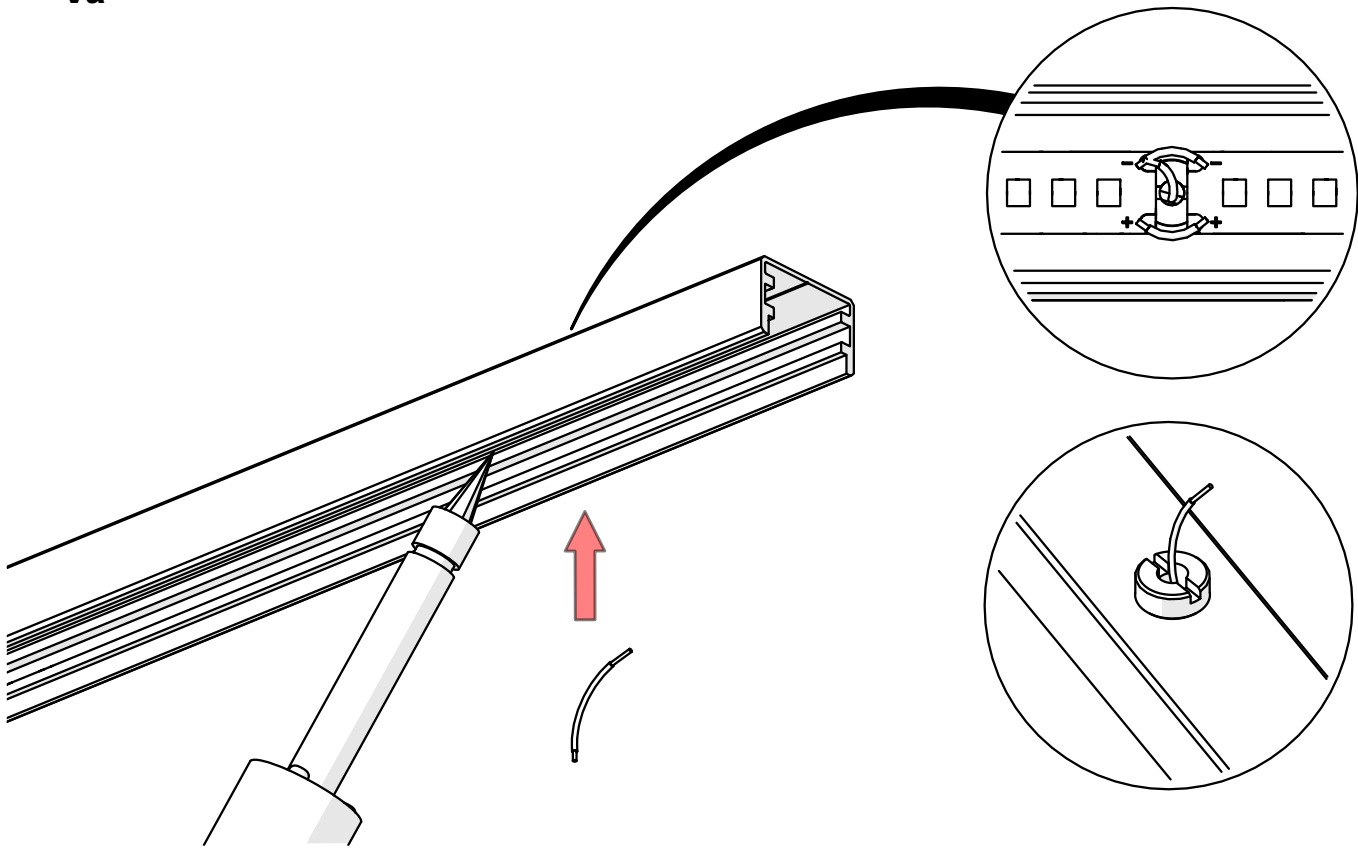
**IIIa**



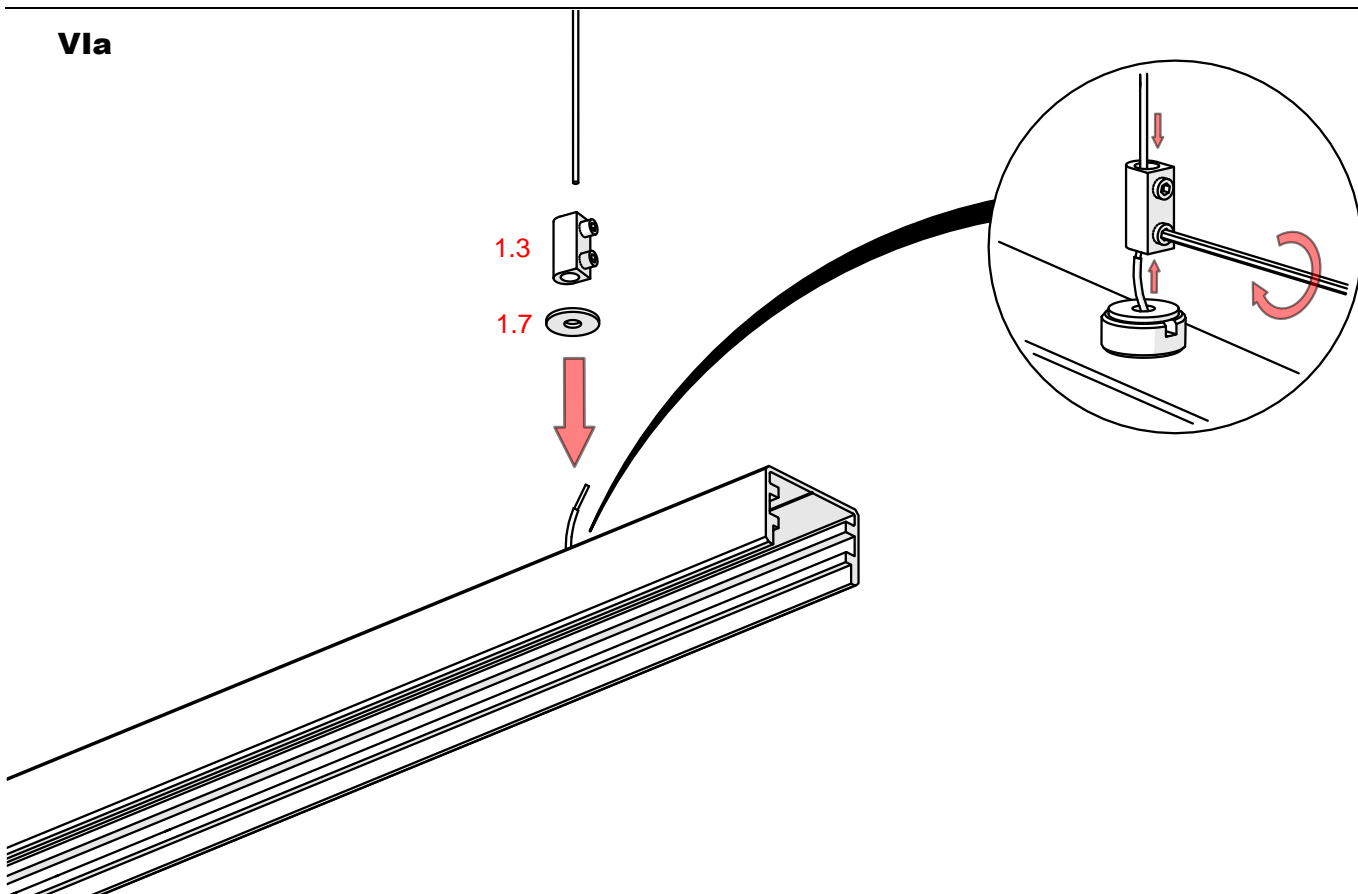
**IVa**



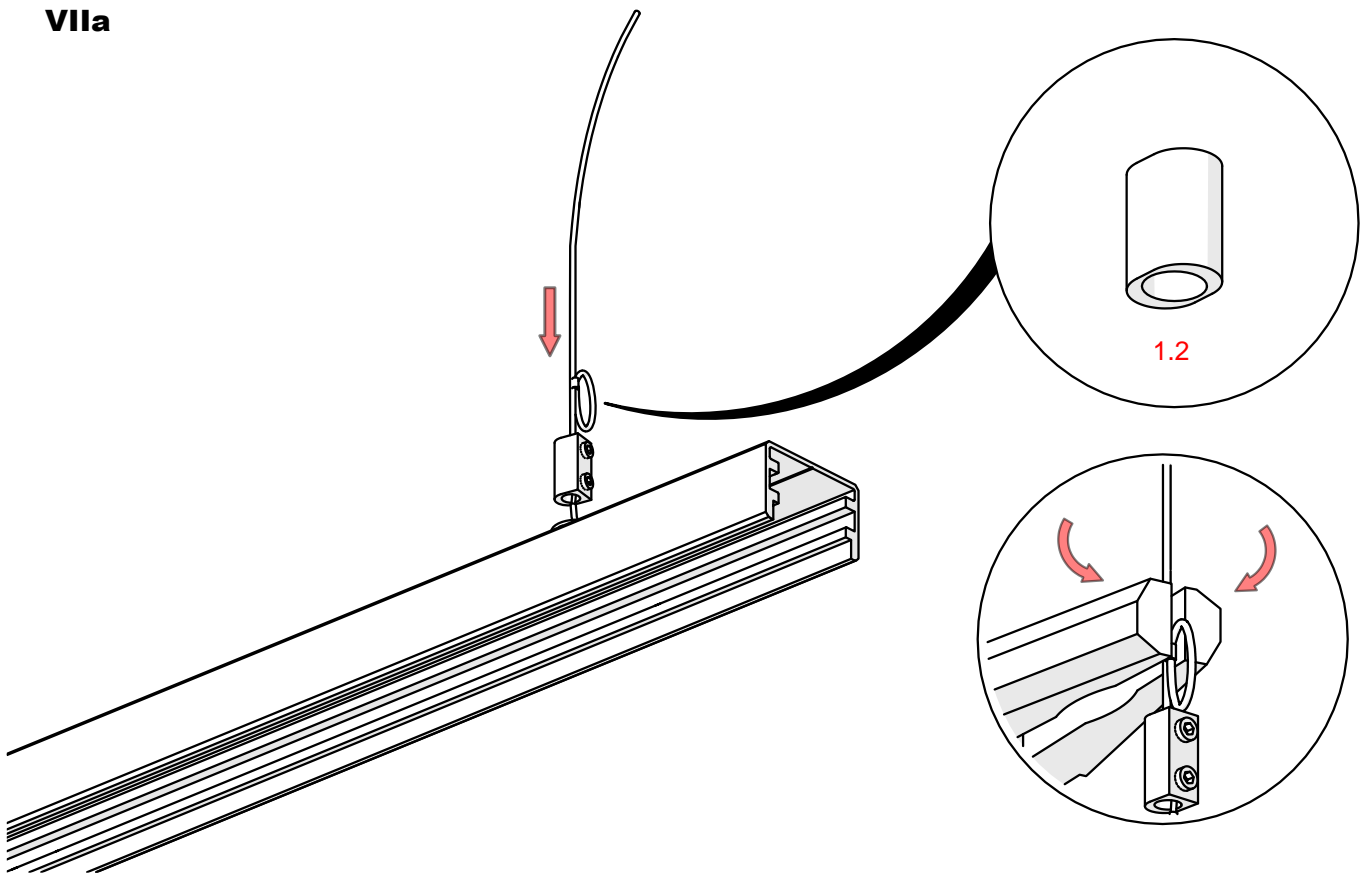
**Va**



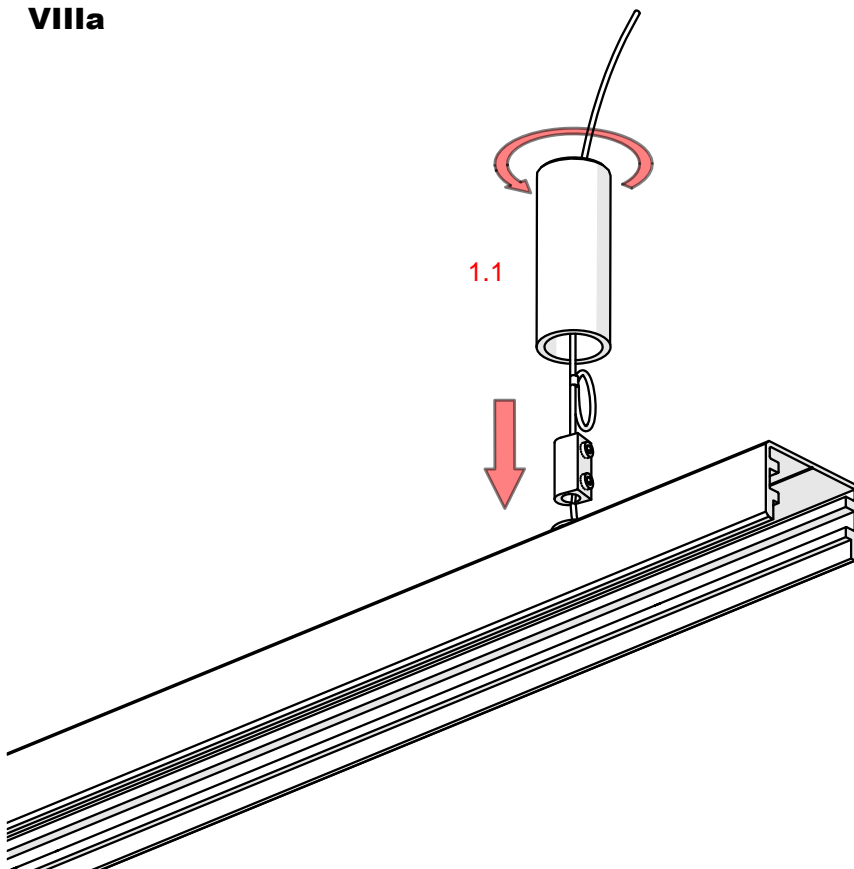
**Vla**



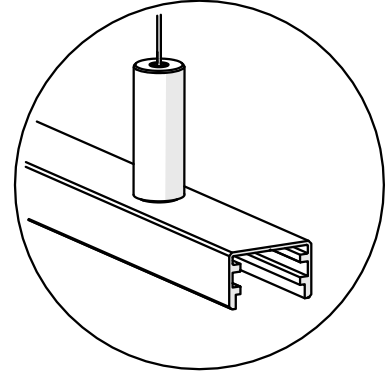
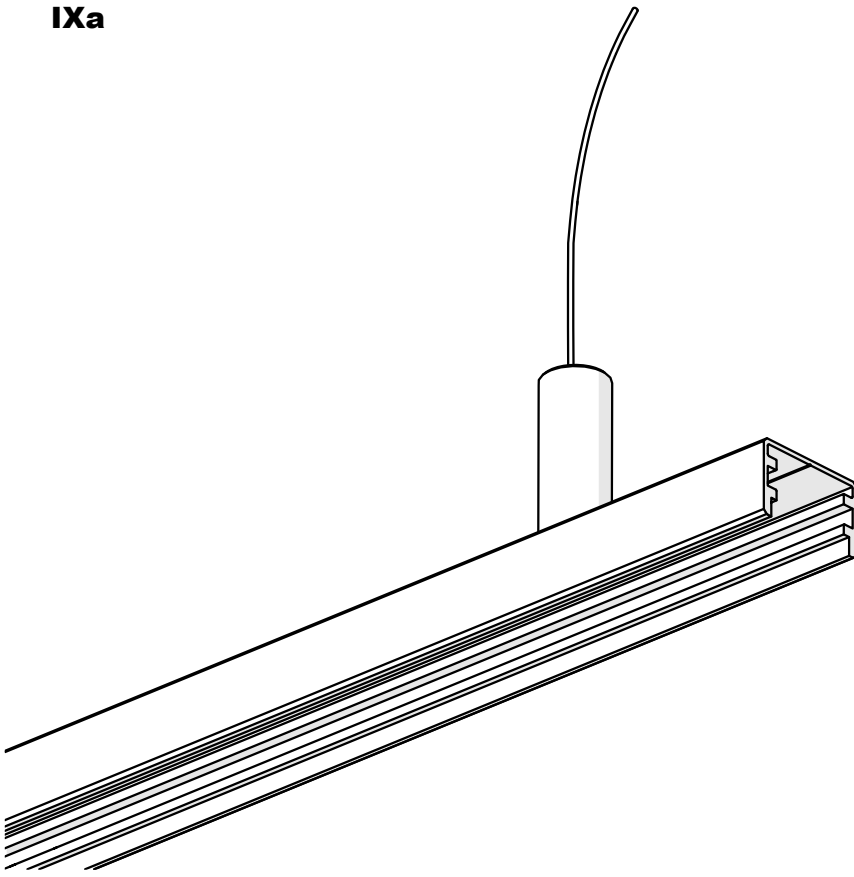
**VIIa**



**VIIIa**

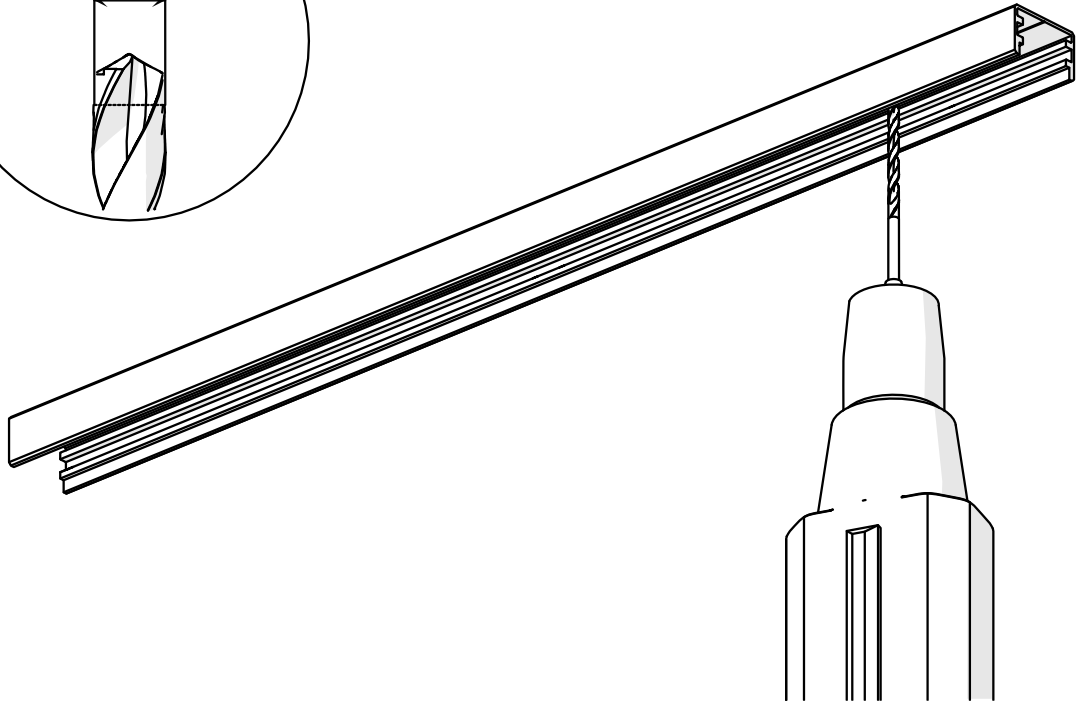
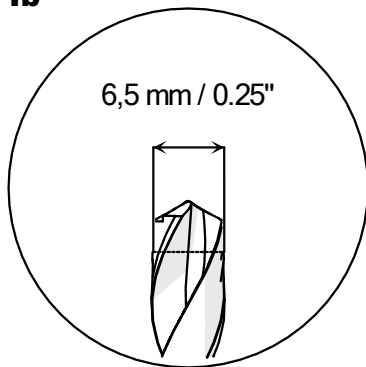


**IXa**

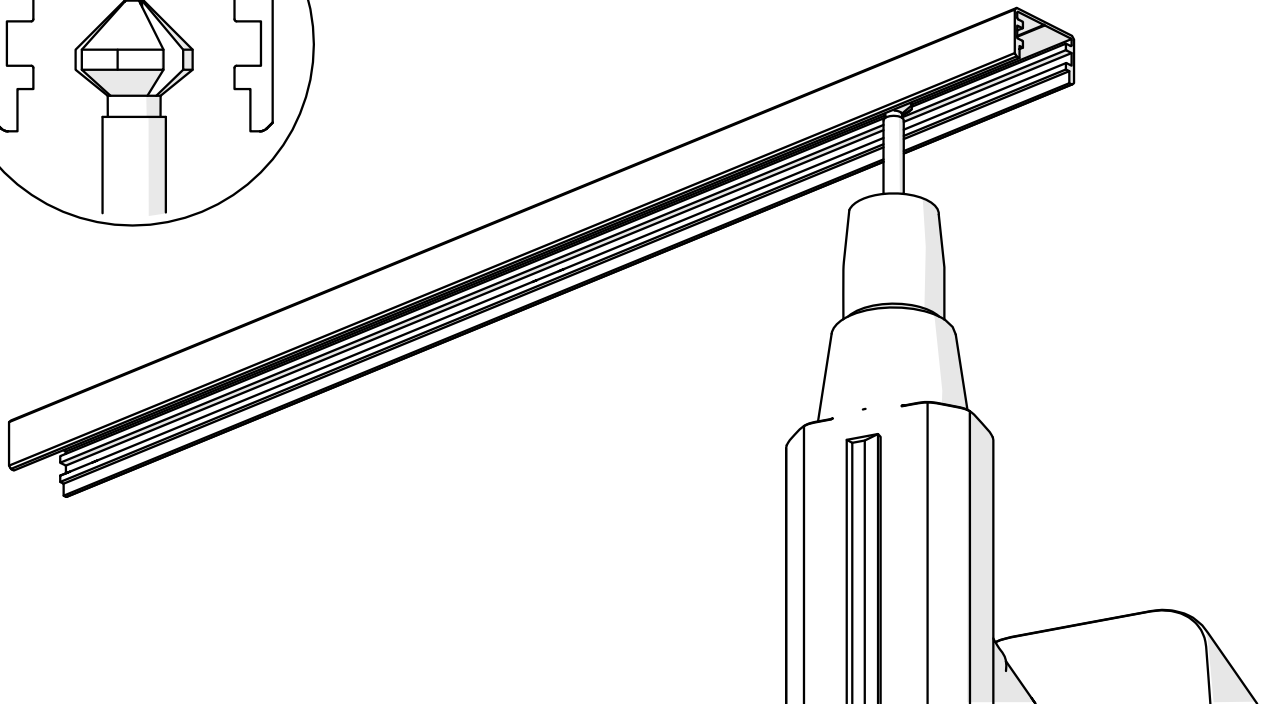
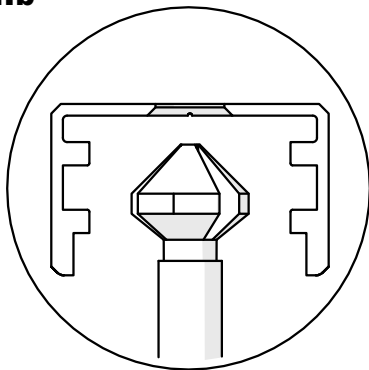




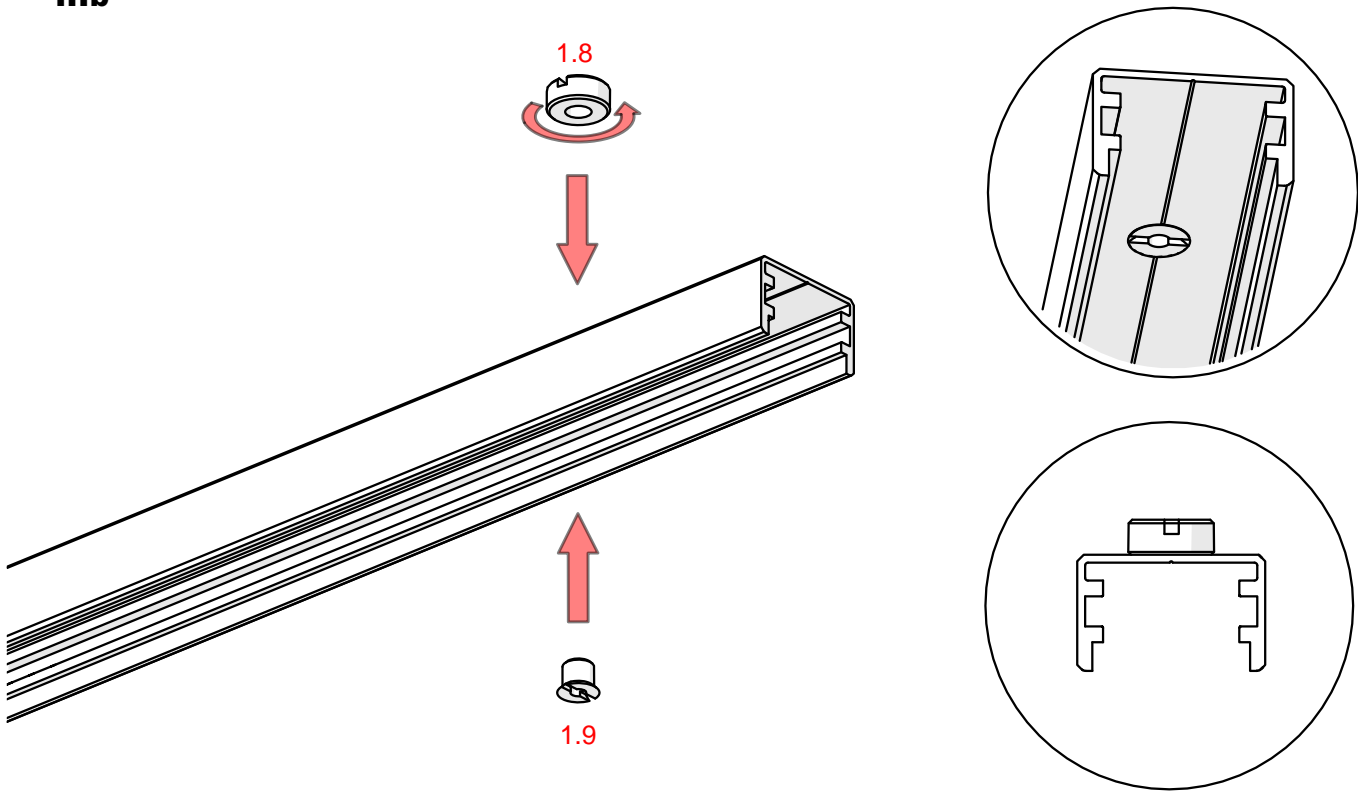
**Ib**



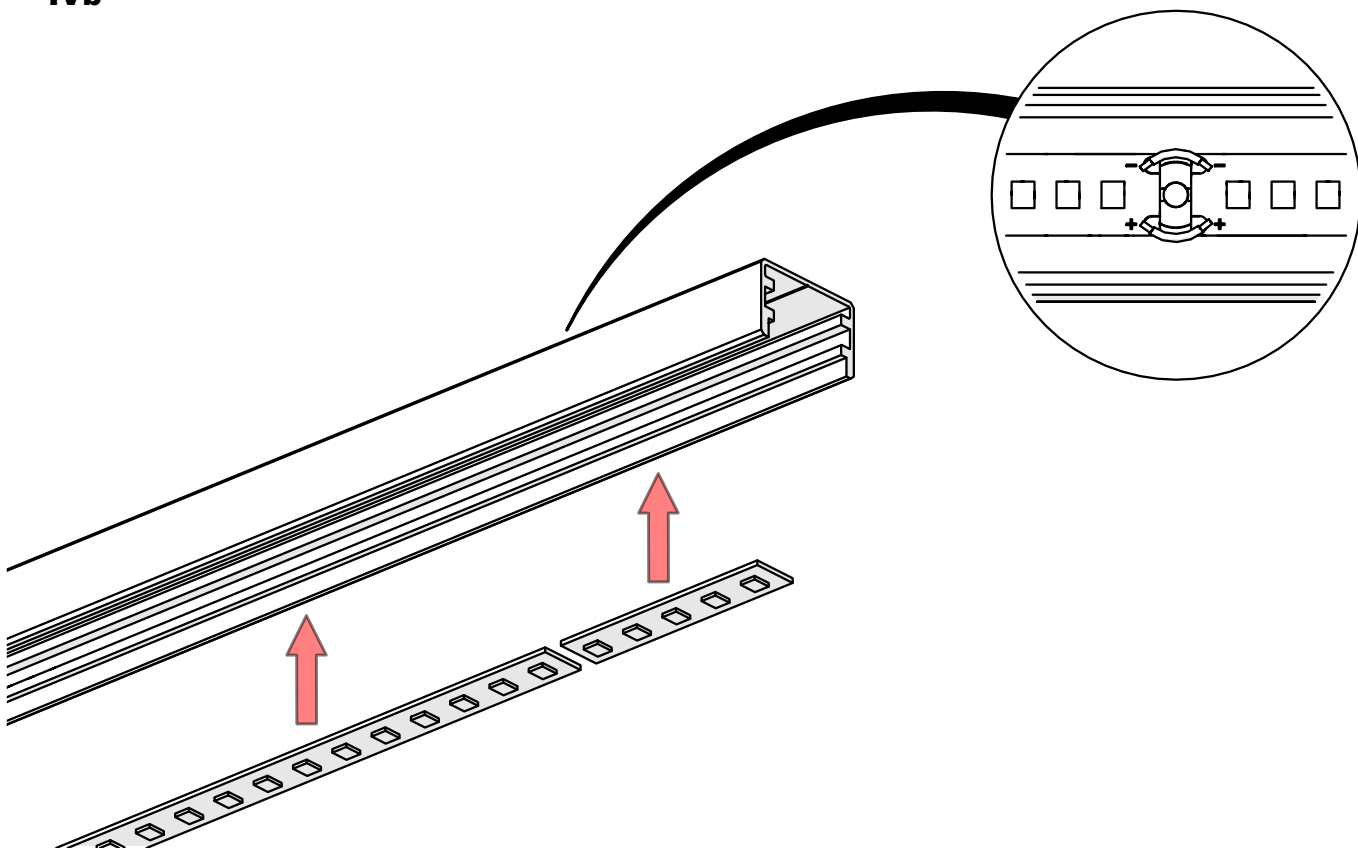
**IIb**



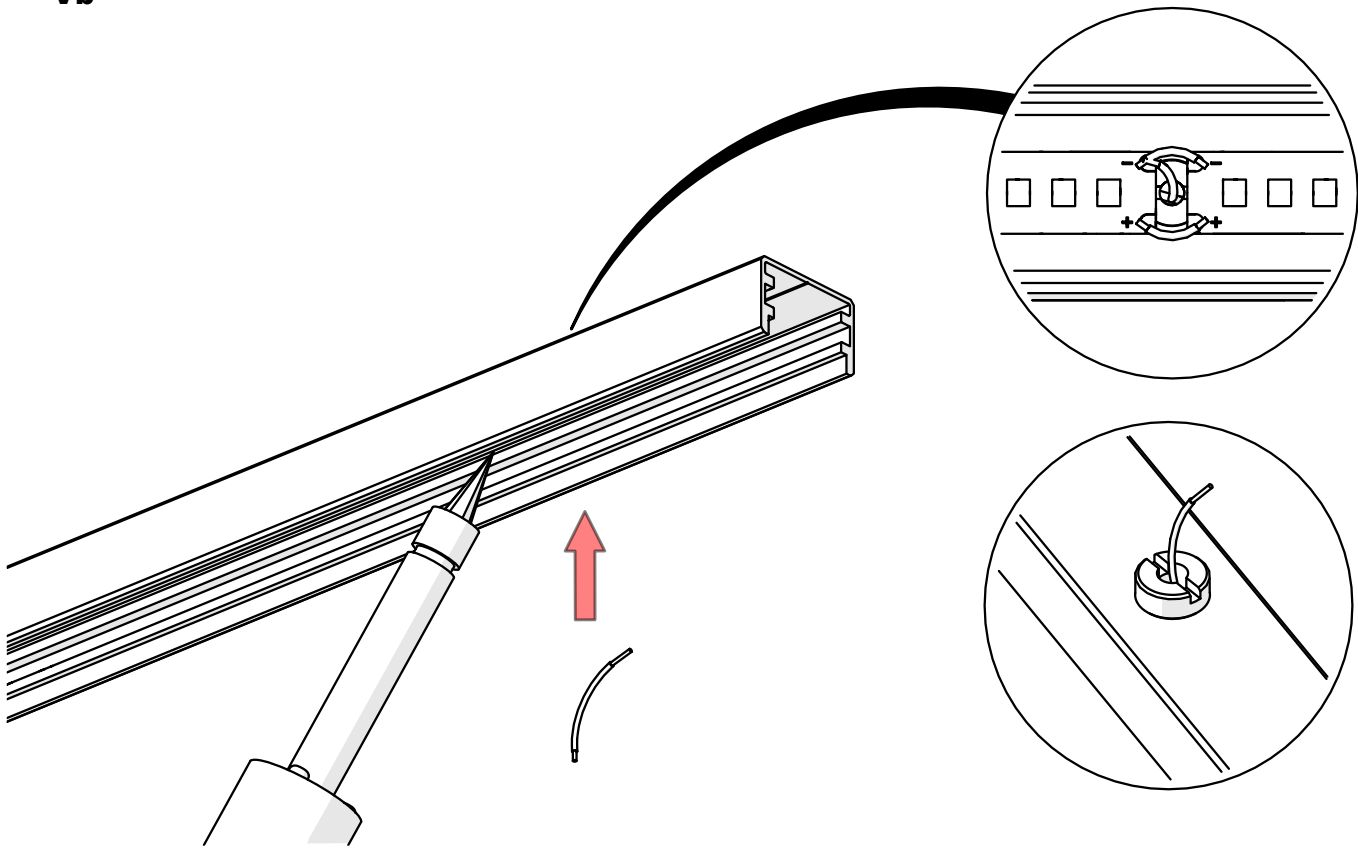
**IIIb**



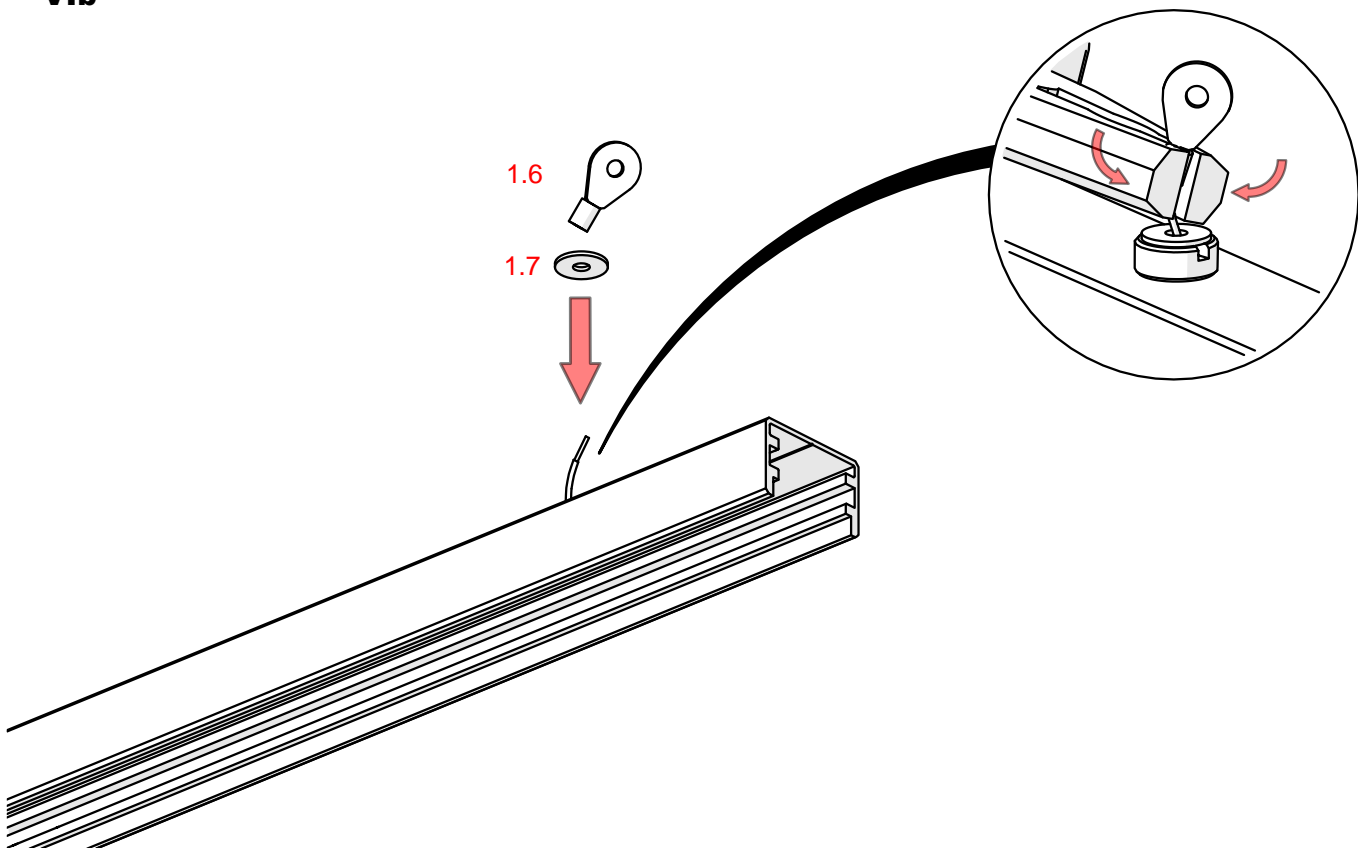
**IVb**



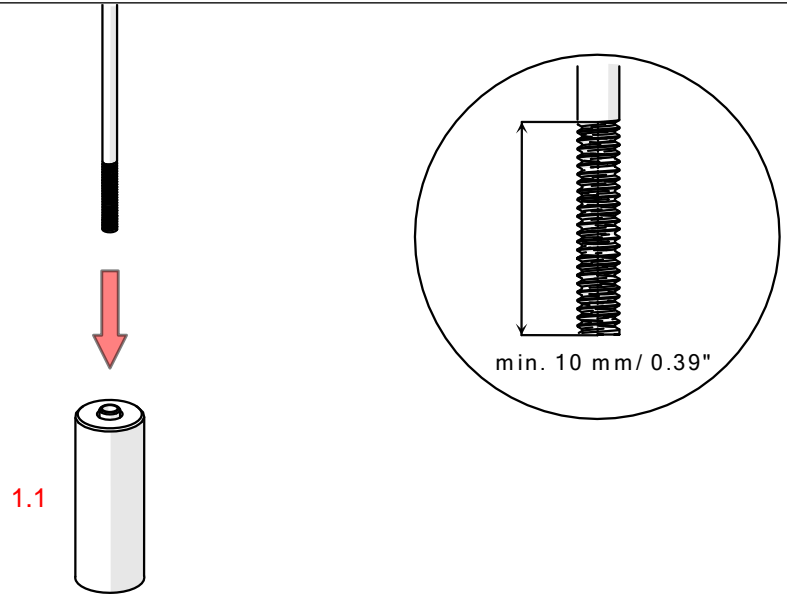
**Vb**



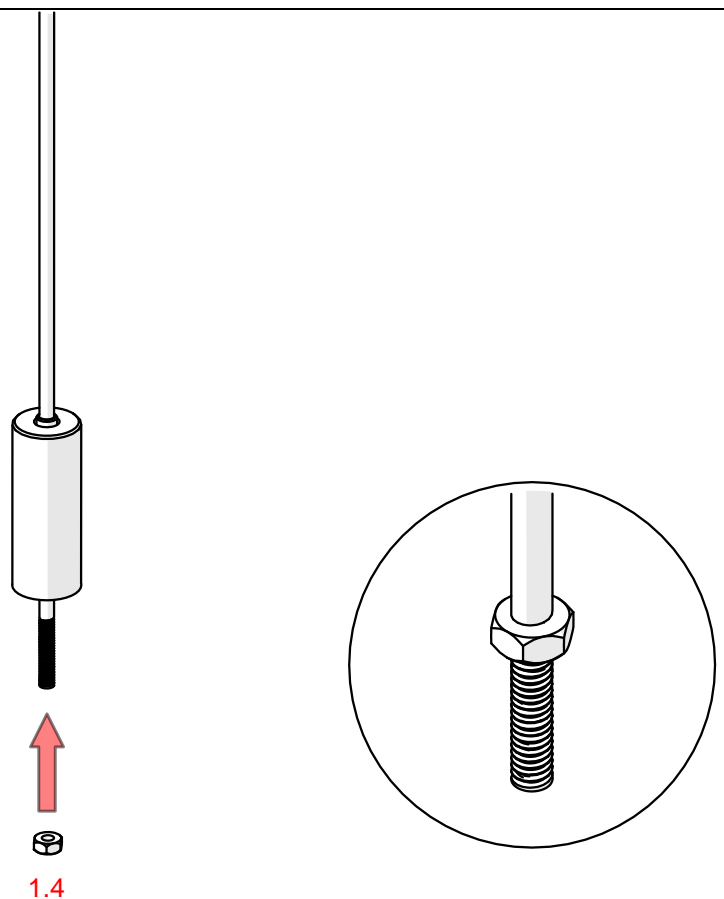
**Vlb**



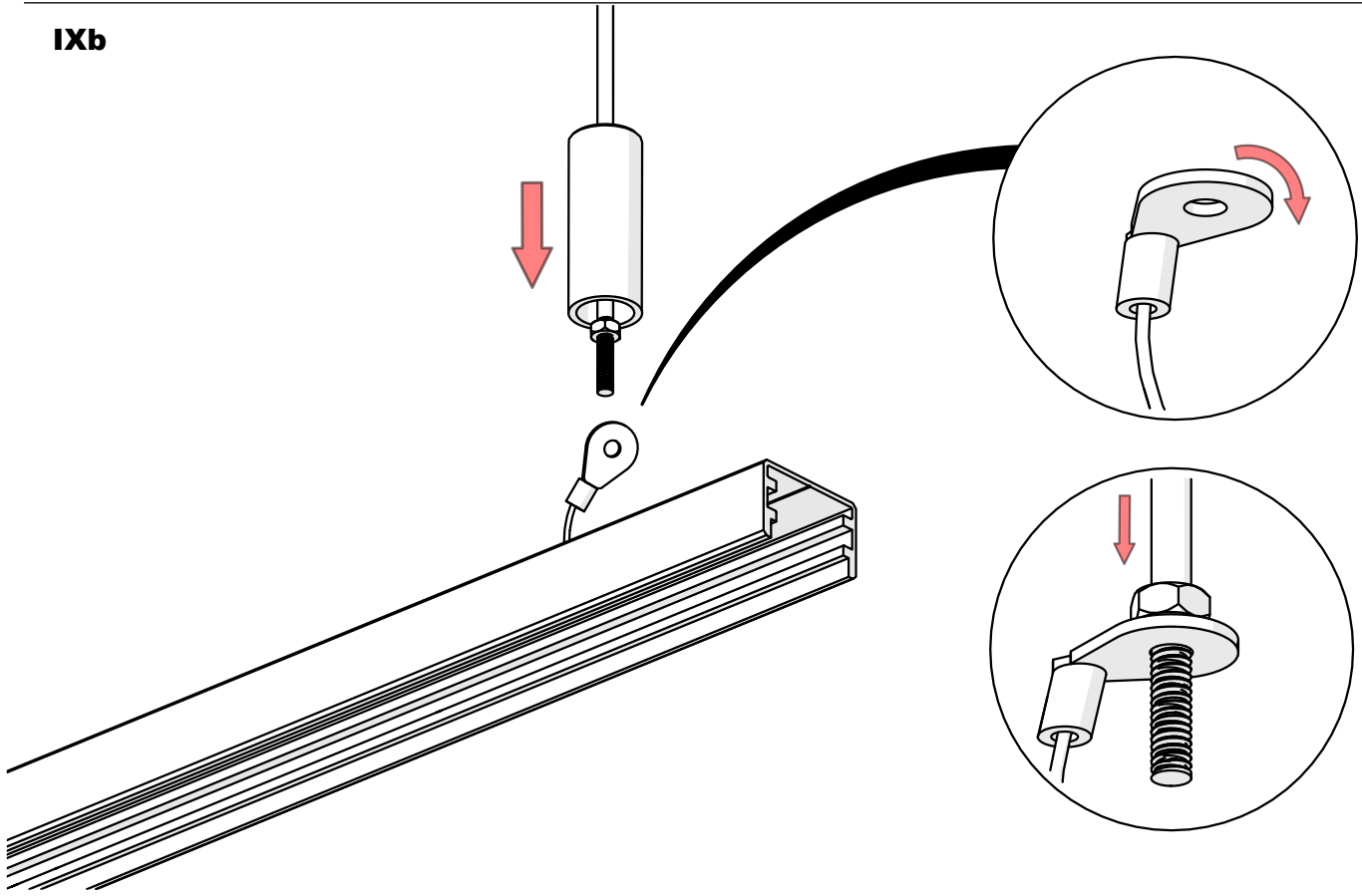
**VIIb**



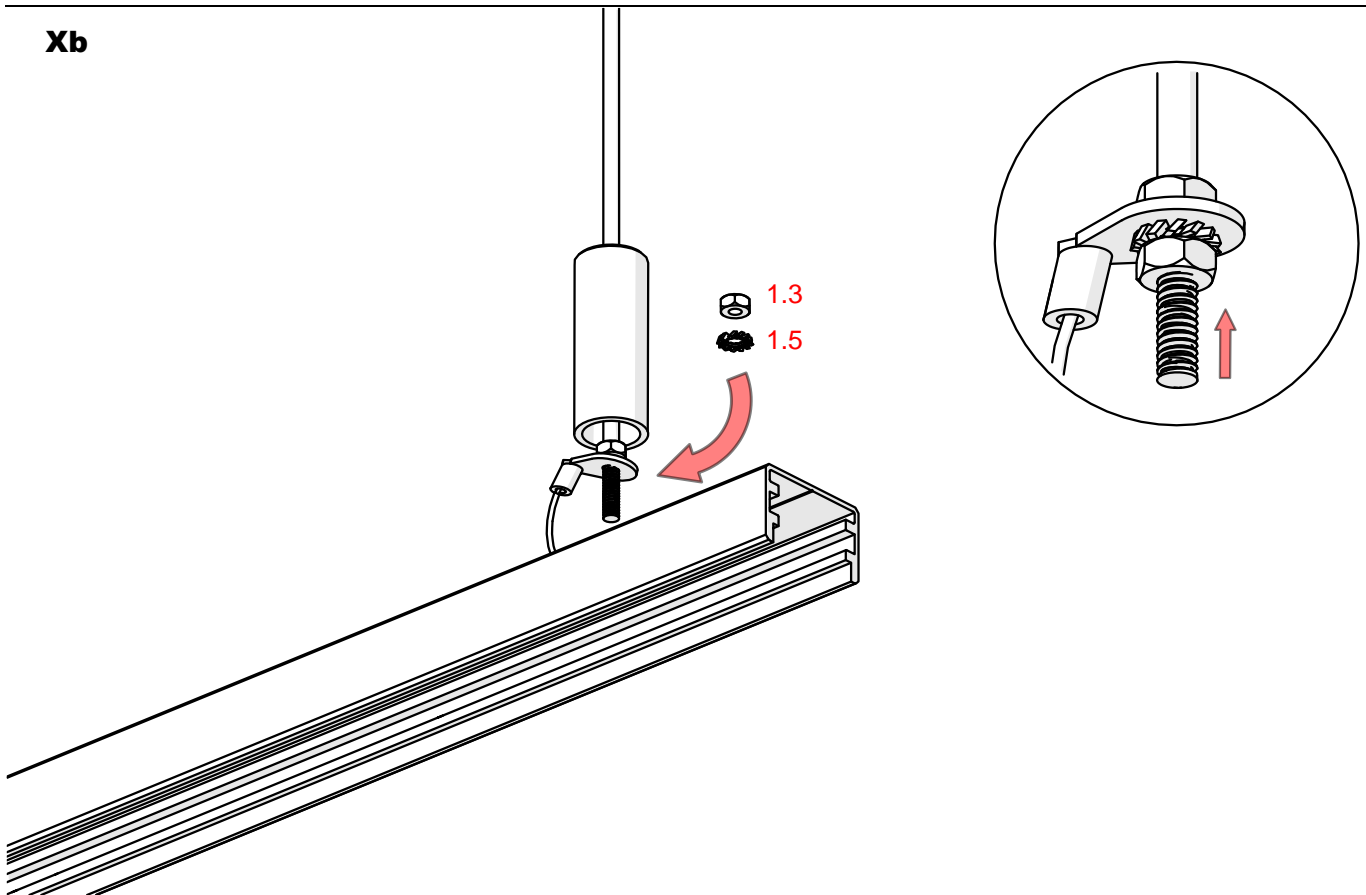
**VIIIb**



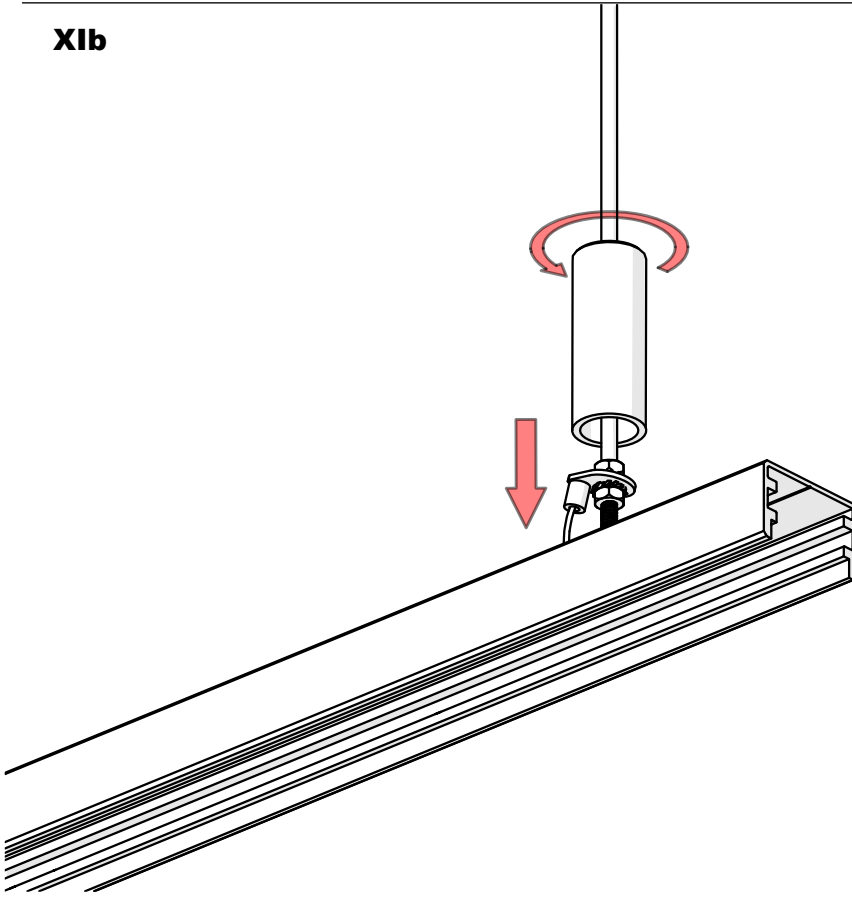
**IXb**



**Xb**



**XIb**



**XIIb**

