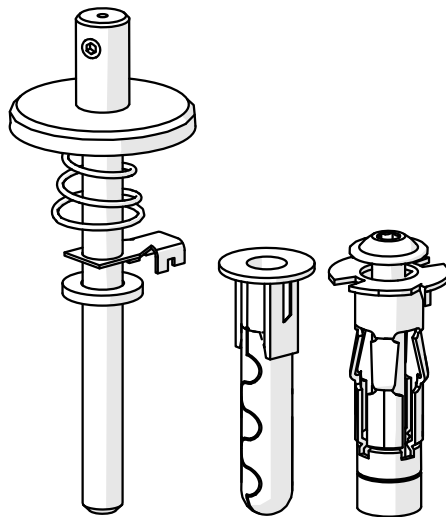
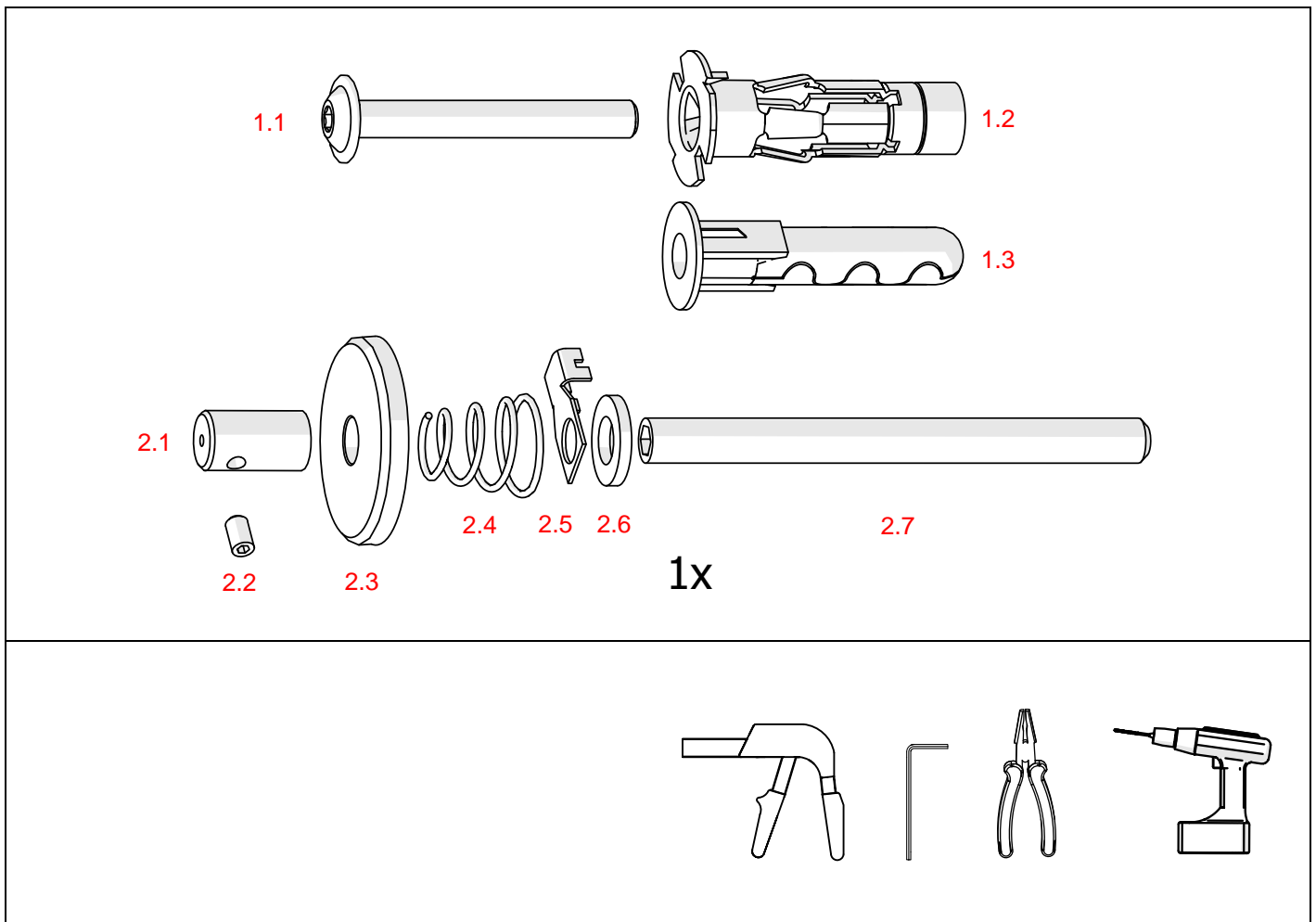


Fastener FI-8-KGM-Z

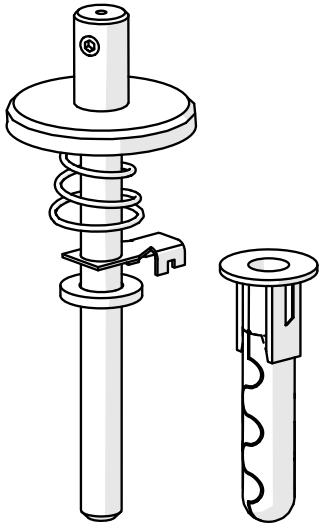




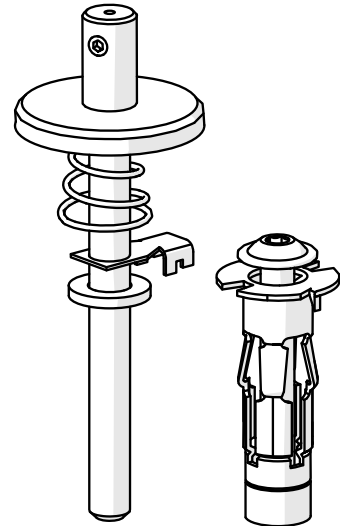
Fastener FI-8-KGM-Z (ref. C20013)

- 1.1 Screw M6x45
- 1.2 Drywall anchor M6x37
- 1.3 Nail anchor M6x60
- 2.1 Connector conductive
- 2.2 Pressure screw M3x5
- 2.3 Fastener masking cover
- 2.4 Conical spring
- 2.5 Power connector dia. 6
- 2.6 Pad M6
- 2.7 Pressure screw M6x70

IMPORTANT: Not all possible mounting procedures are presented here. More mounting procedures and related accessories can be found at www.KlusDesign.eu. Drawings in these instructions are simplified and only approximate the actual shapes.

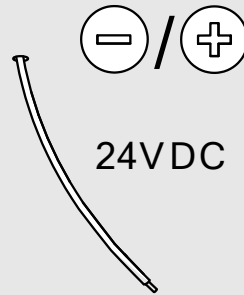


1

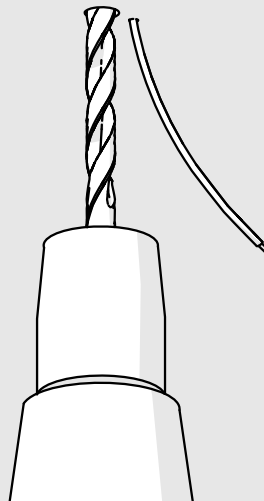
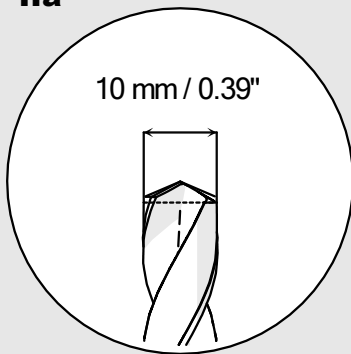


8

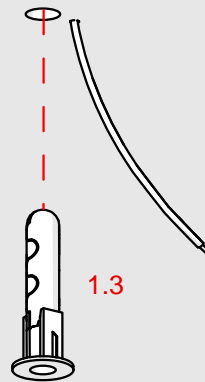
Ia



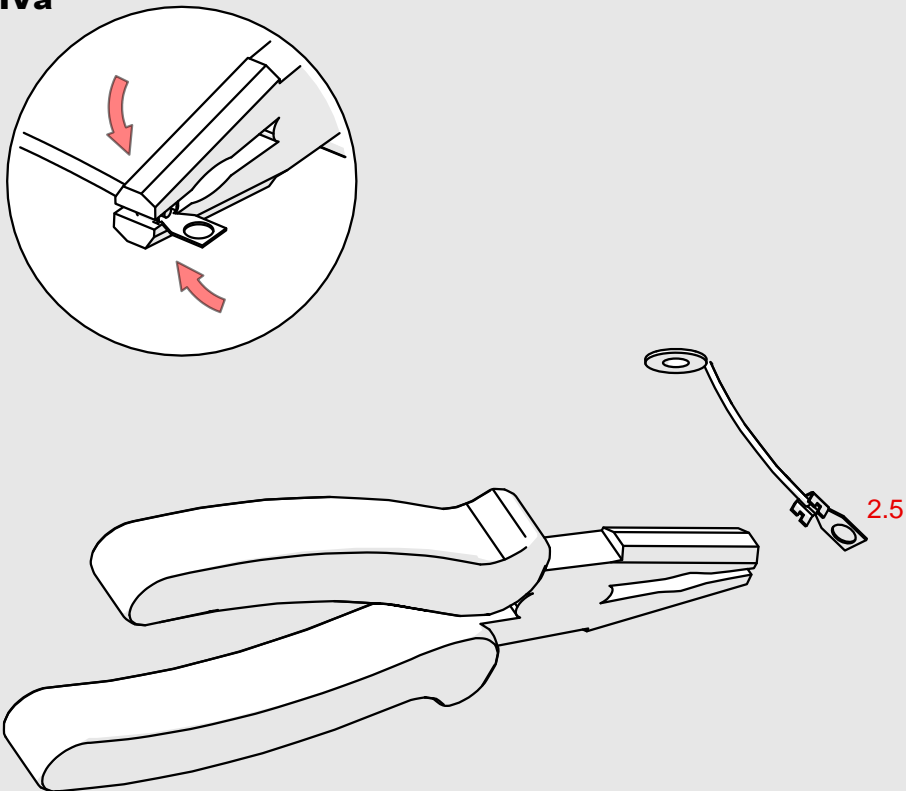
Ila



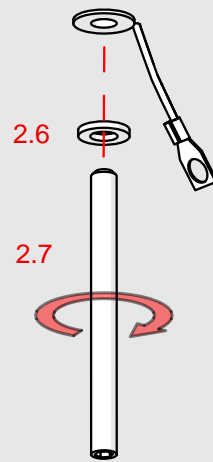
IIIa



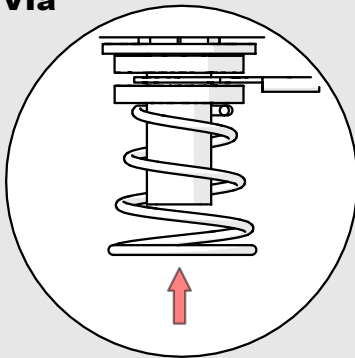
IVa



Va



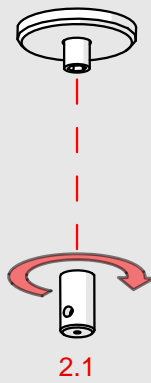
Vla



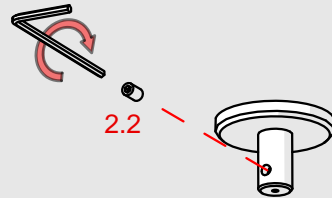
VIIa



VIIIa



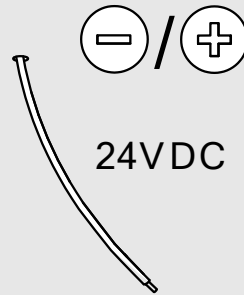
IXa



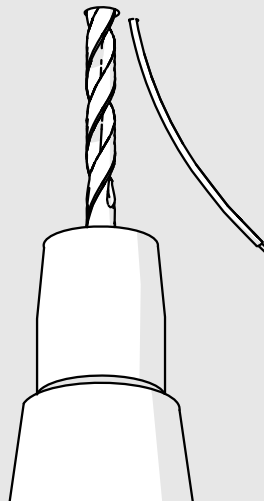
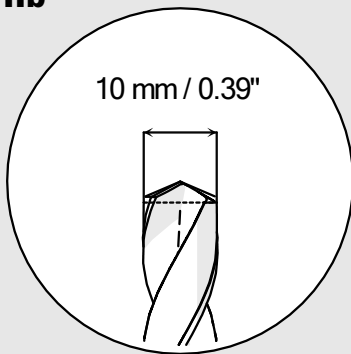
Xa



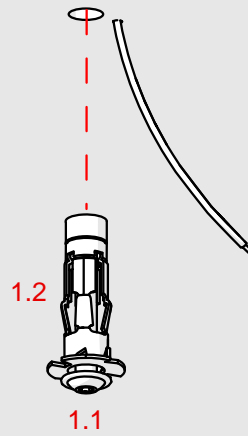
Ib



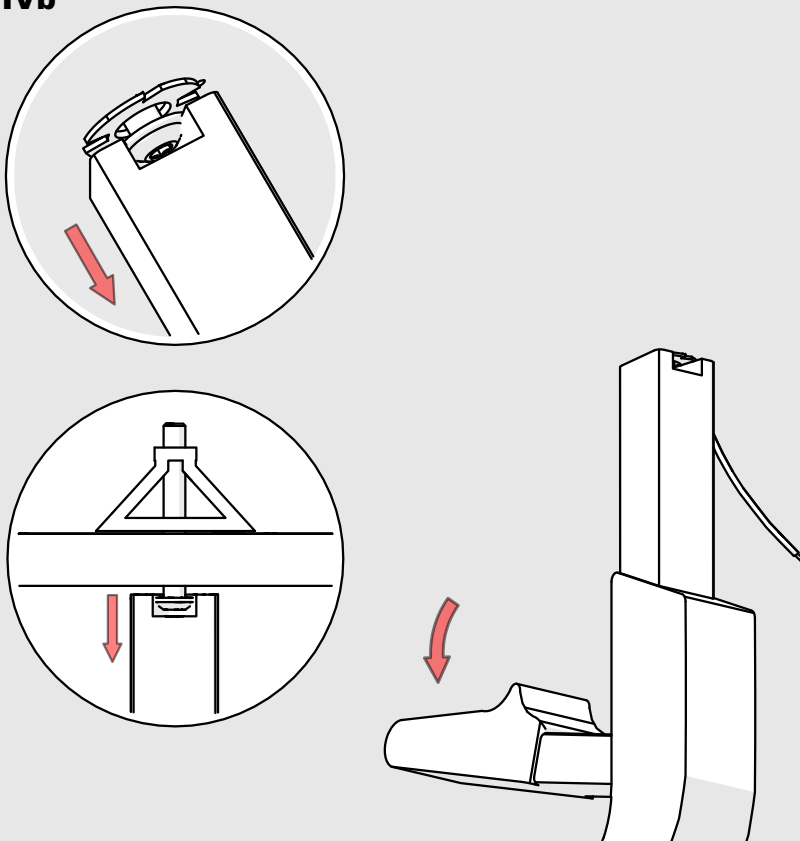
IIb



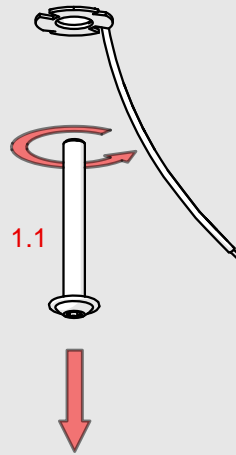
IIIb



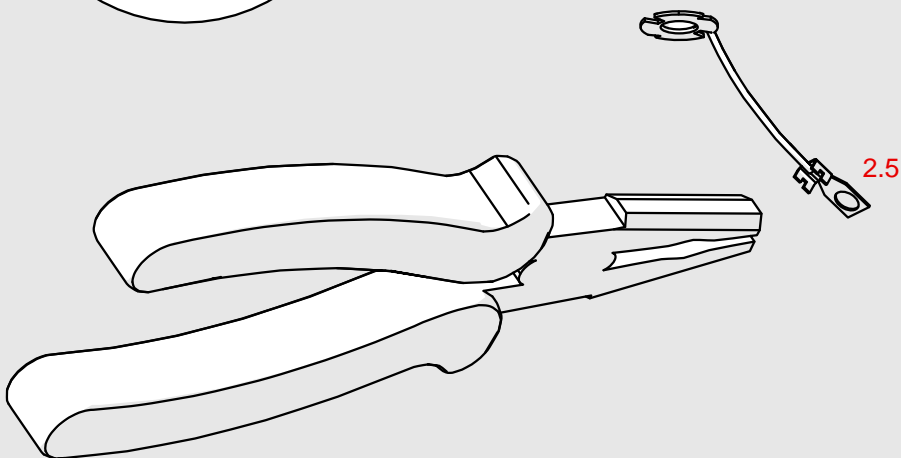
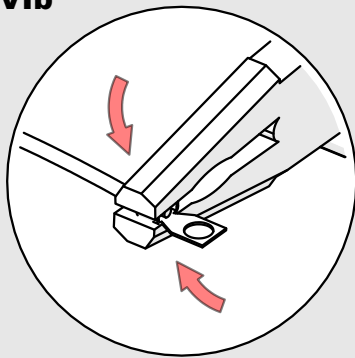
IVb



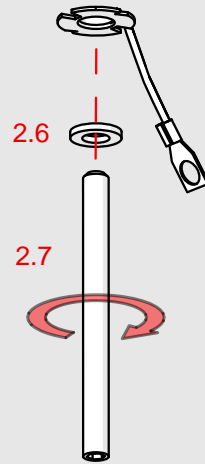
Vb



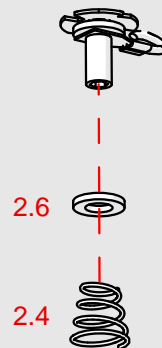
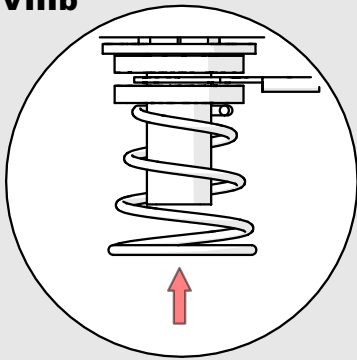
VIb



VIIb



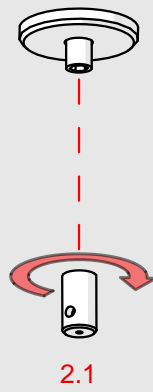
VIIIb



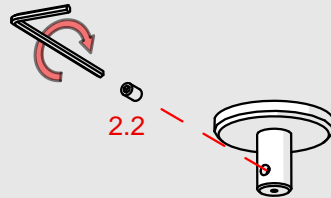
IXb



Xb



XIb



XIIb

