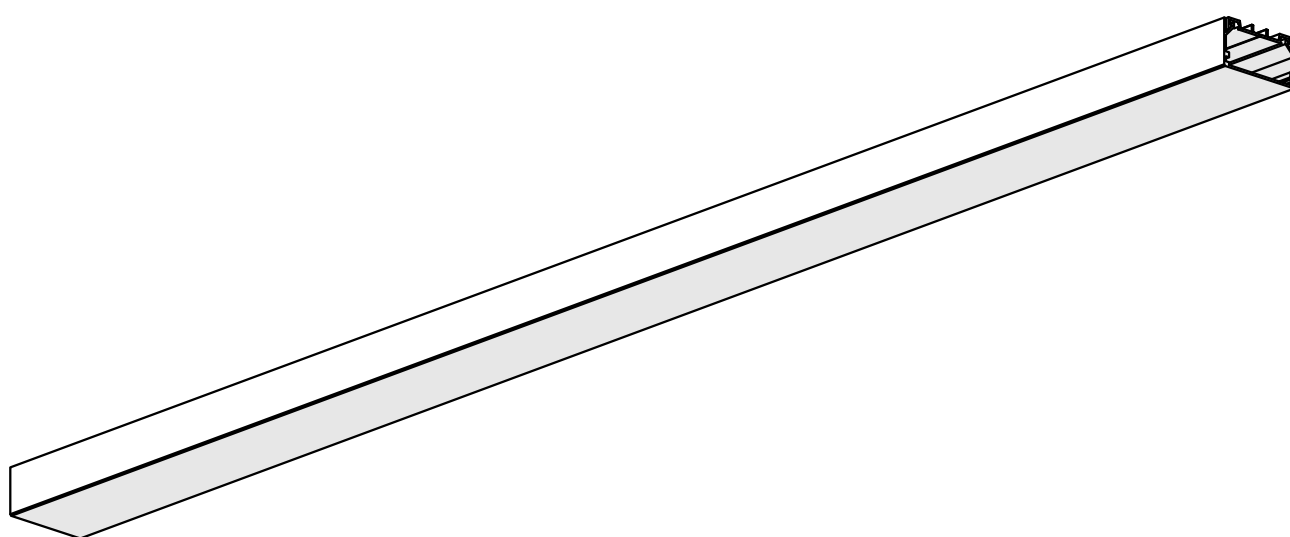
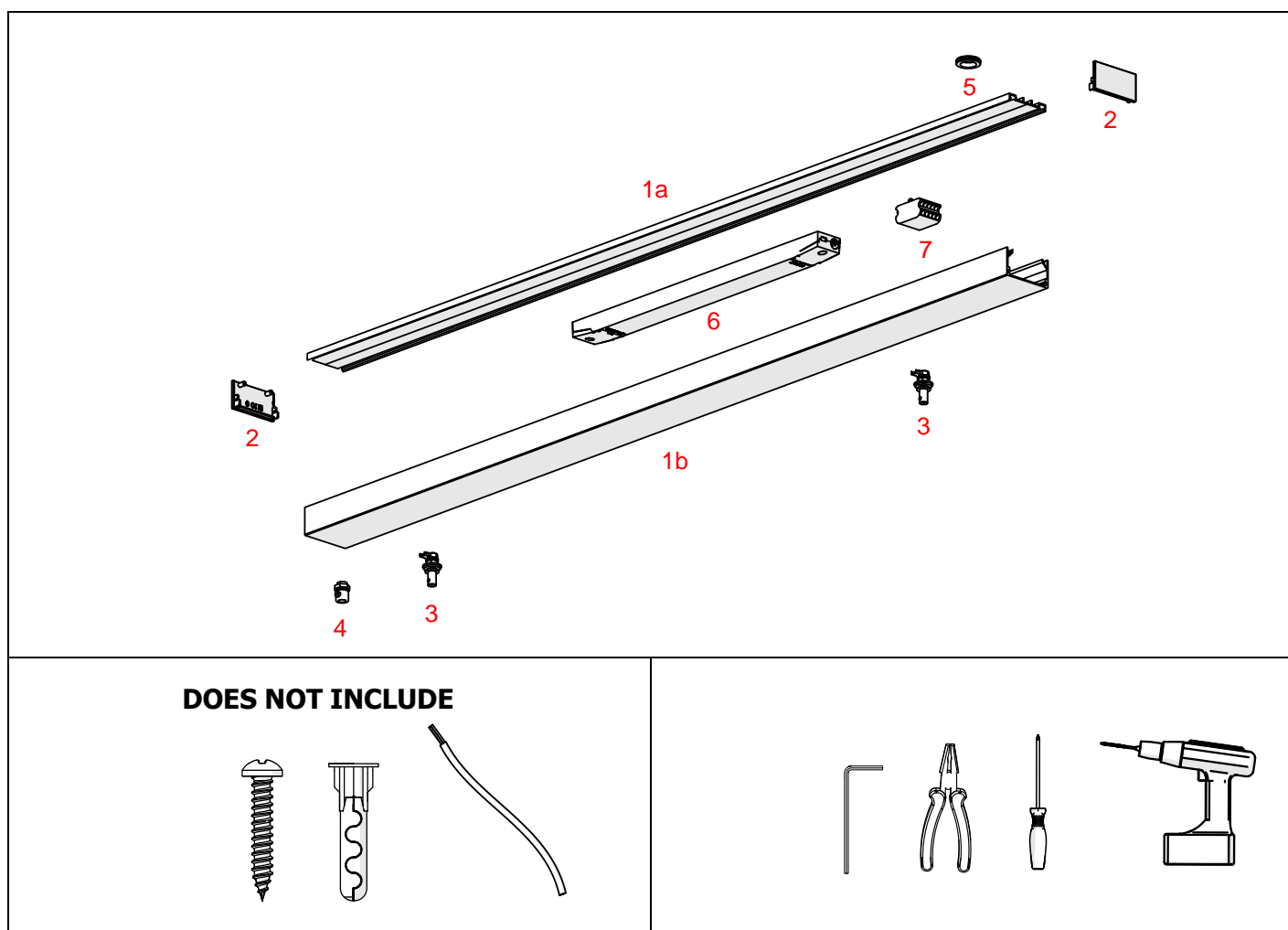
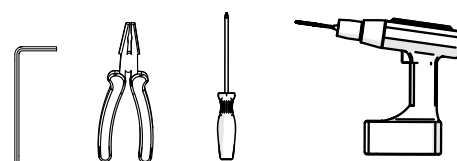
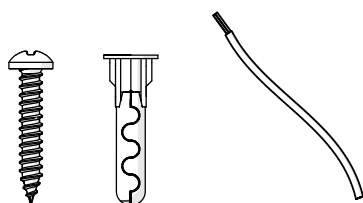


Profile BOX-M





DOES NOT INCLUDE



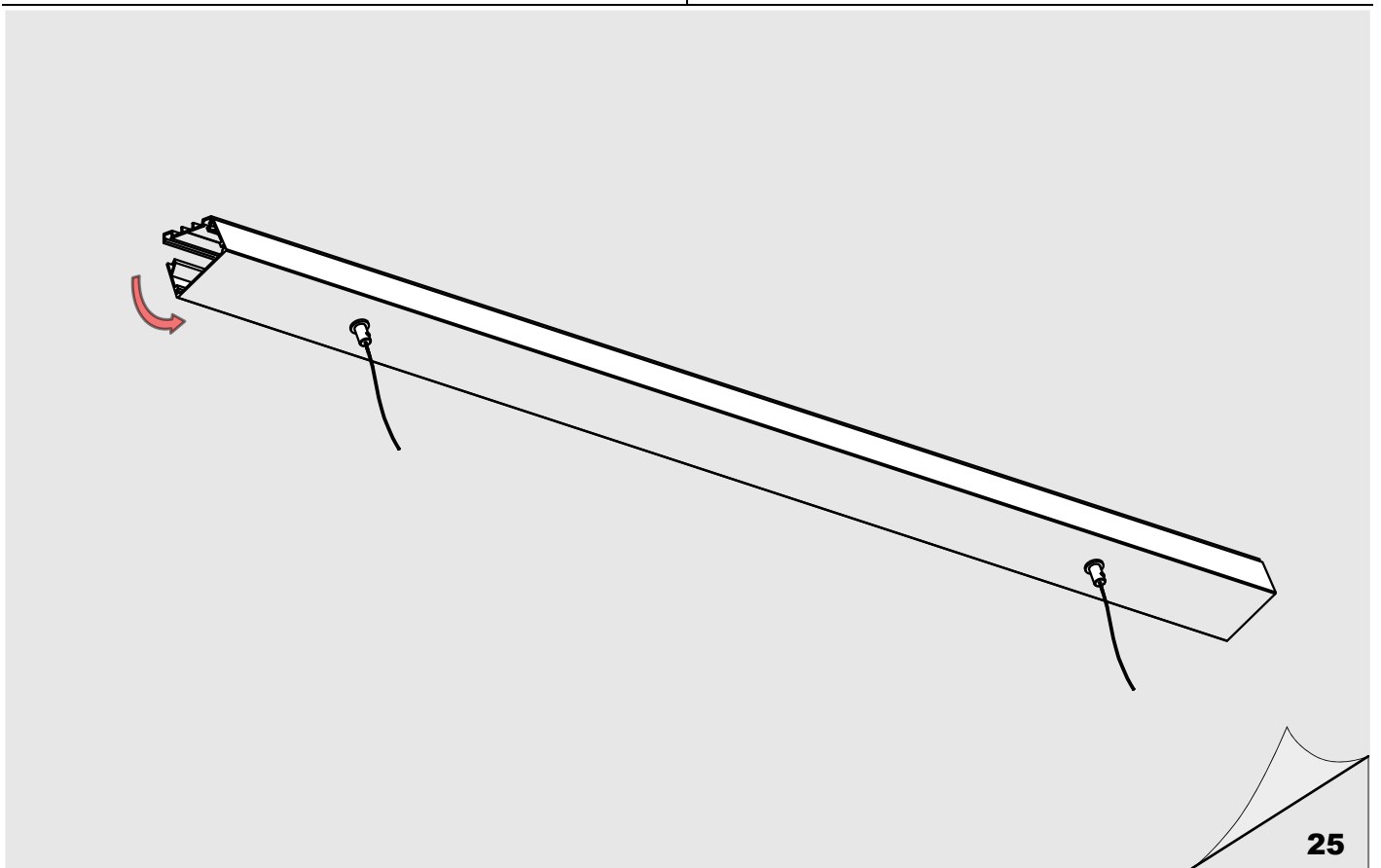
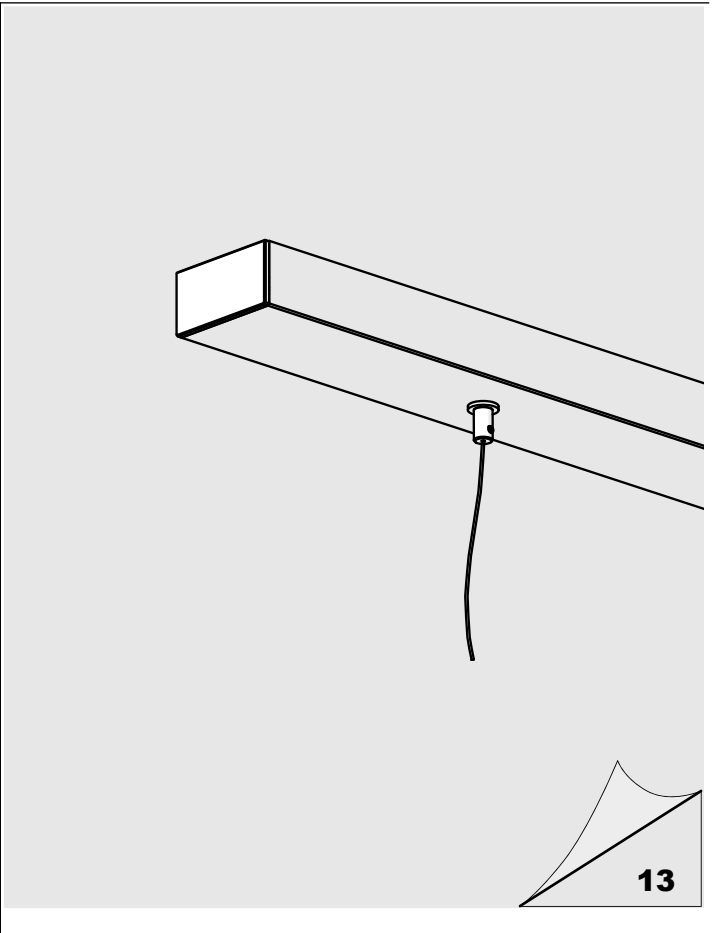
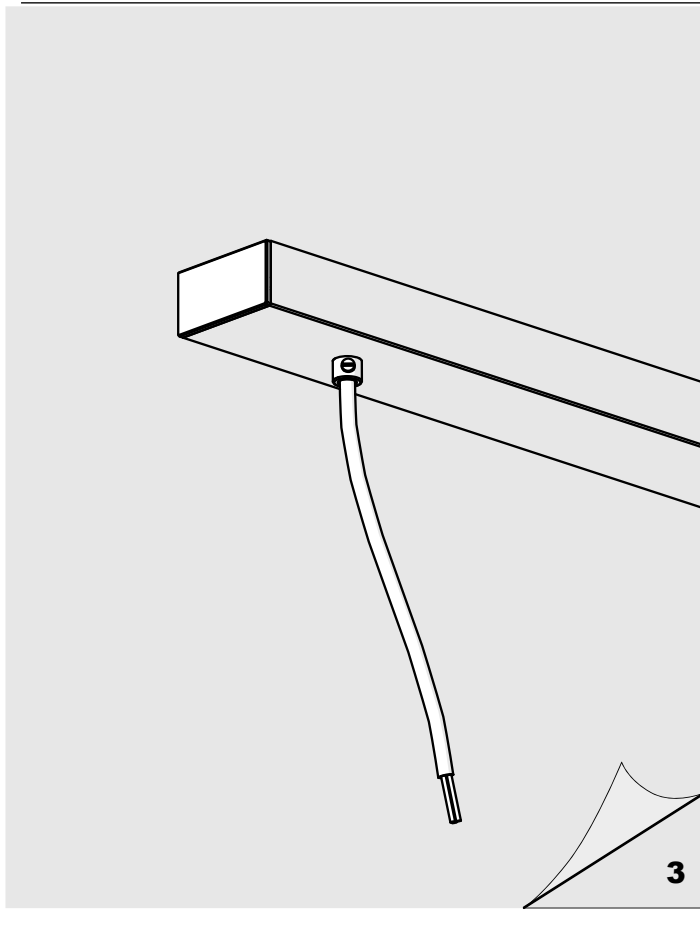
Profile BOX-M (ref. A18001A)

- 1. Profile BOX-M (Ref. A18001A)
- 2. End cap BOX-M*
- 3. Fastener FI-8*
- 4. Cable strain relief*
- 5. Gland*
- 6. Power supply*
- 7. Electric cube*

* The full range of accessories and electronics is available at www.KlusDesign.eu

NOTE! ! All LED tapes must be connected to a 24V DC power supply.

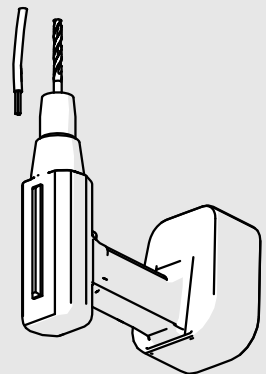
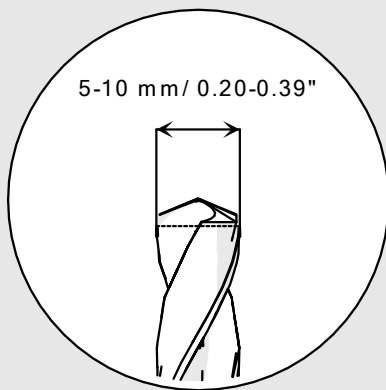
IMPORTANT: Not all possible mounting procedures are presented here. More mounting procedures and related accessories can be found at www.KlusDesign.eu. Drawings in these instructions are simplified and only approximate the actual shapes.



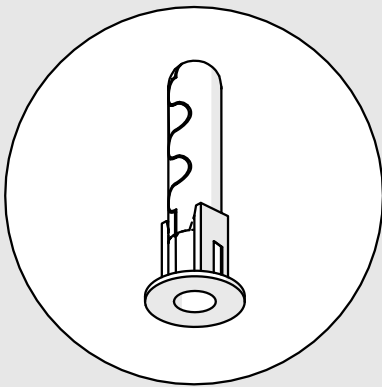
Ia



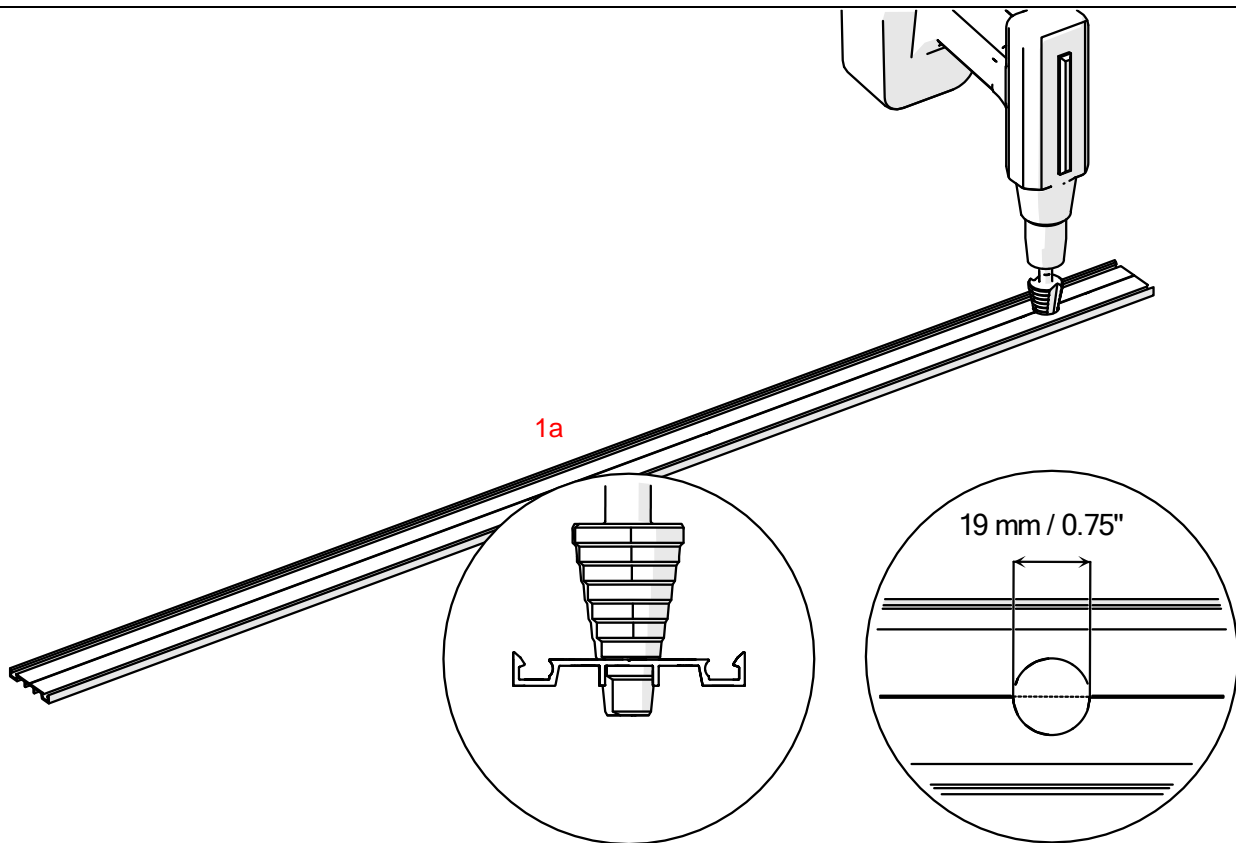
Ila



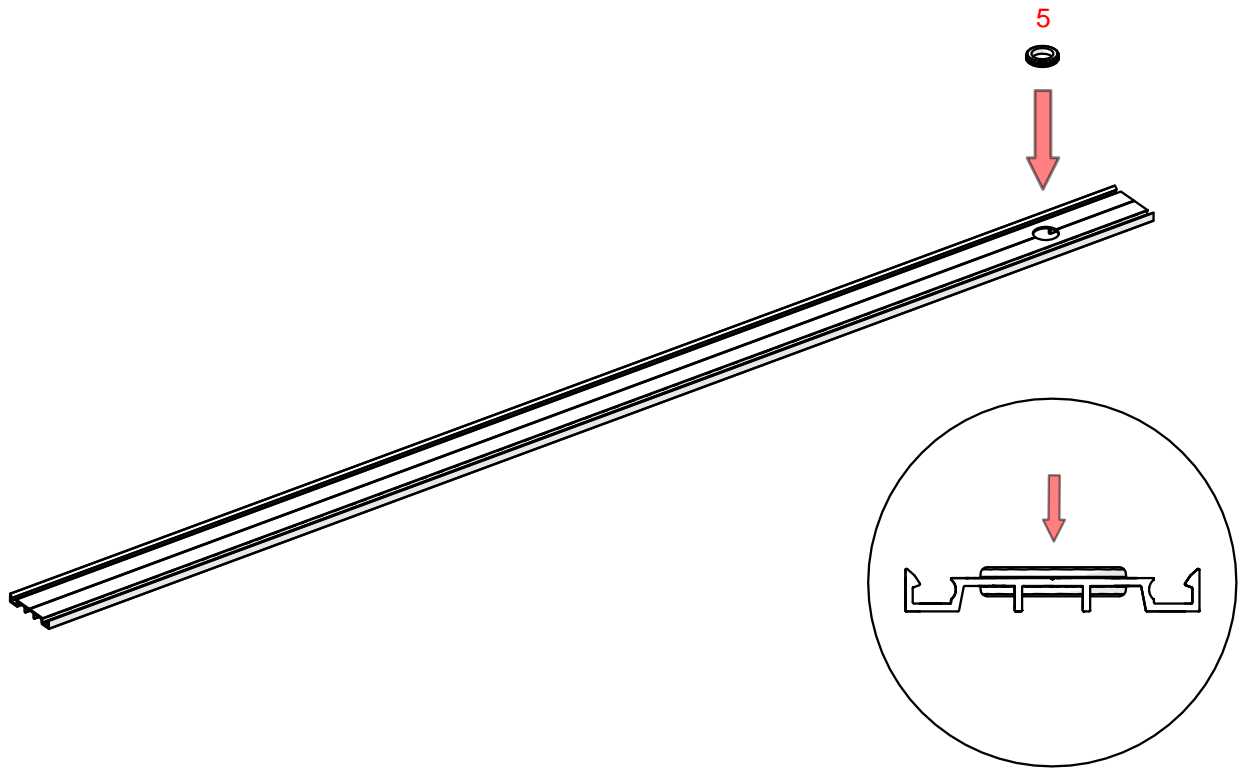
IIIa



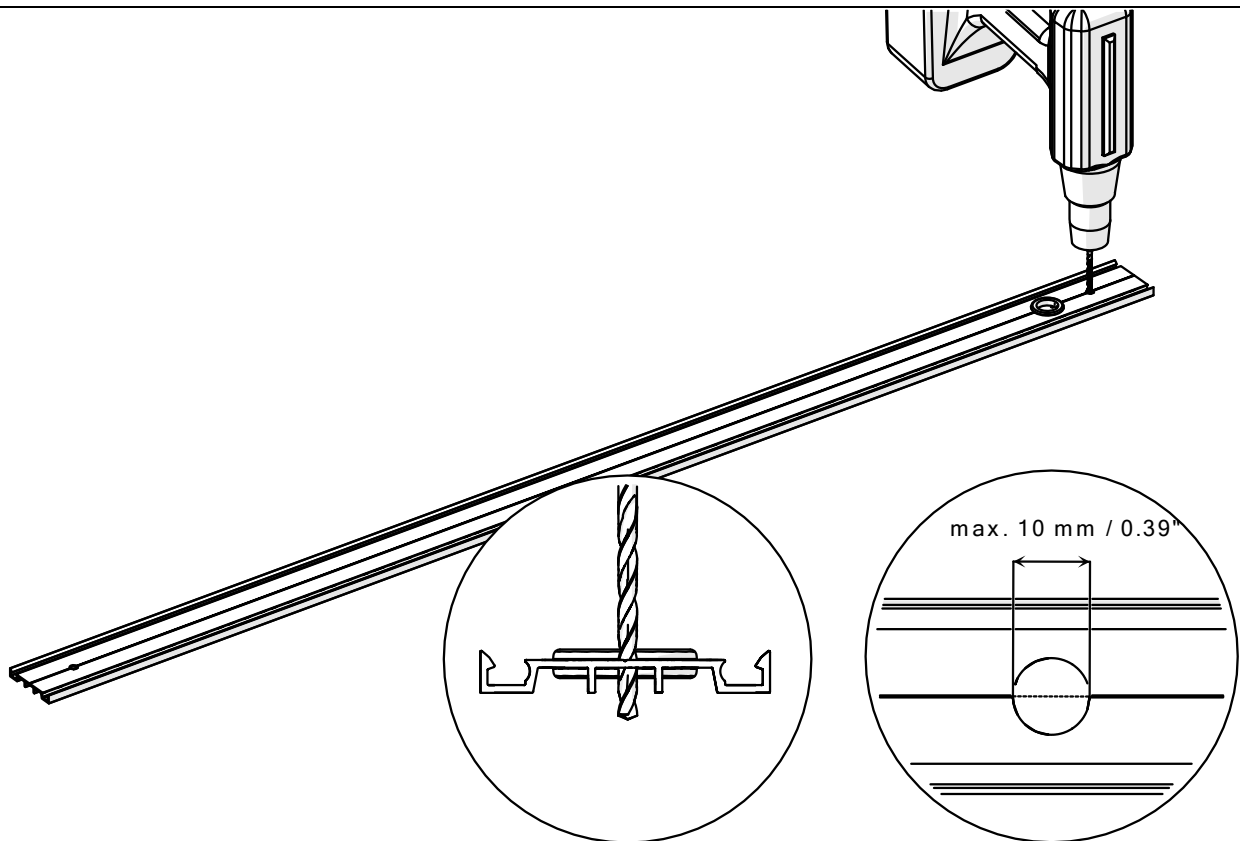
IVa



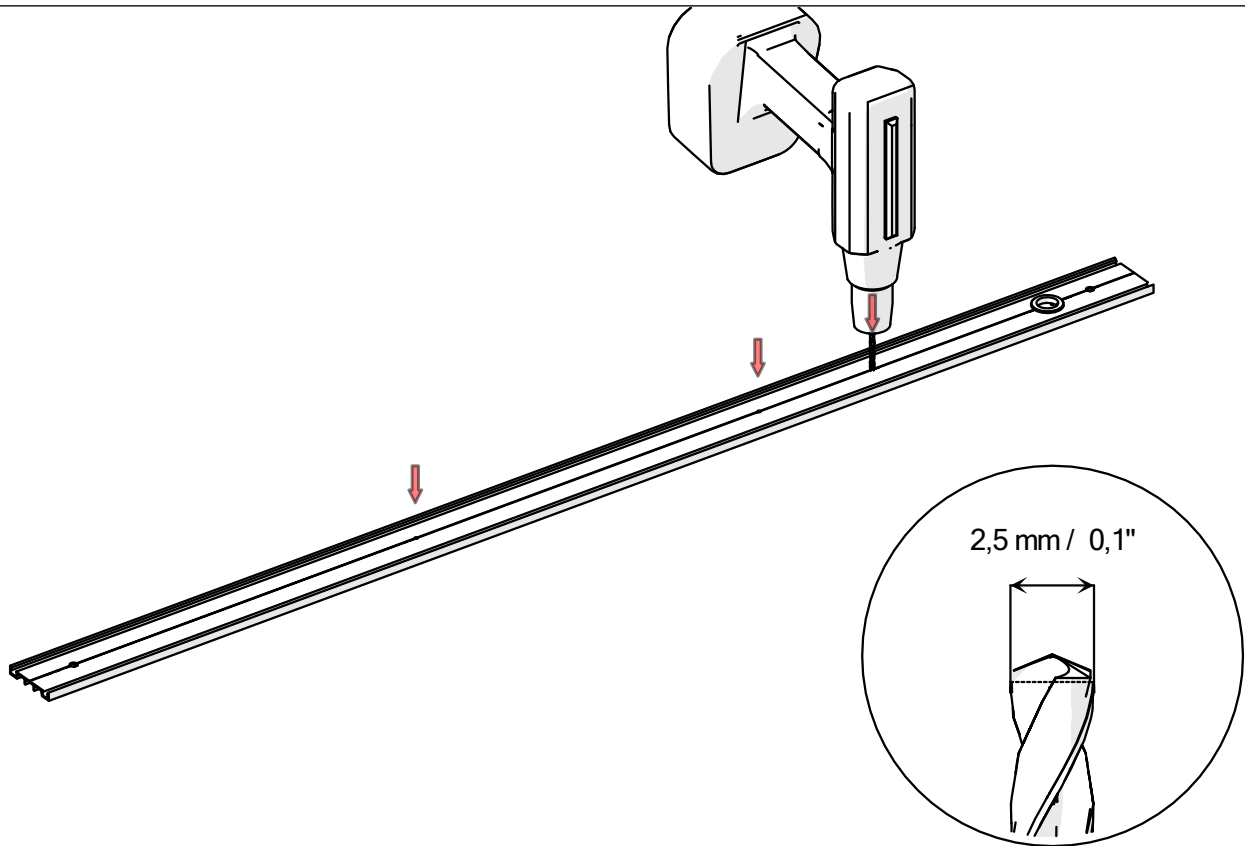
Va



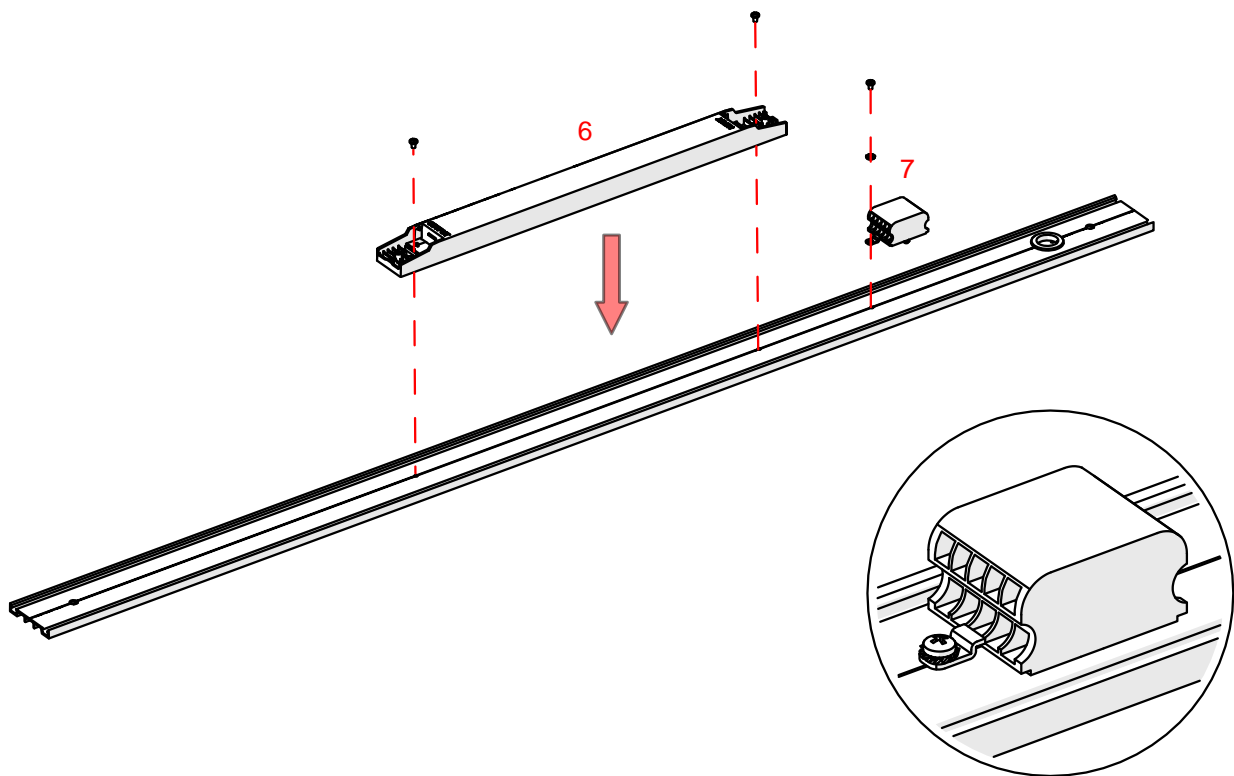
Vla



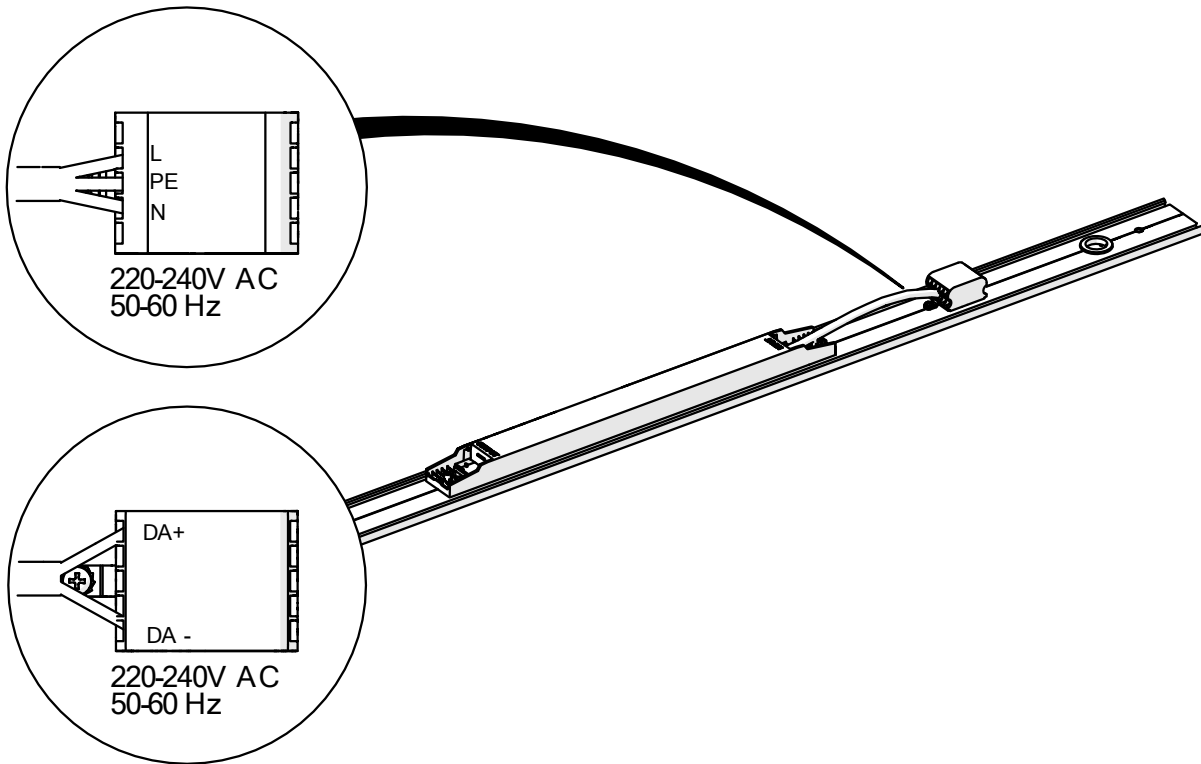
VIIa



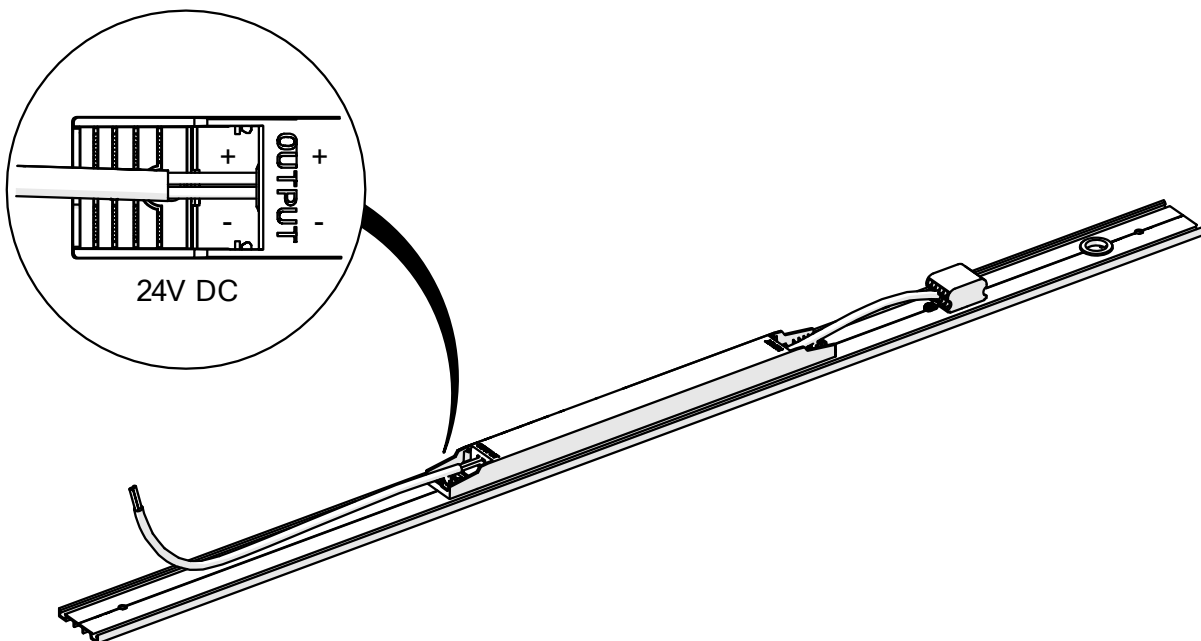
VIIIa



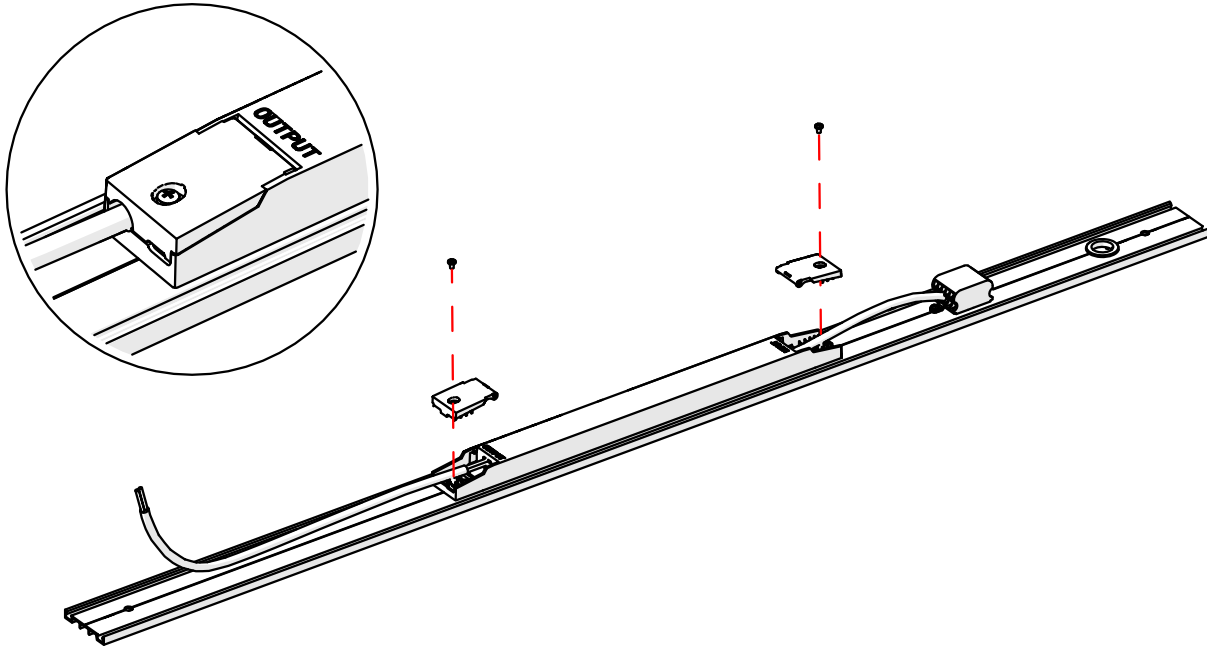
IXa



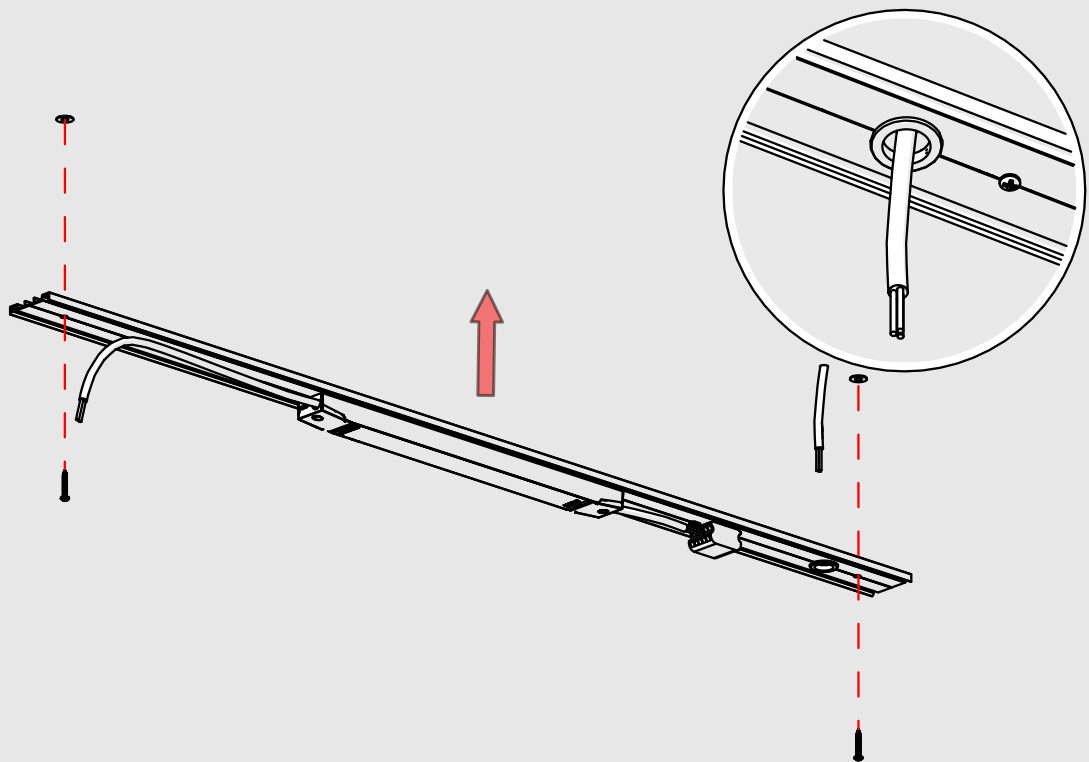
Xa



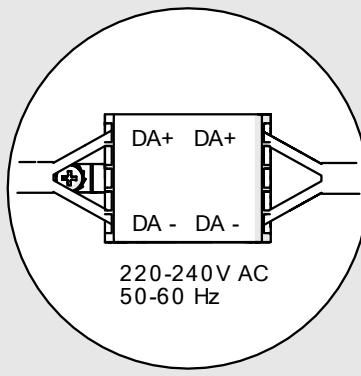
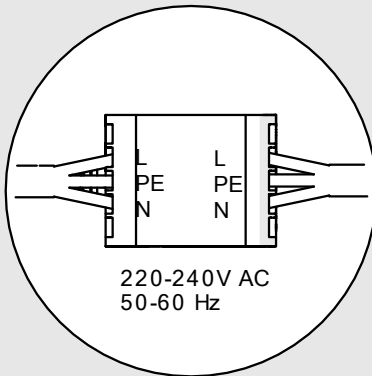
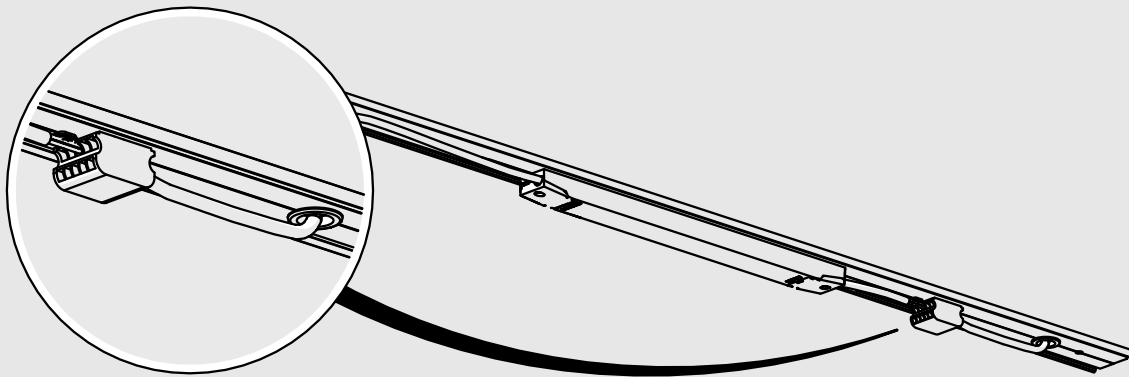
XIa



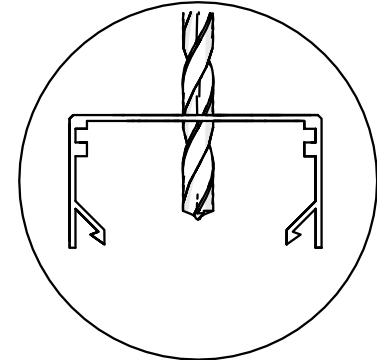
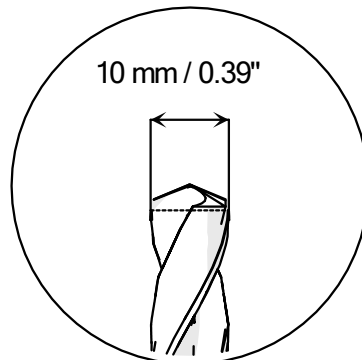
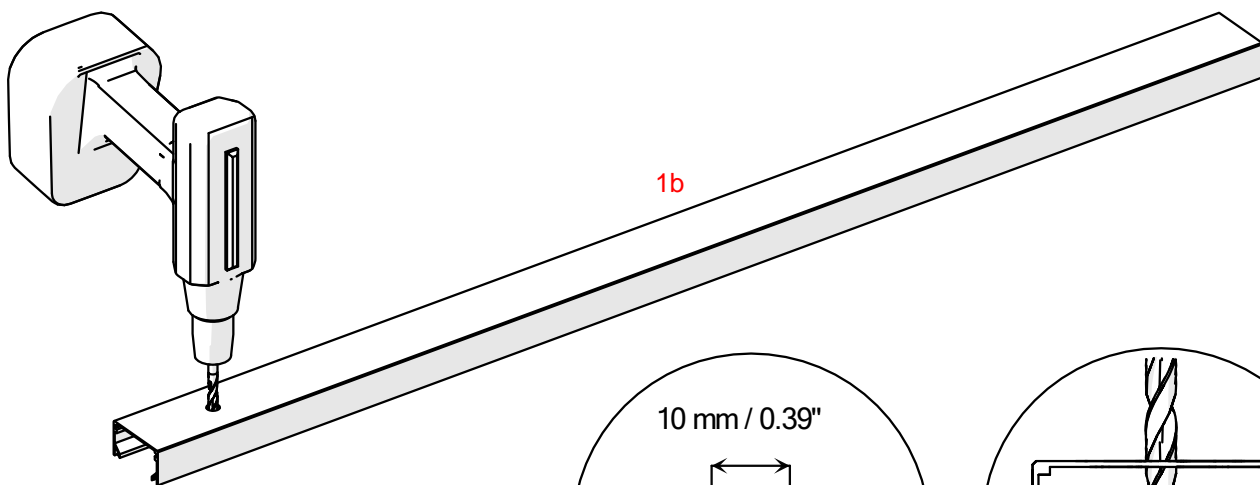
XIIa



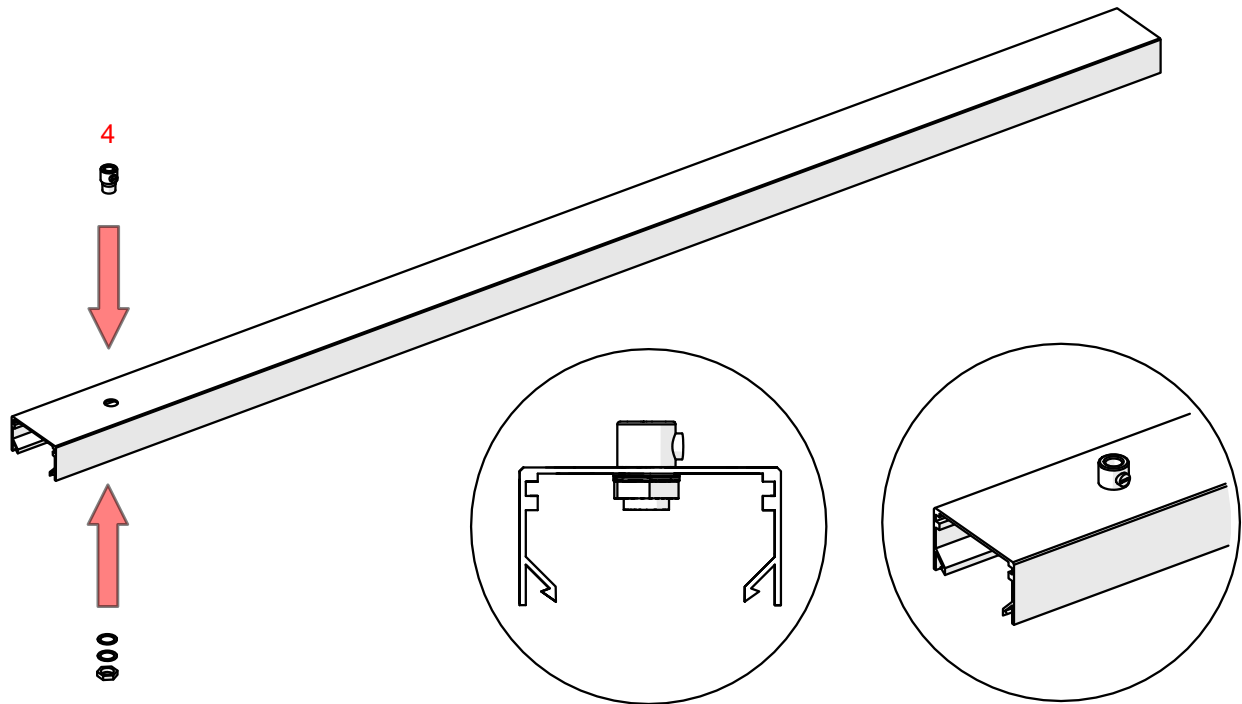
XIIIa



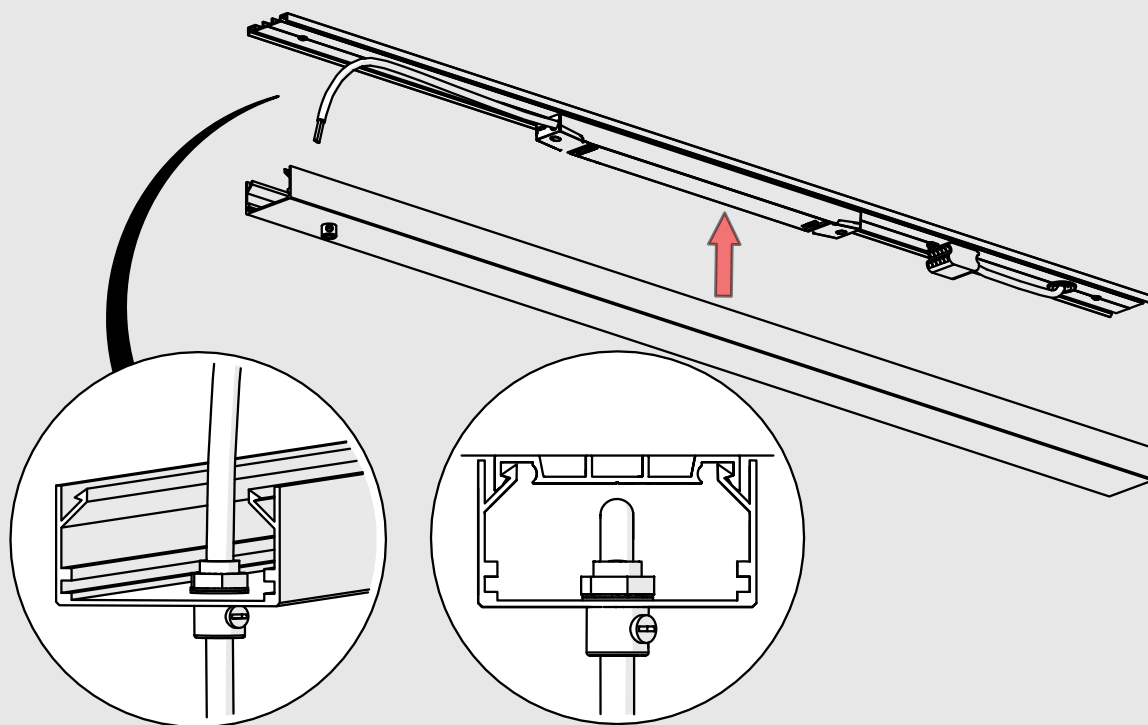
XIVa



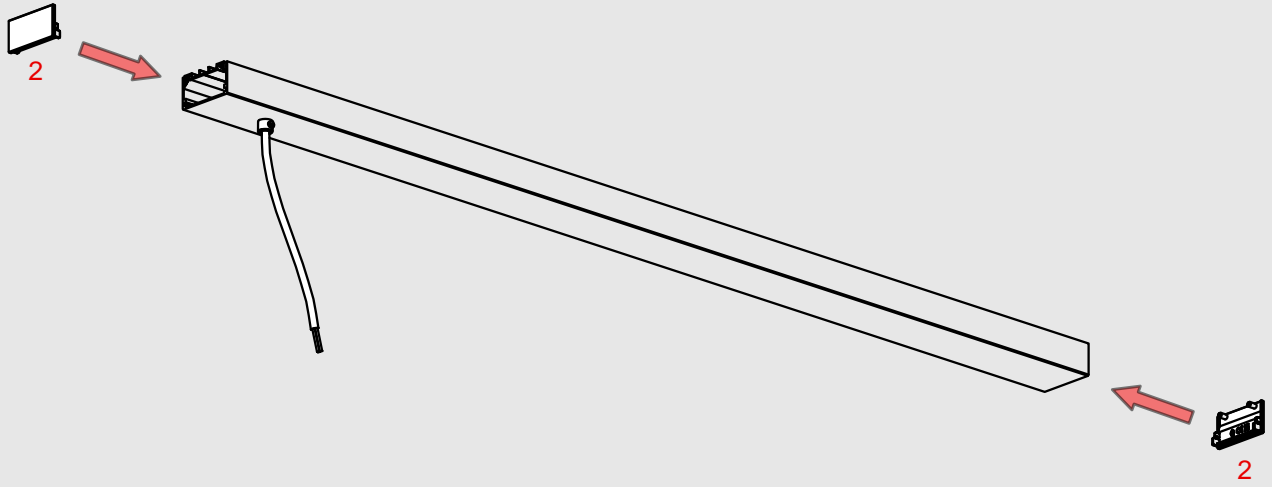
XVa



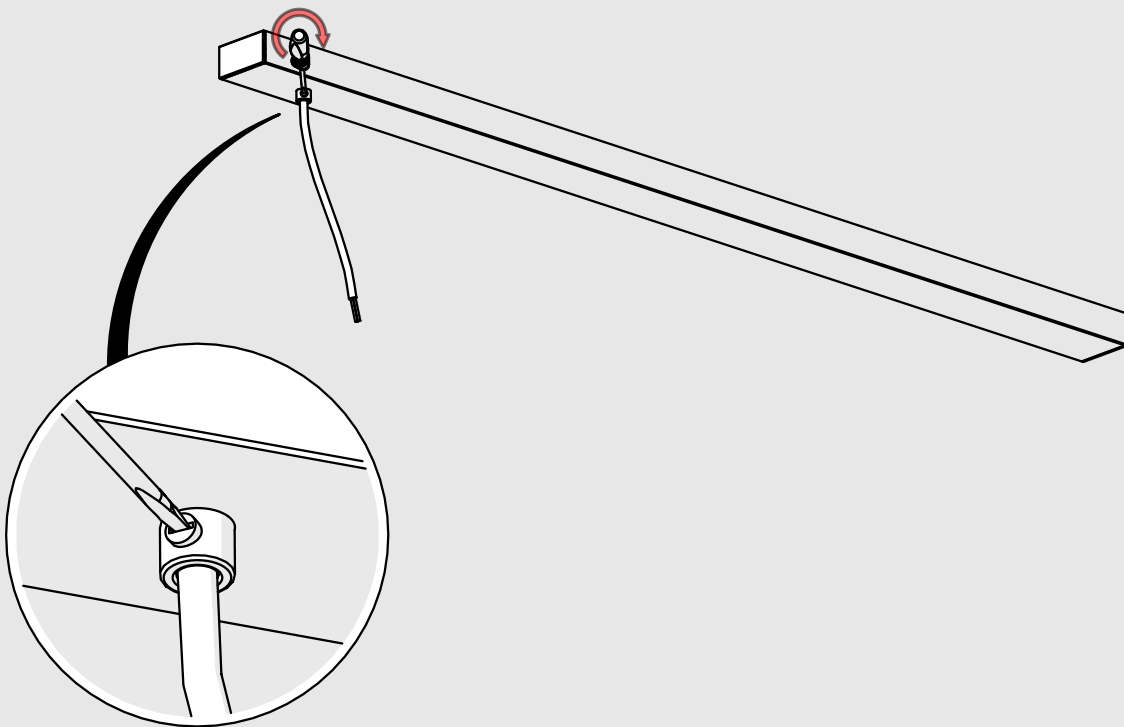
XVIa



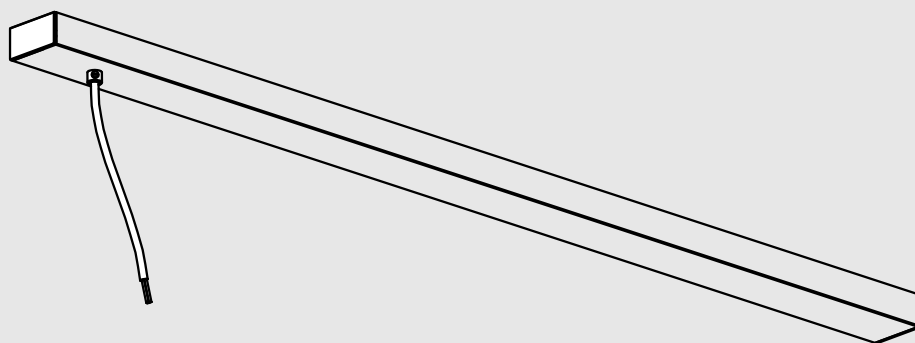
XVIIa



XVIIIa



XIXa

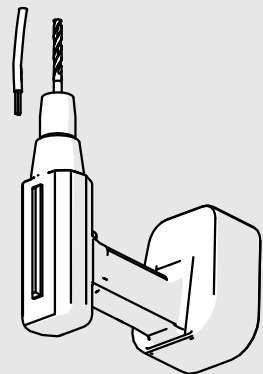
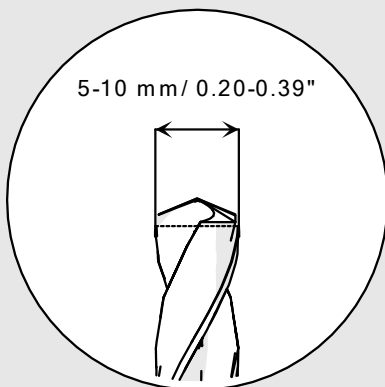


Ib

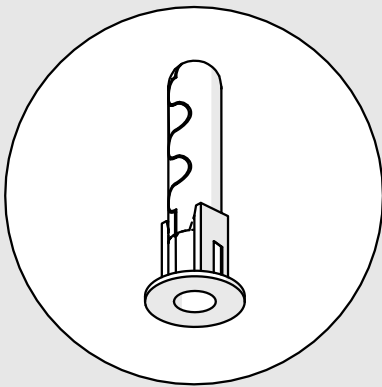


220-240V AC
50/60Hz

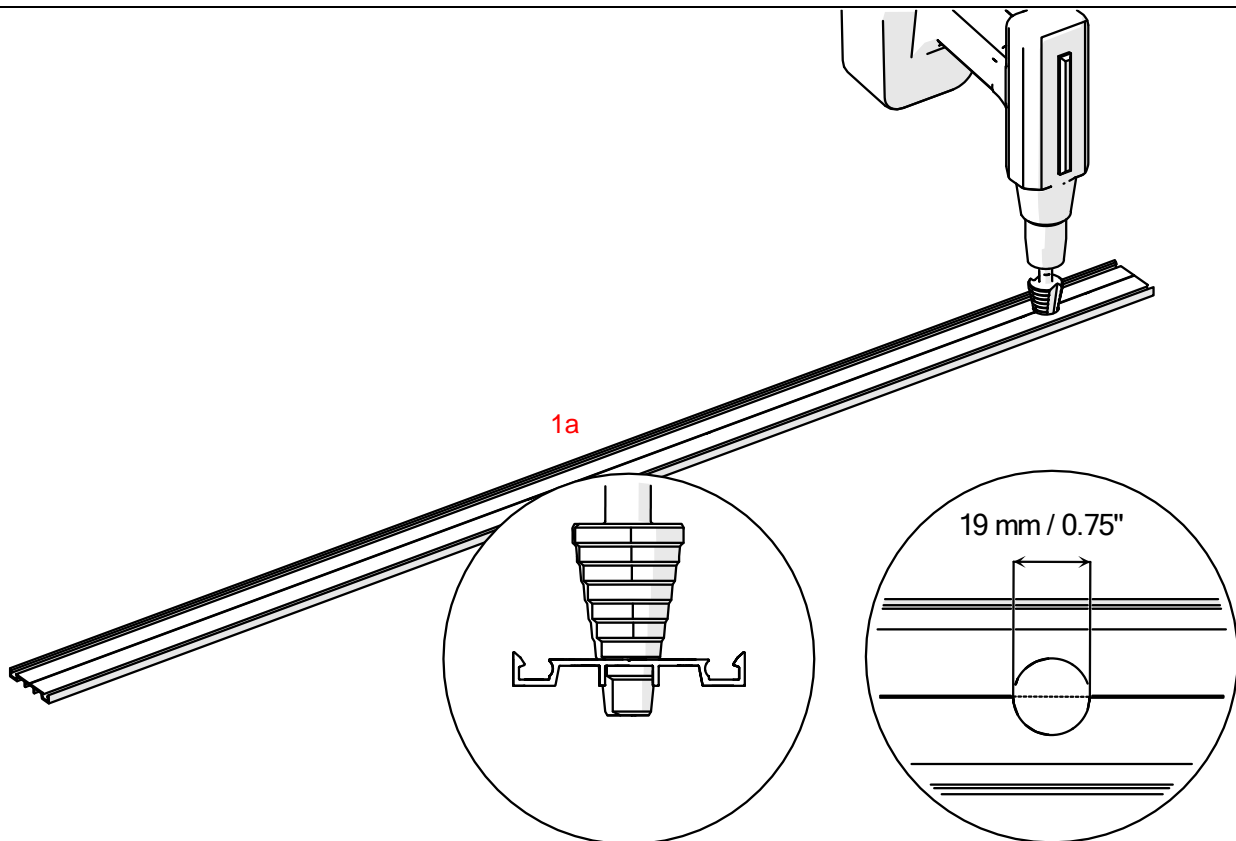
IIb



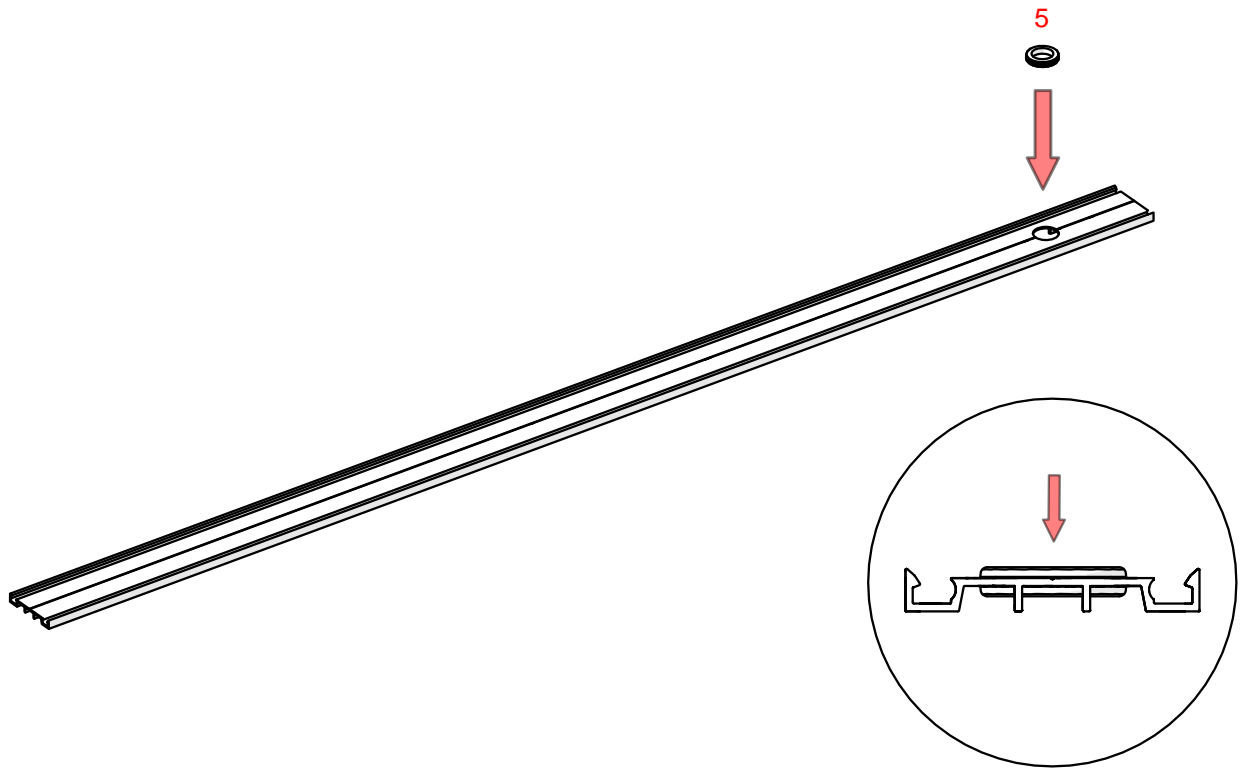
IIIb



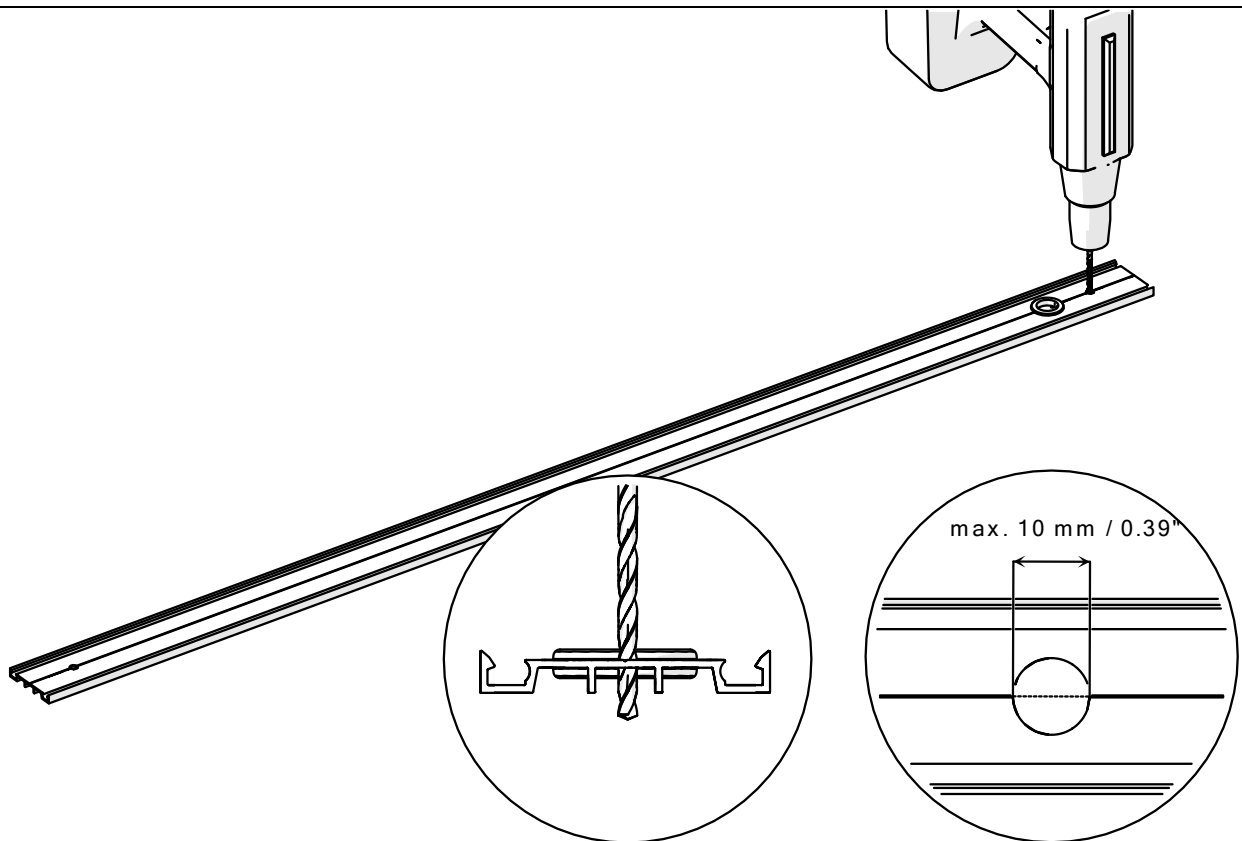
IVb



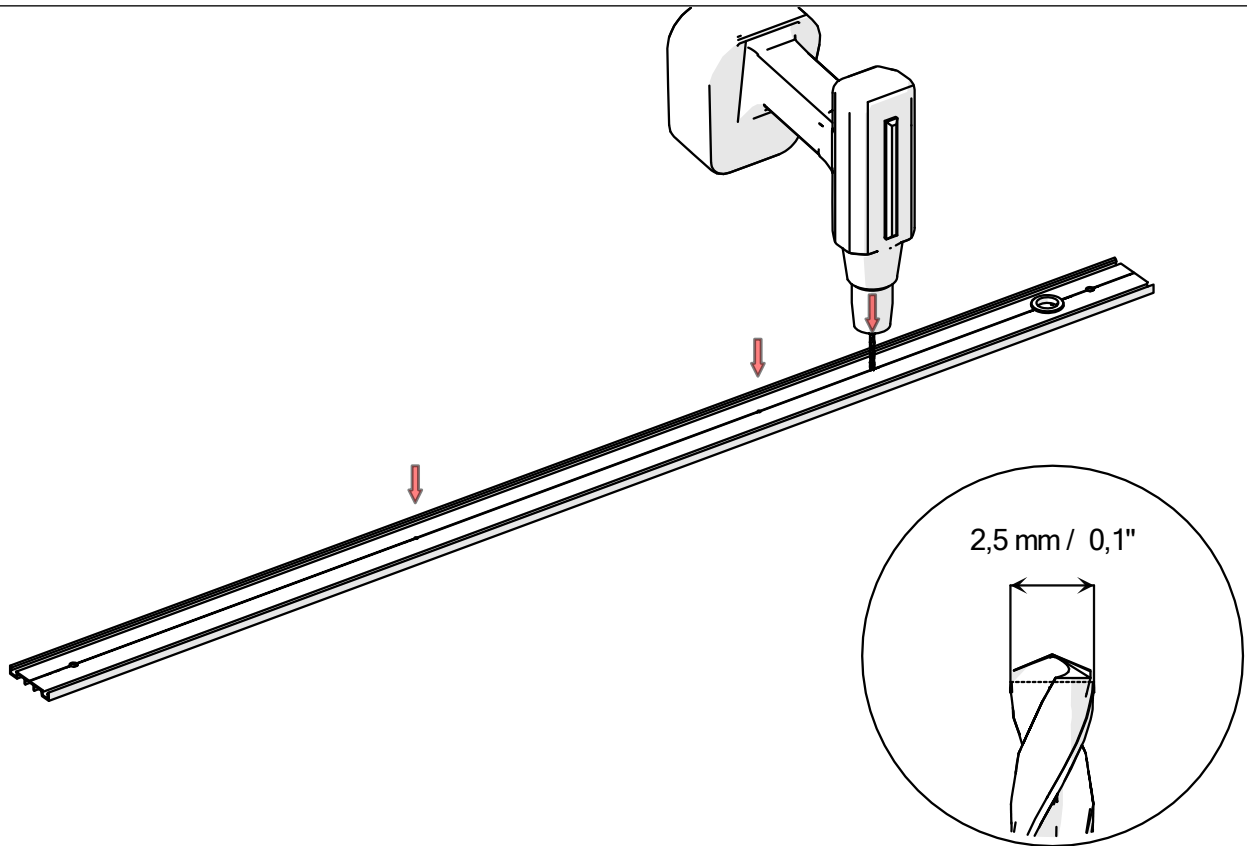
Vb



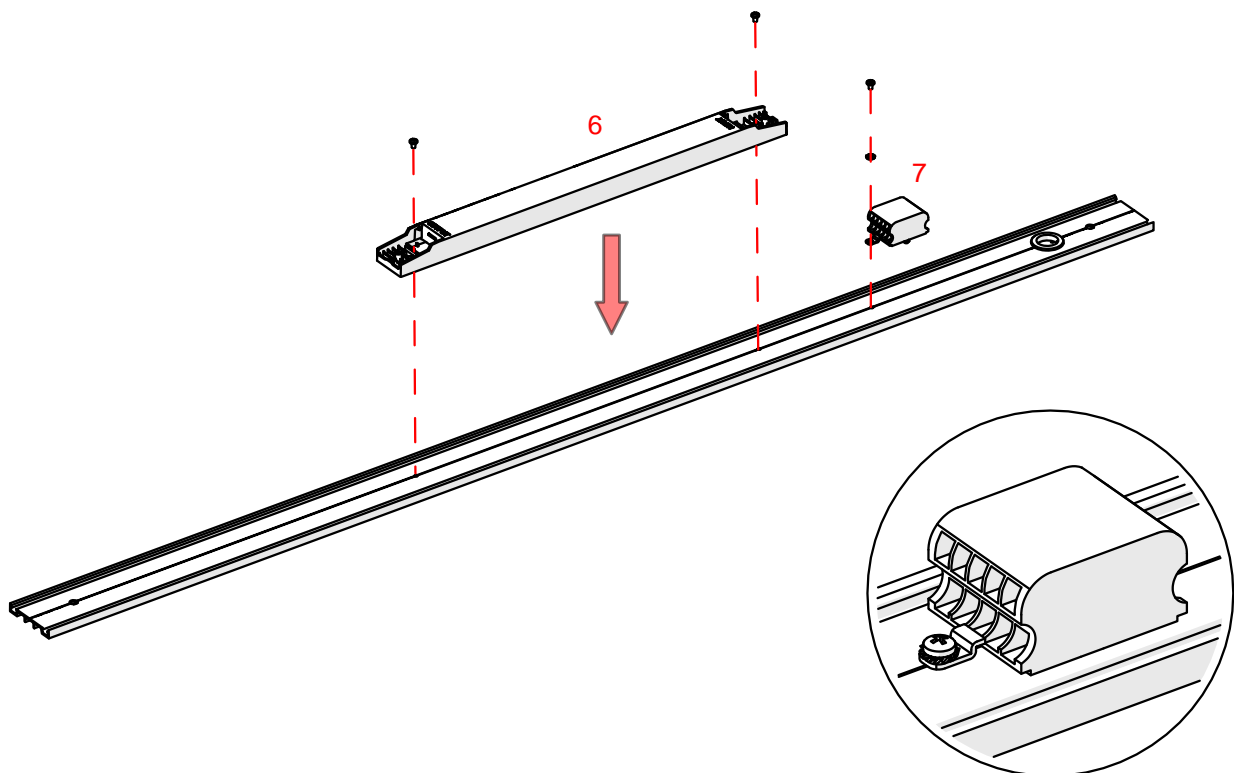
Vlb



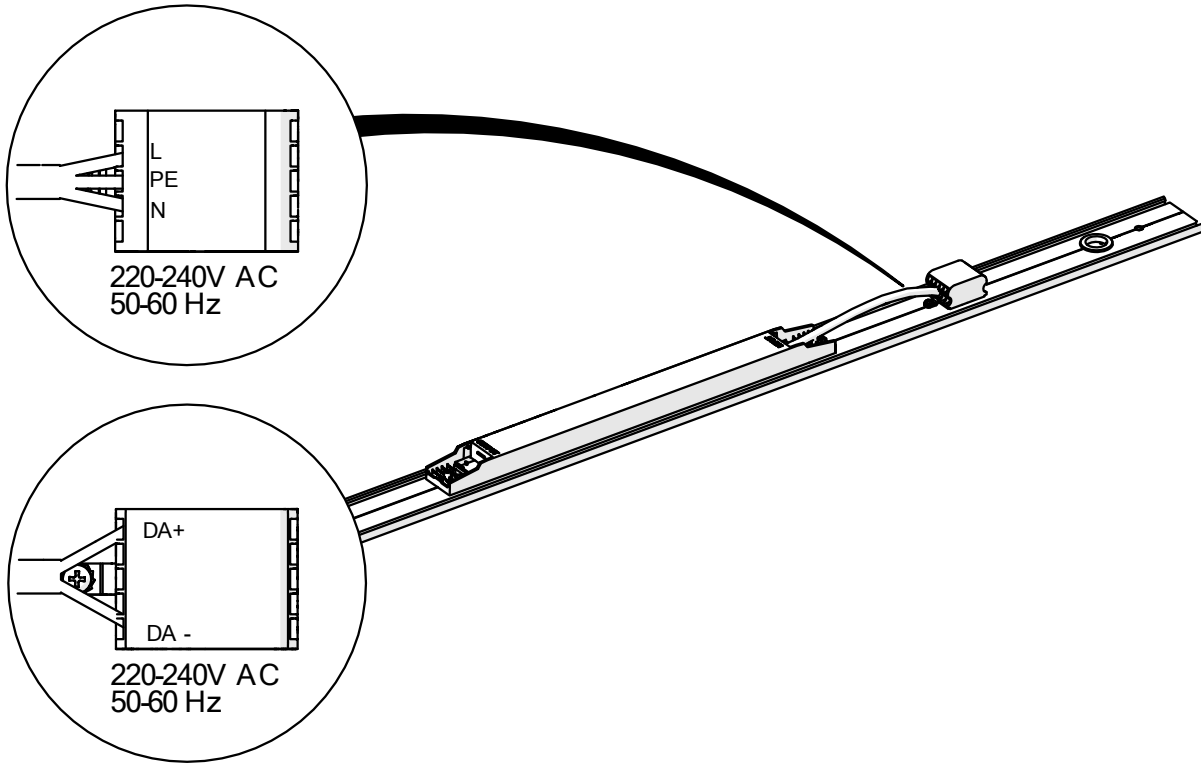
VIIb



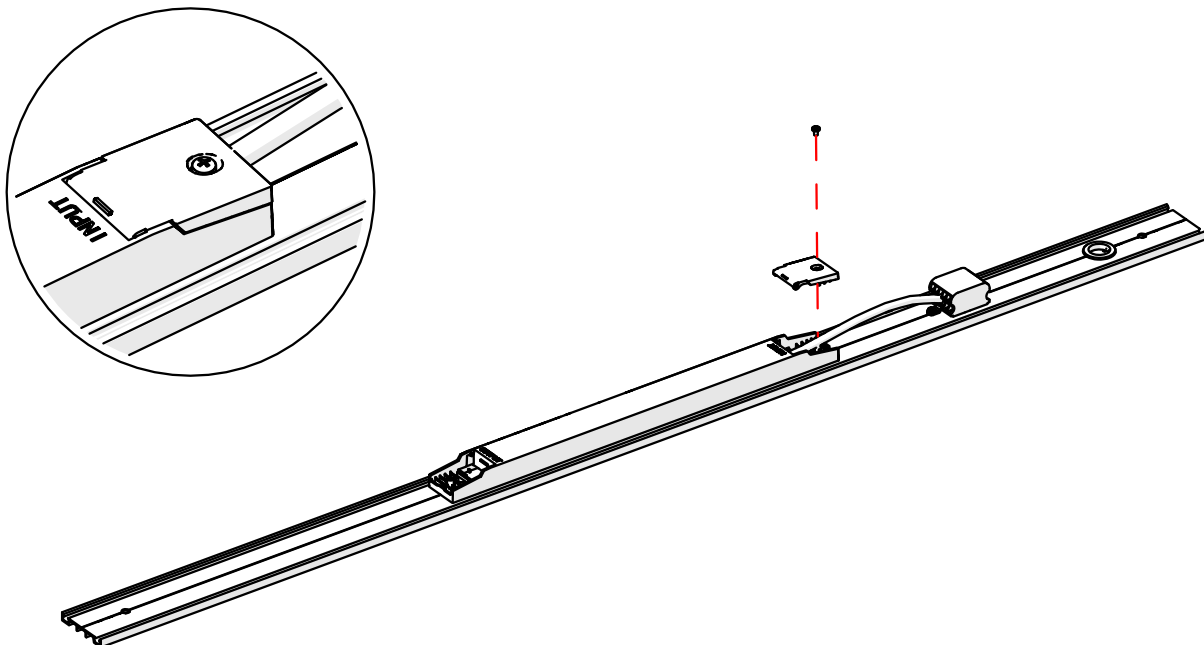
VIIIb



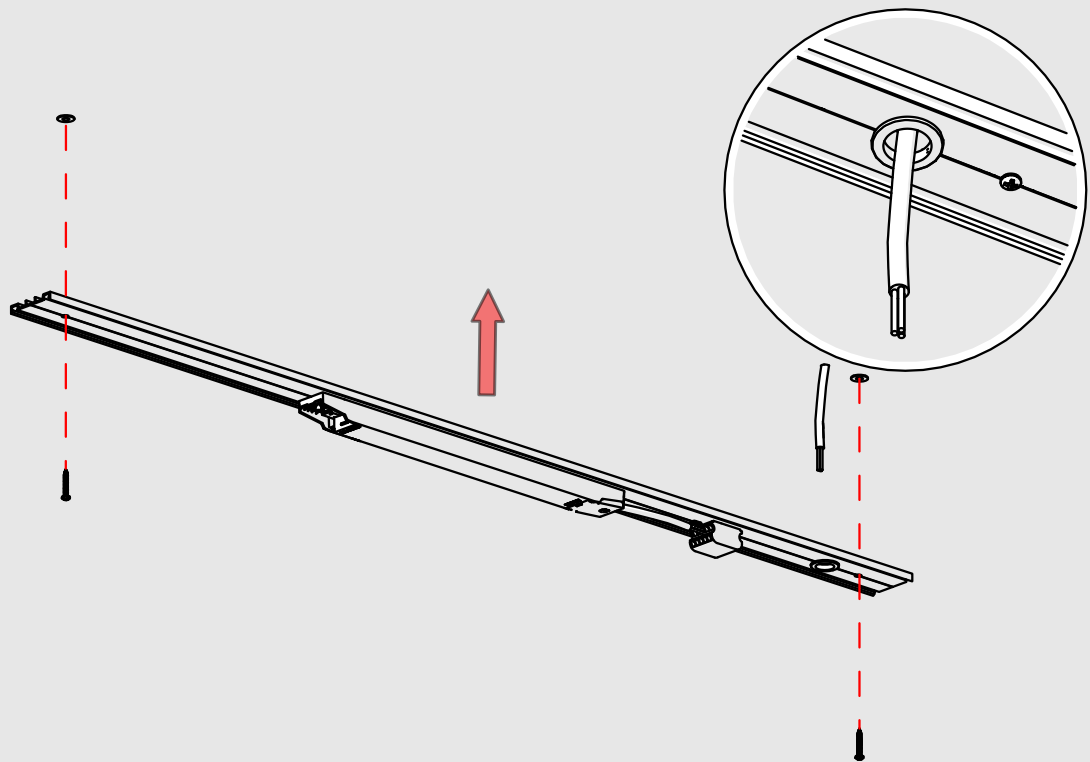
IXb



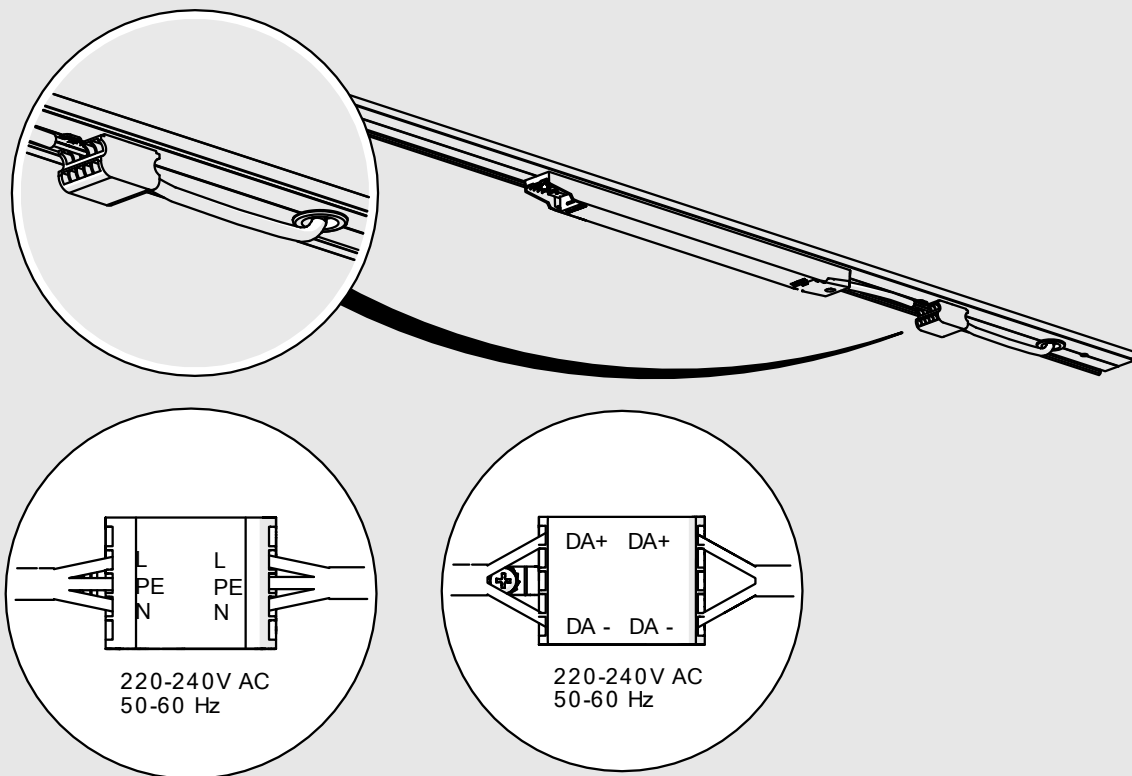
Xb



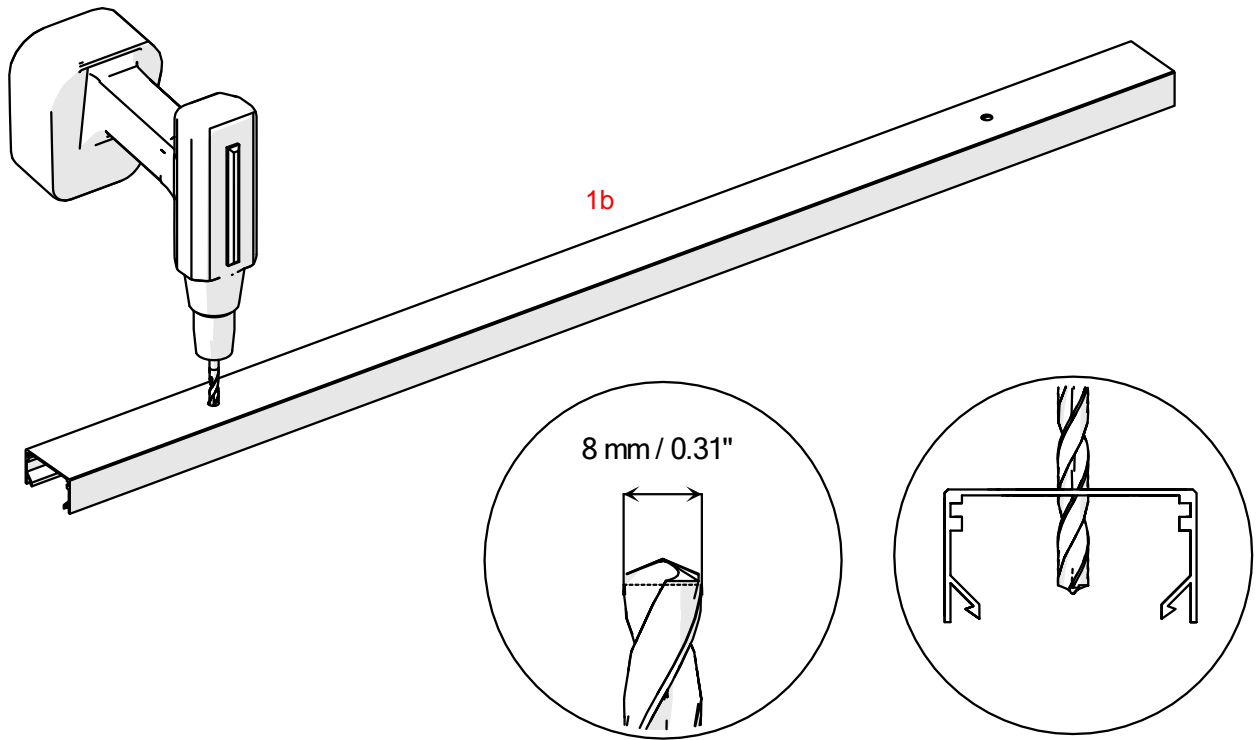
XIb



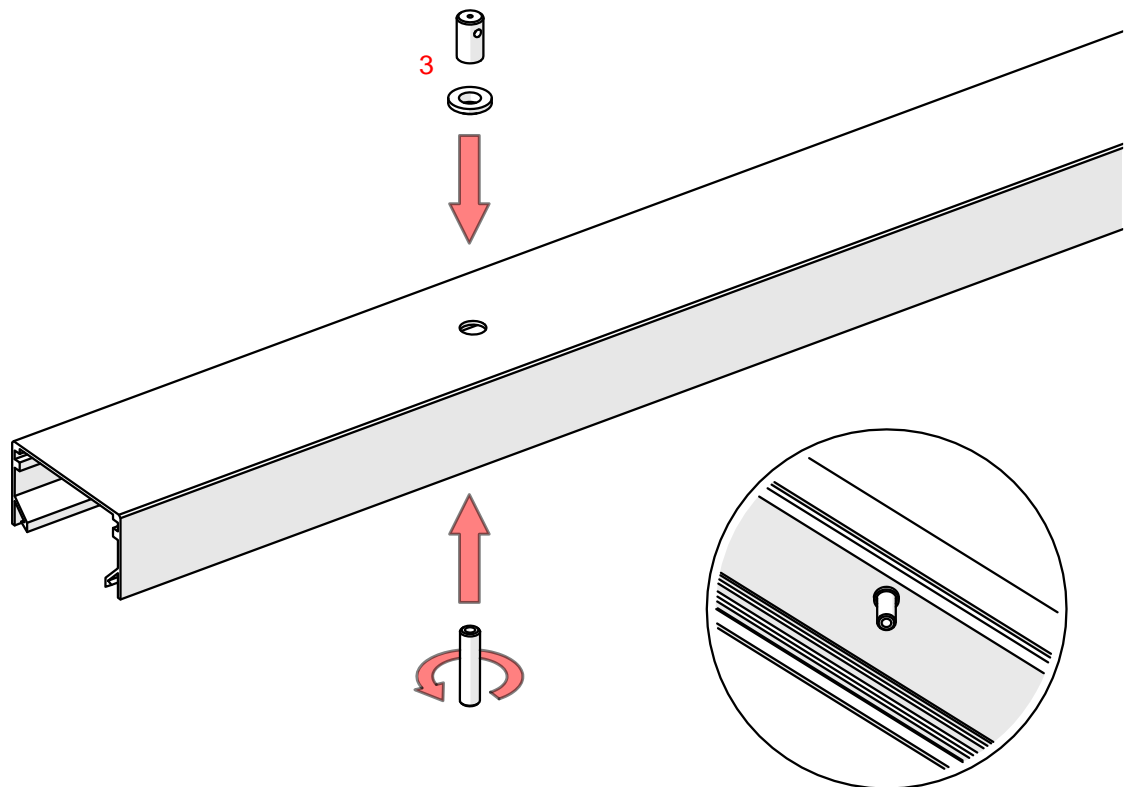
XIIb



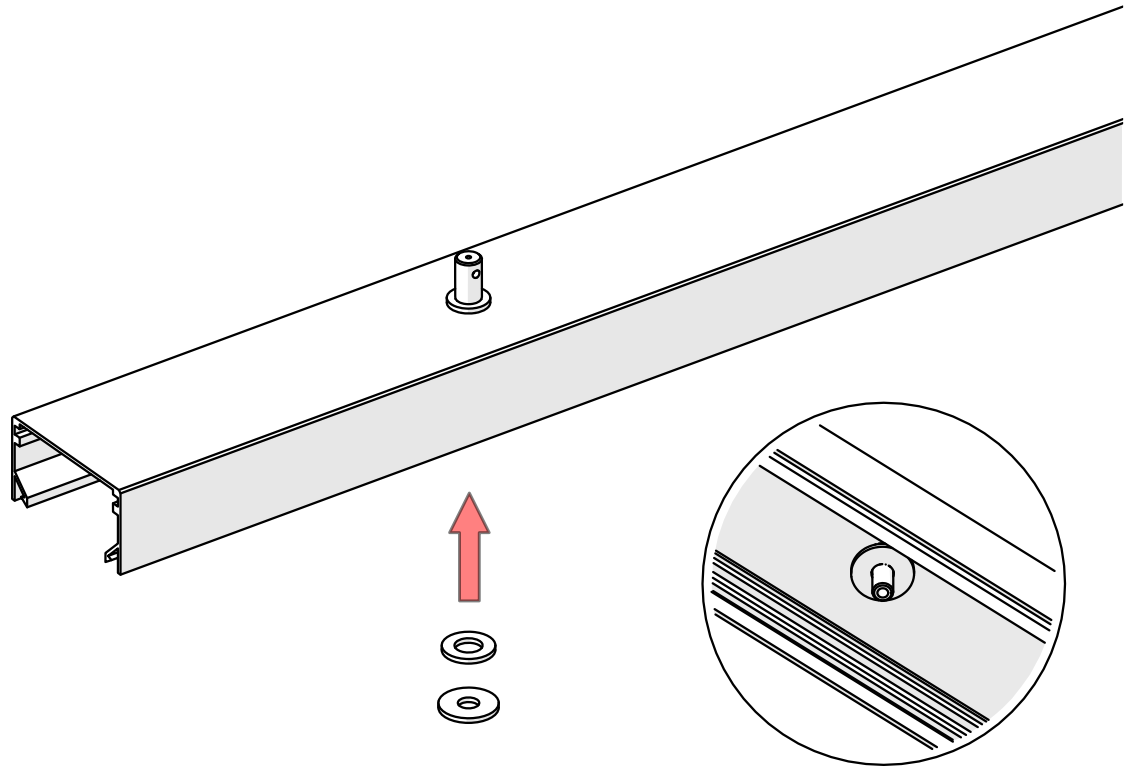
XIIIb



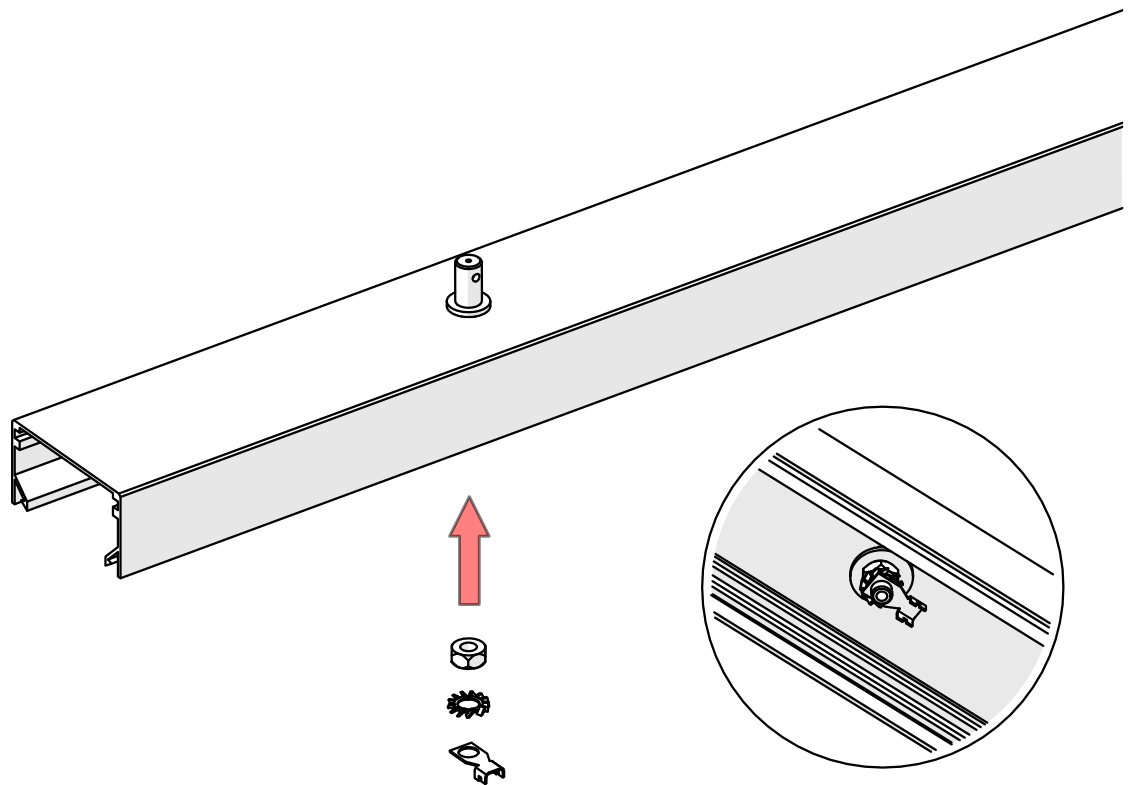
XIVb



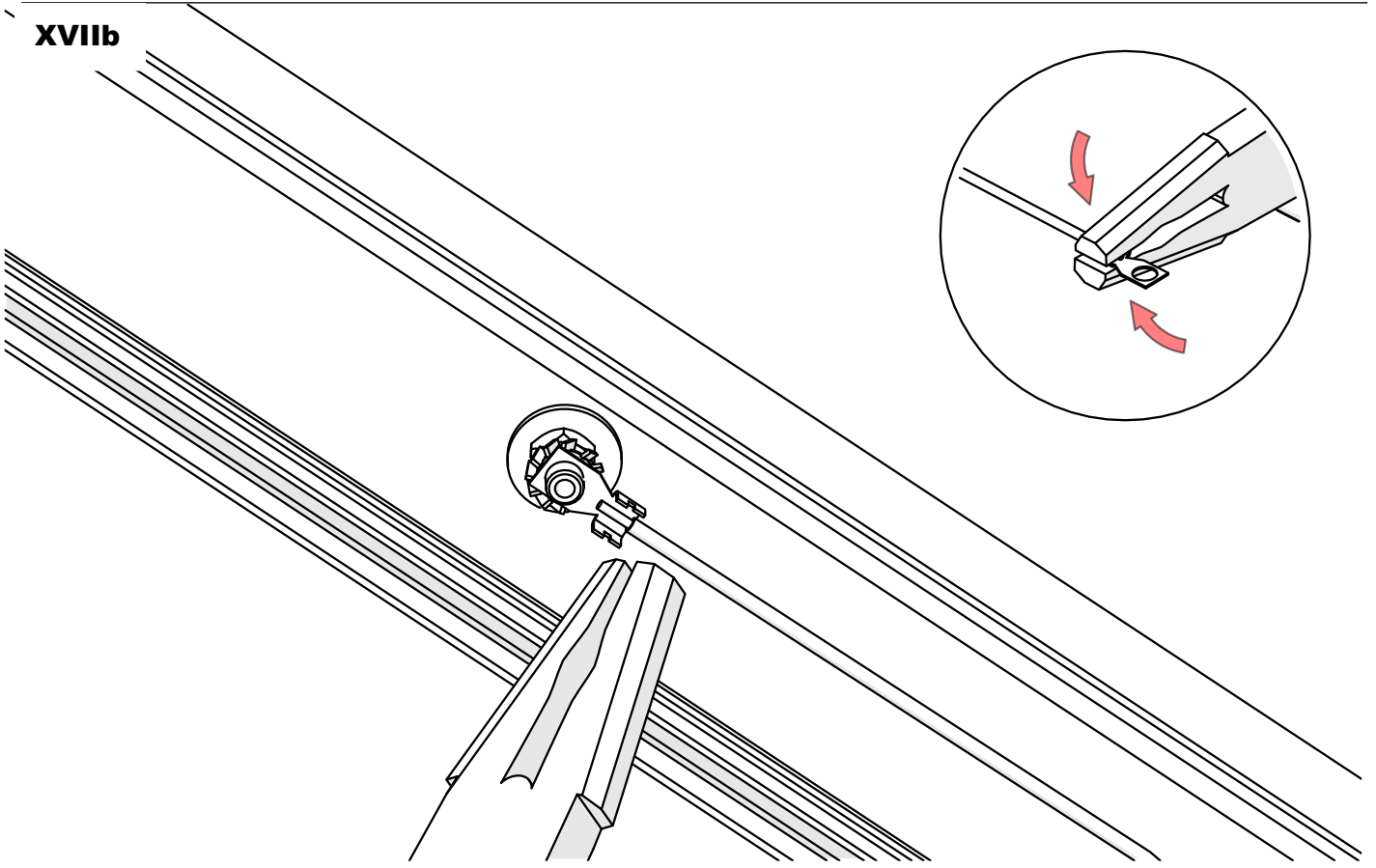
XVb



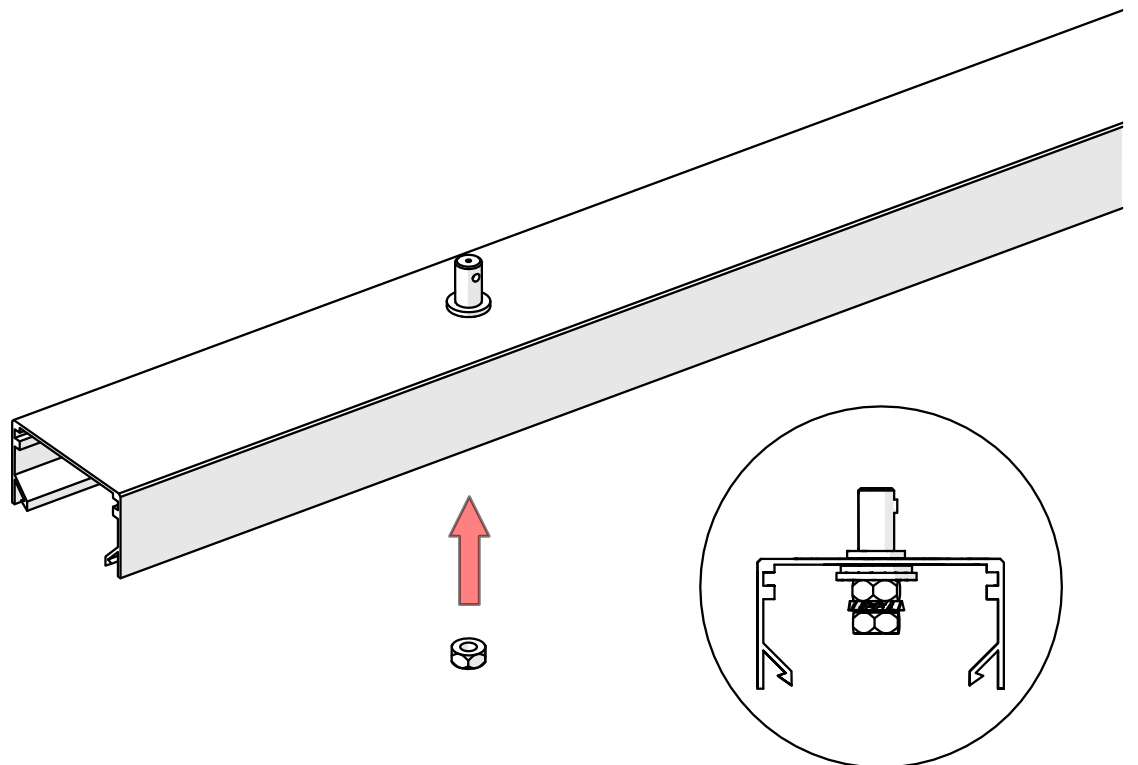
XVib



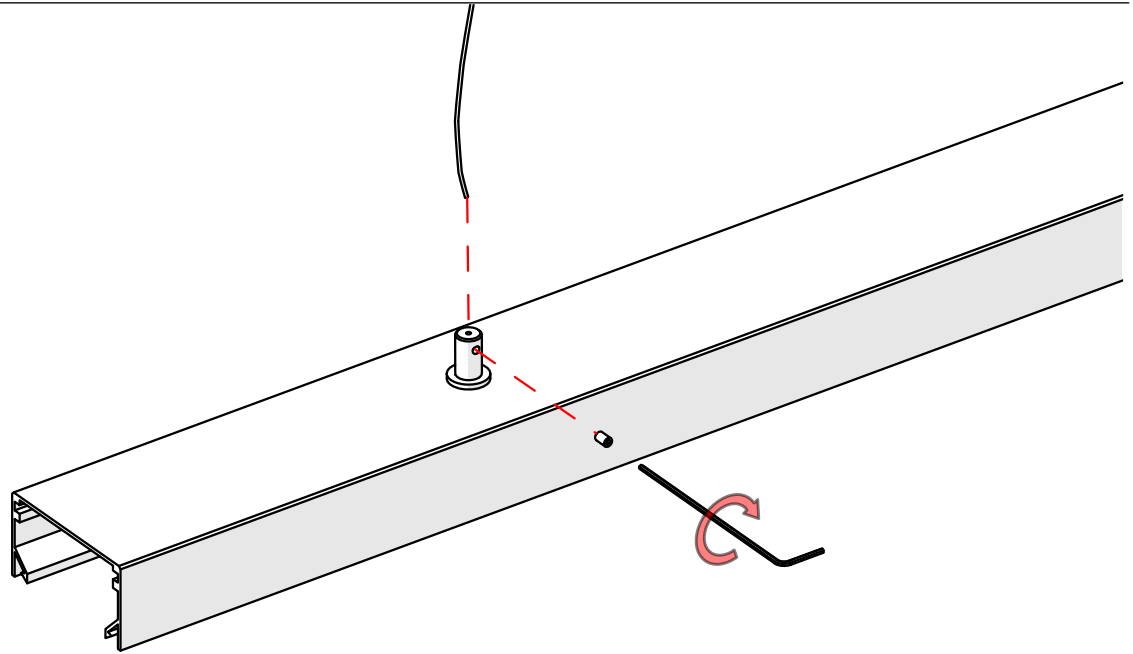
XVIIb



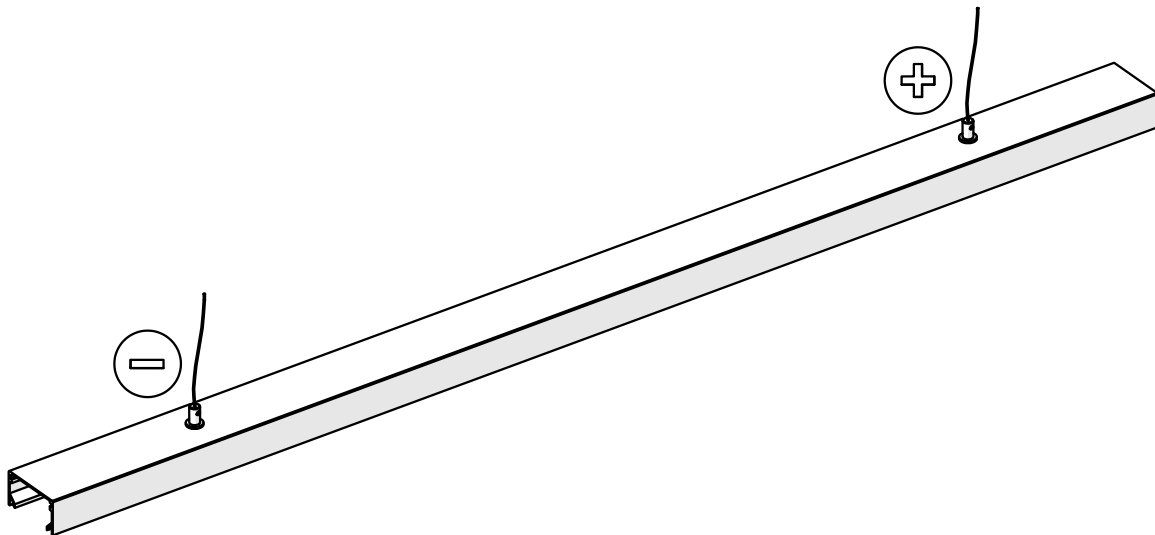
XVIIIb



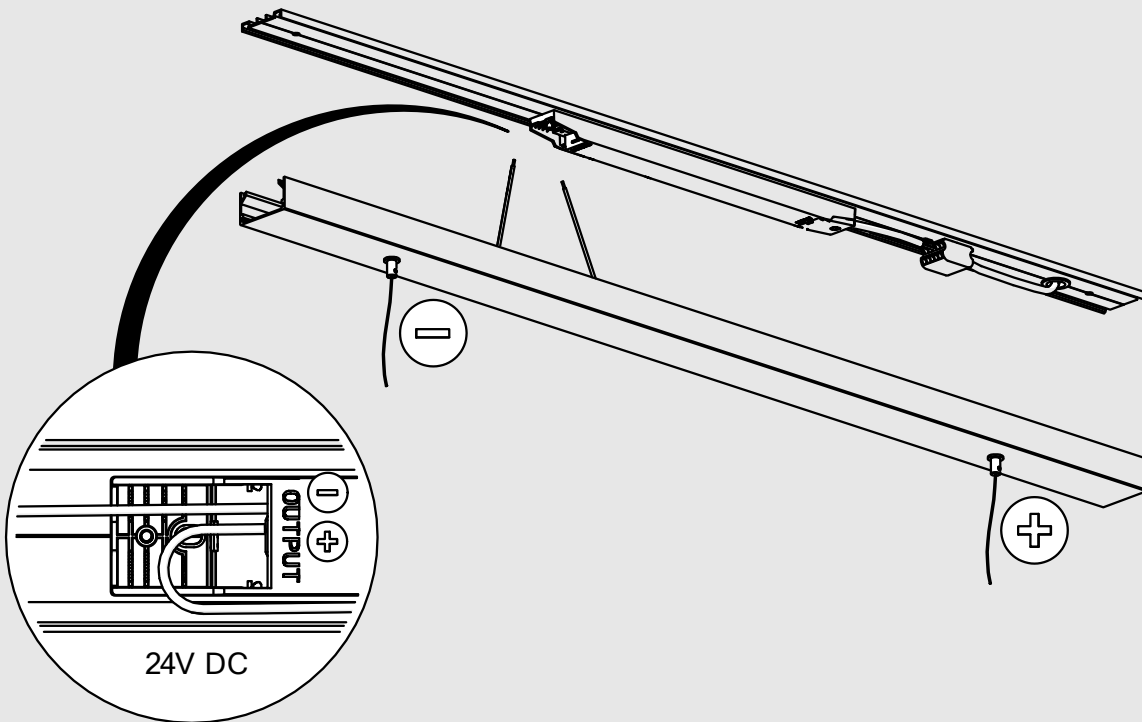
XIXb



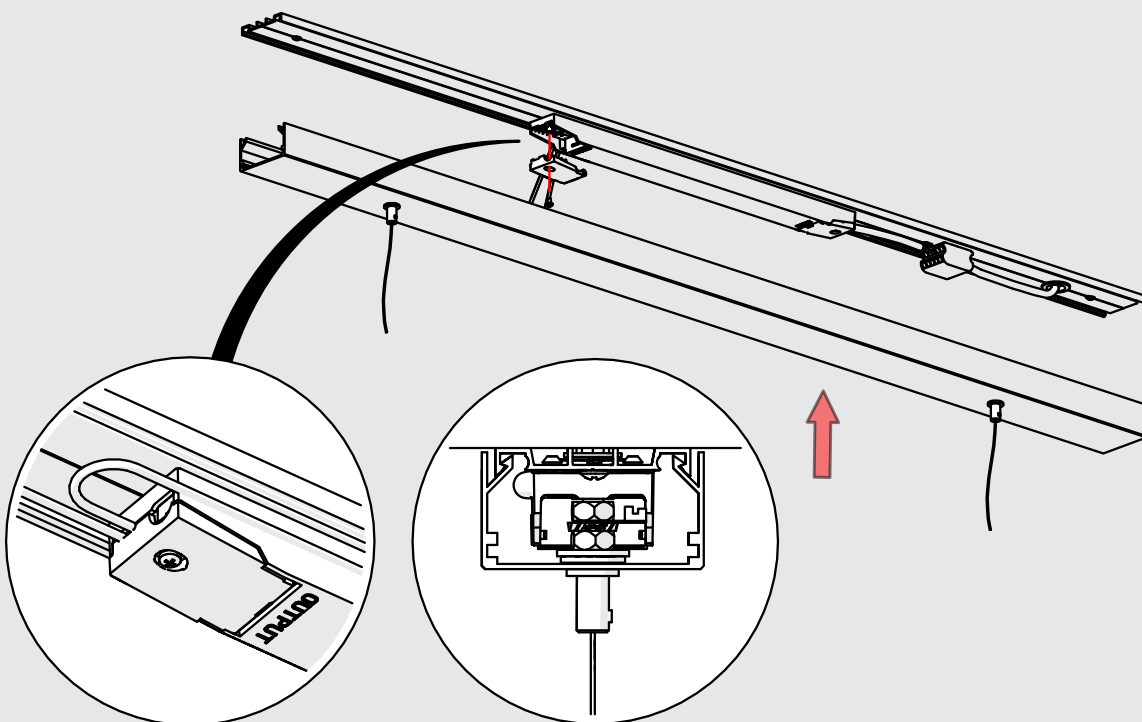
XXb



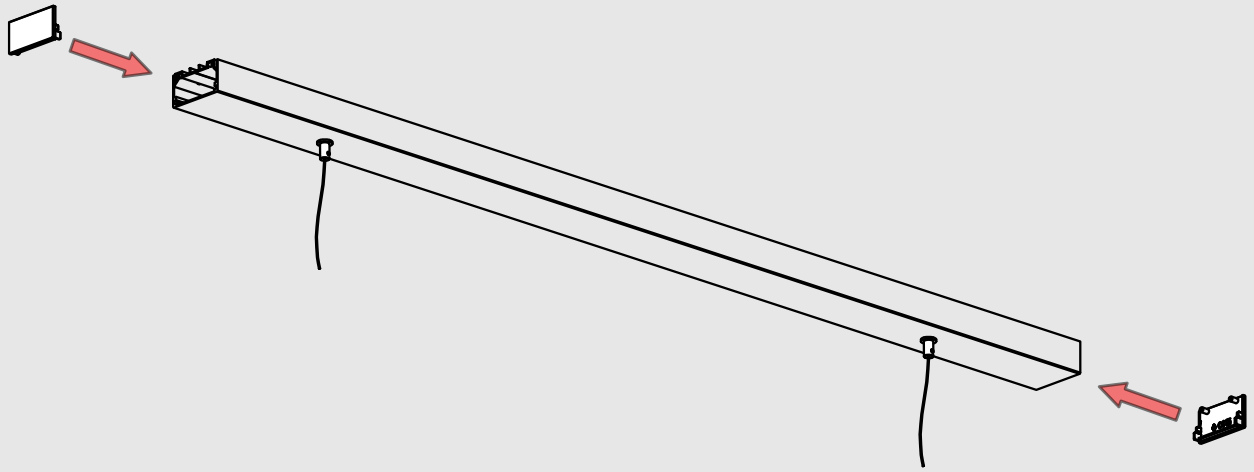
XXIb



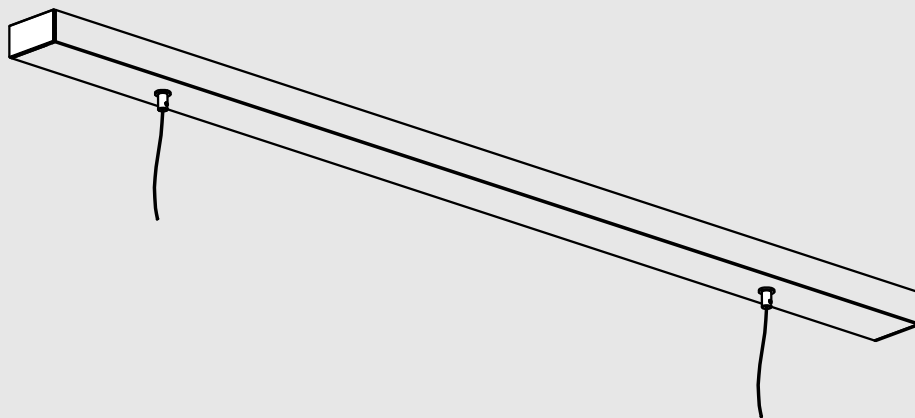
XXIIb



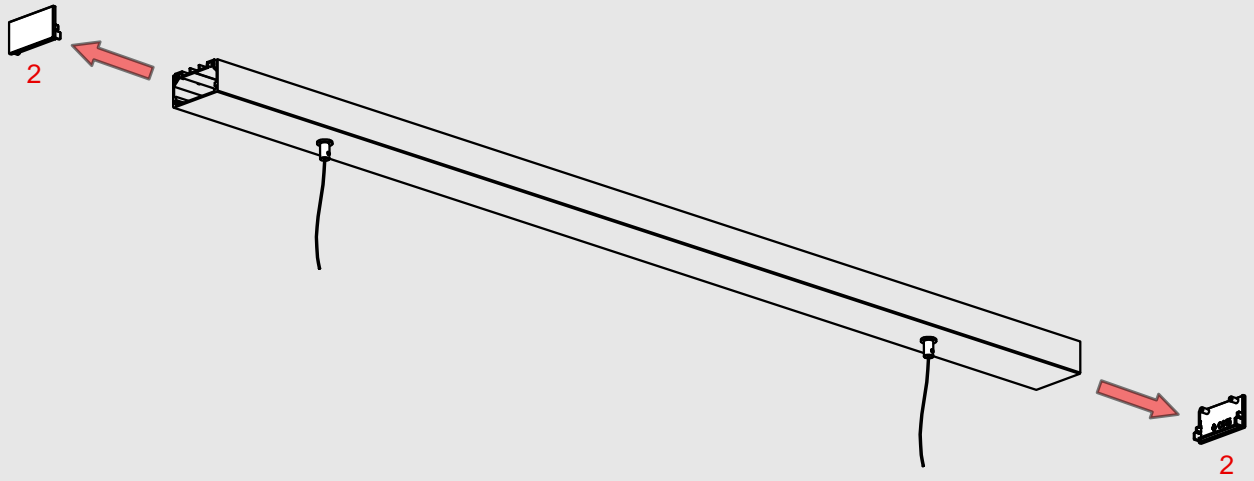
XXIIIb



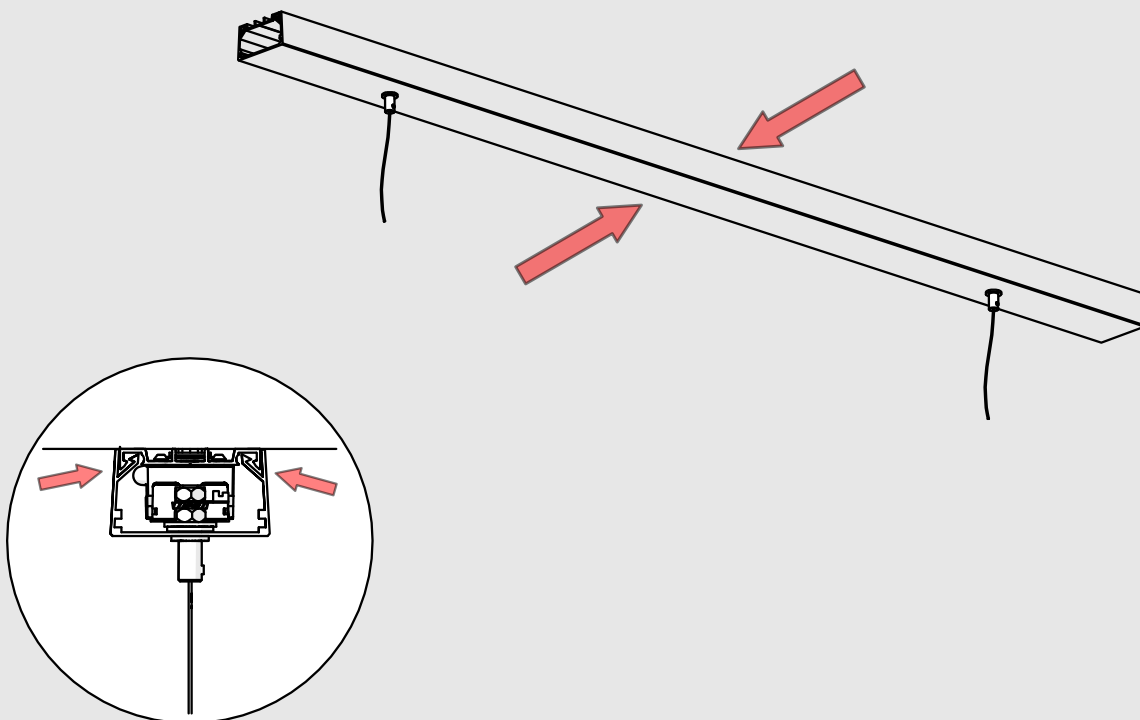
XXIVb



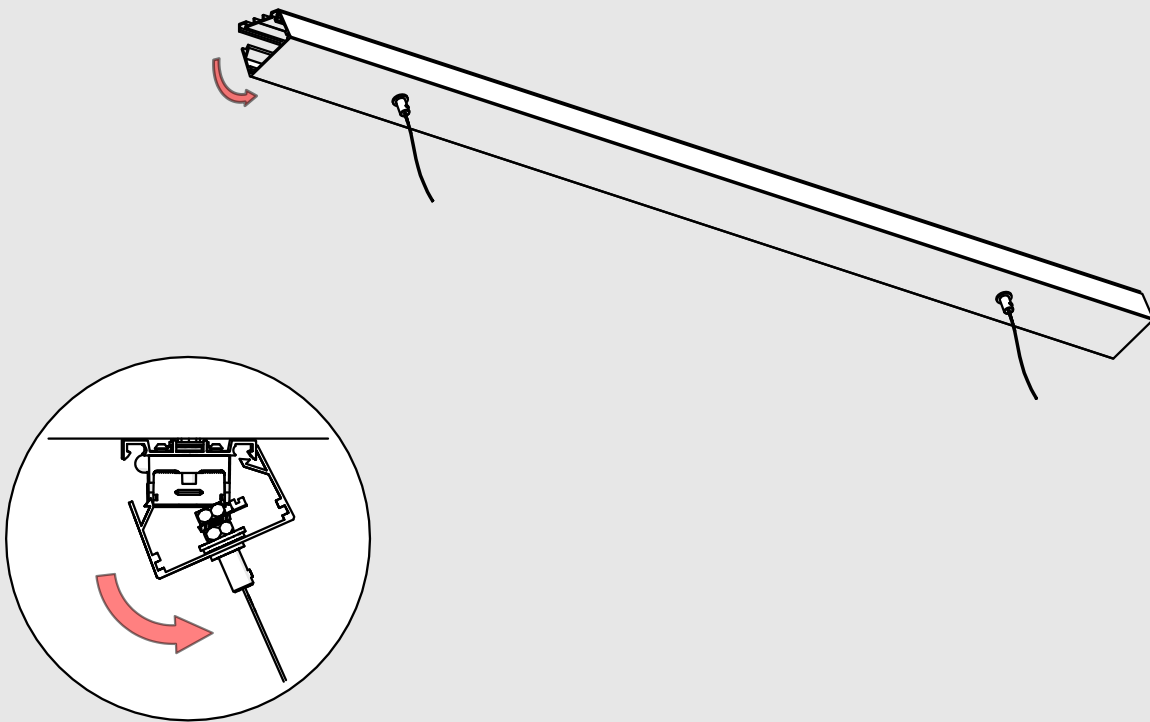
Ic



IIc



IIIc



IVc

