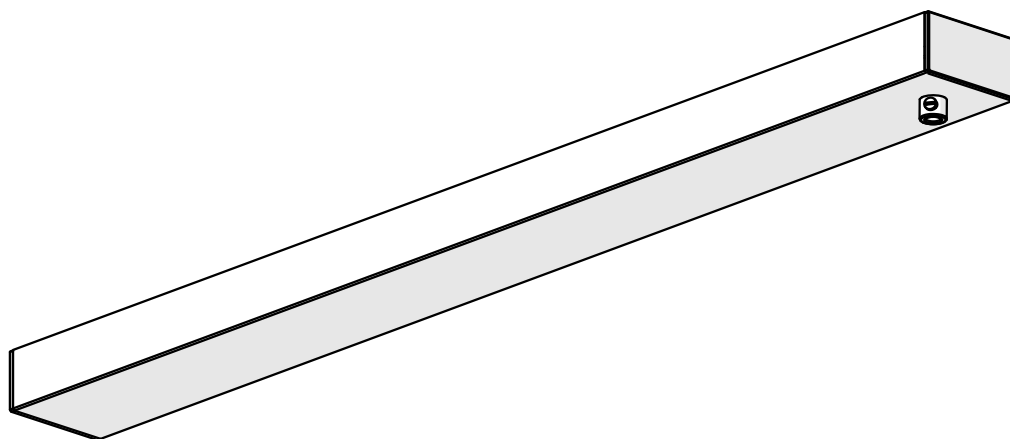
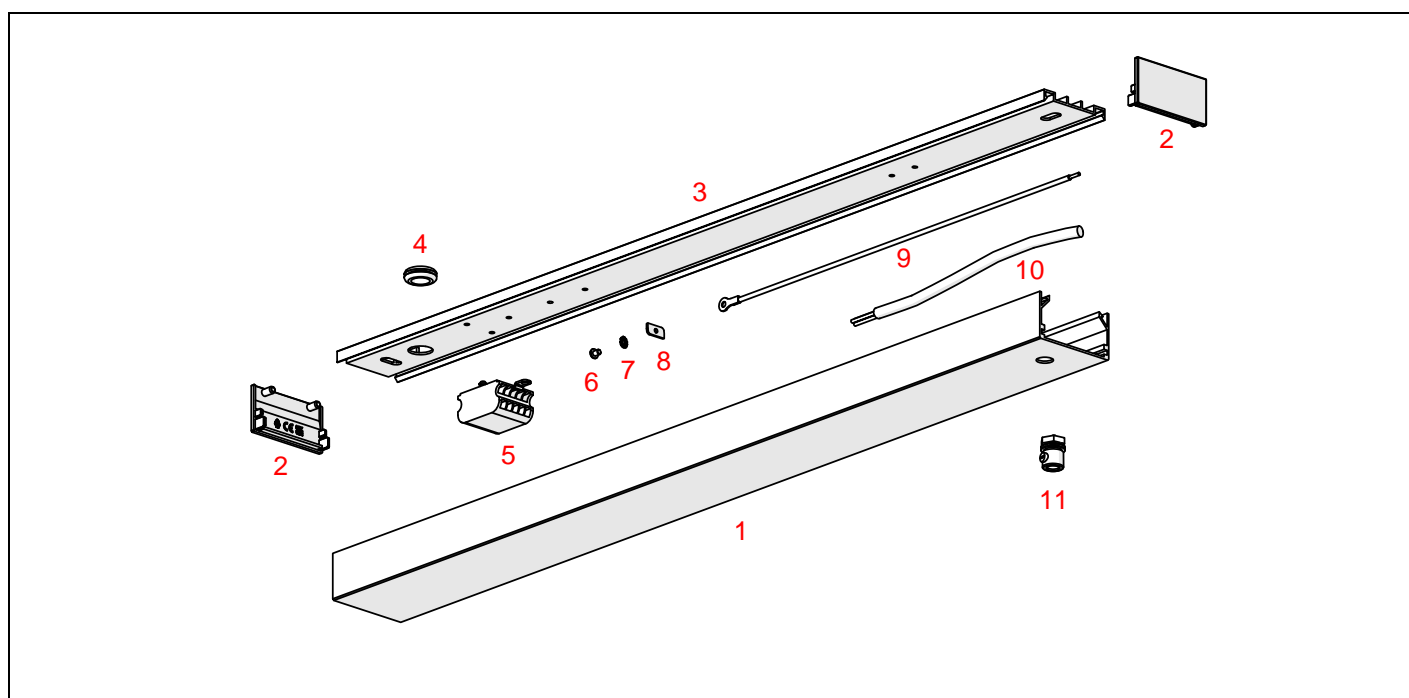
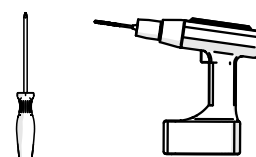
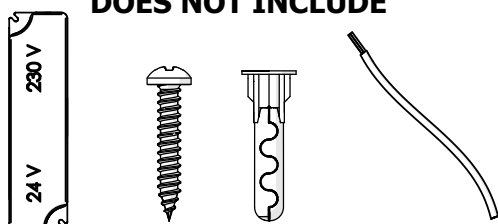


BOX-M600





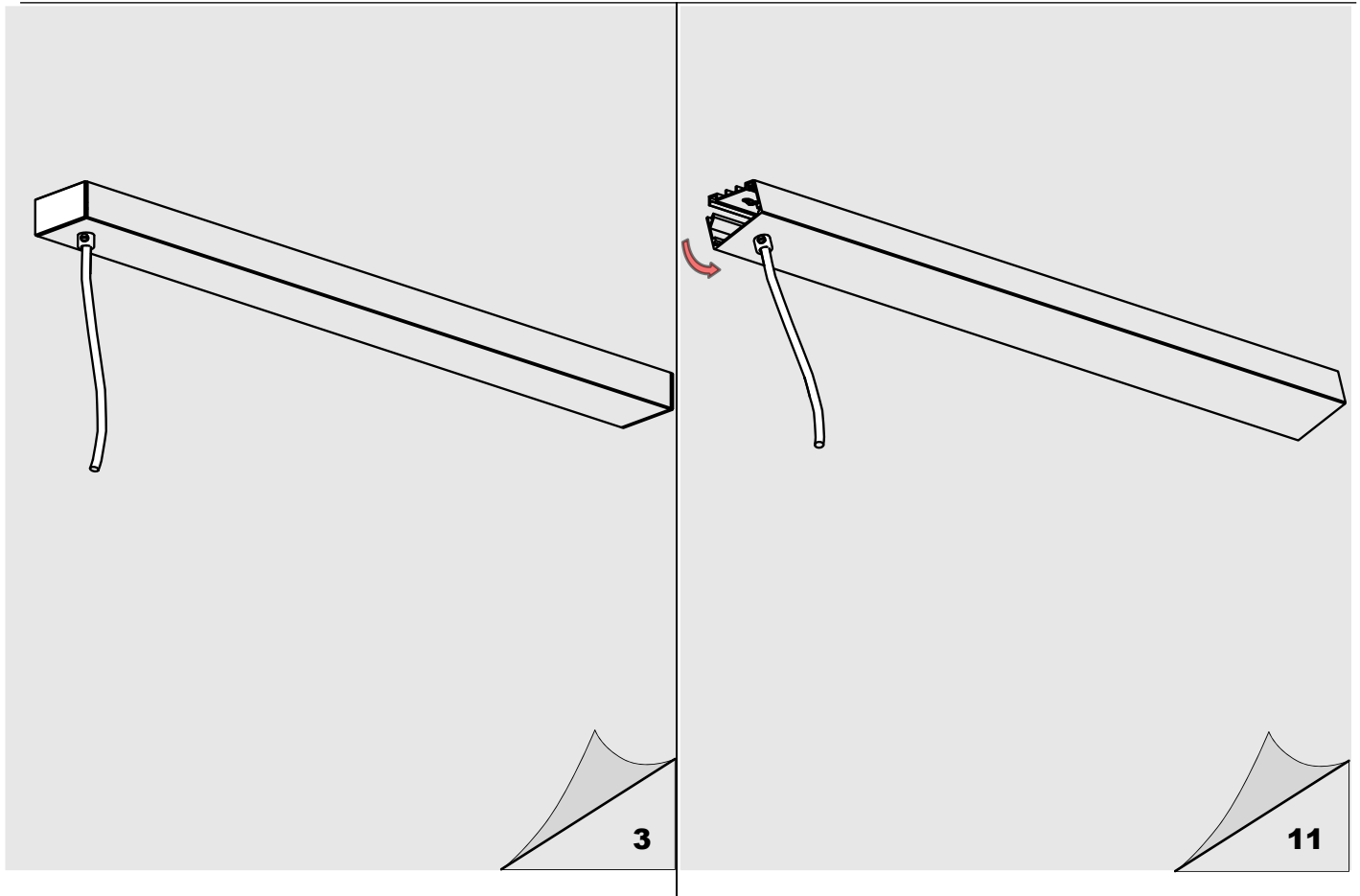
DOES NOT INCLUDE



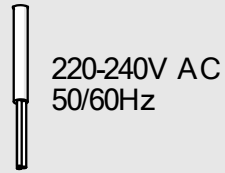
BOX-M600 (ref. C24542)

1. Profile BOX-M70
2. End cap BOX-M
3. Profile BOX-T70
4. Gland
5. Electric cube
6. Screw M3x4
7. Locking washer M3
8. ZM nut
9. Ground wire with power connector M3
10. Wire 5 x 0,75 mm²
11. Cable strain relief

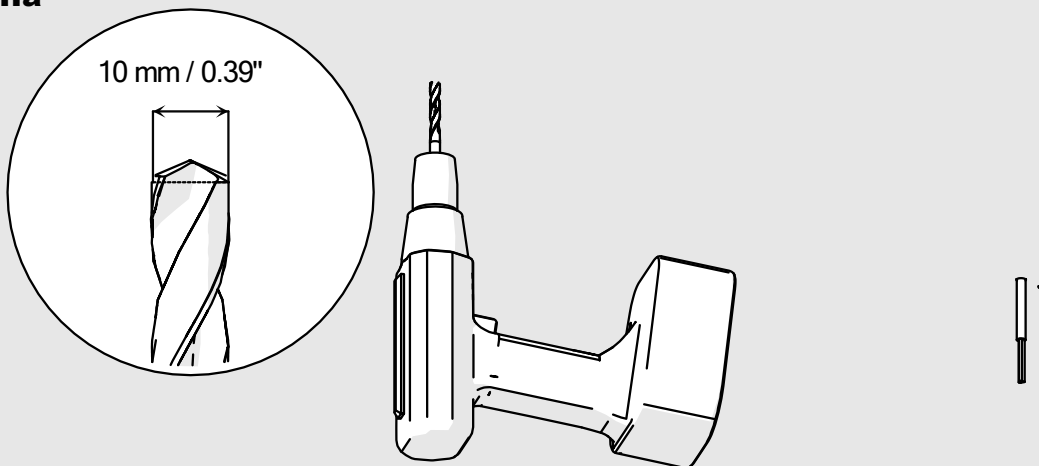
IMPORTANT: Not all possible mounting procedures are presented here. More mounting procedures and related accessories can be found at www.KlusDesign.eu. Drawings in these instructions are simplified and only approximate the actual shapes.



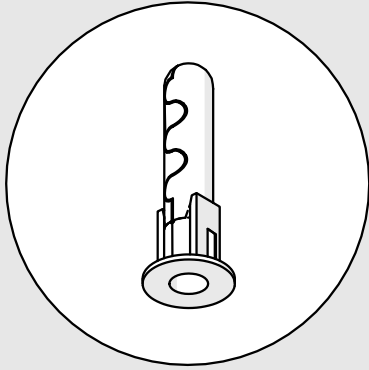
Ia



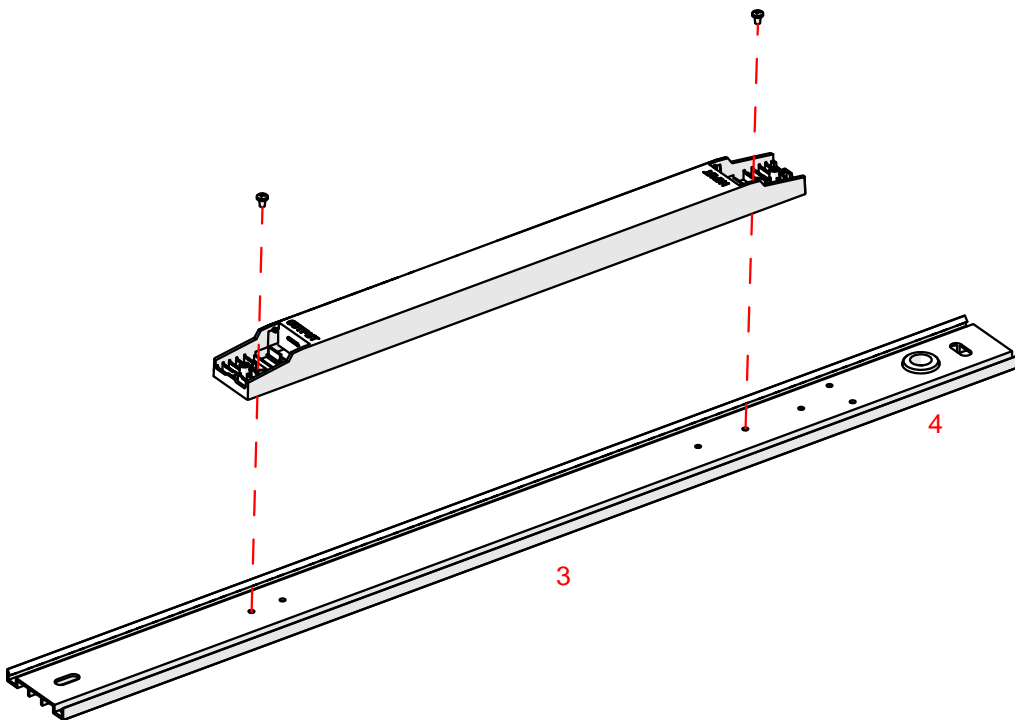
Ila



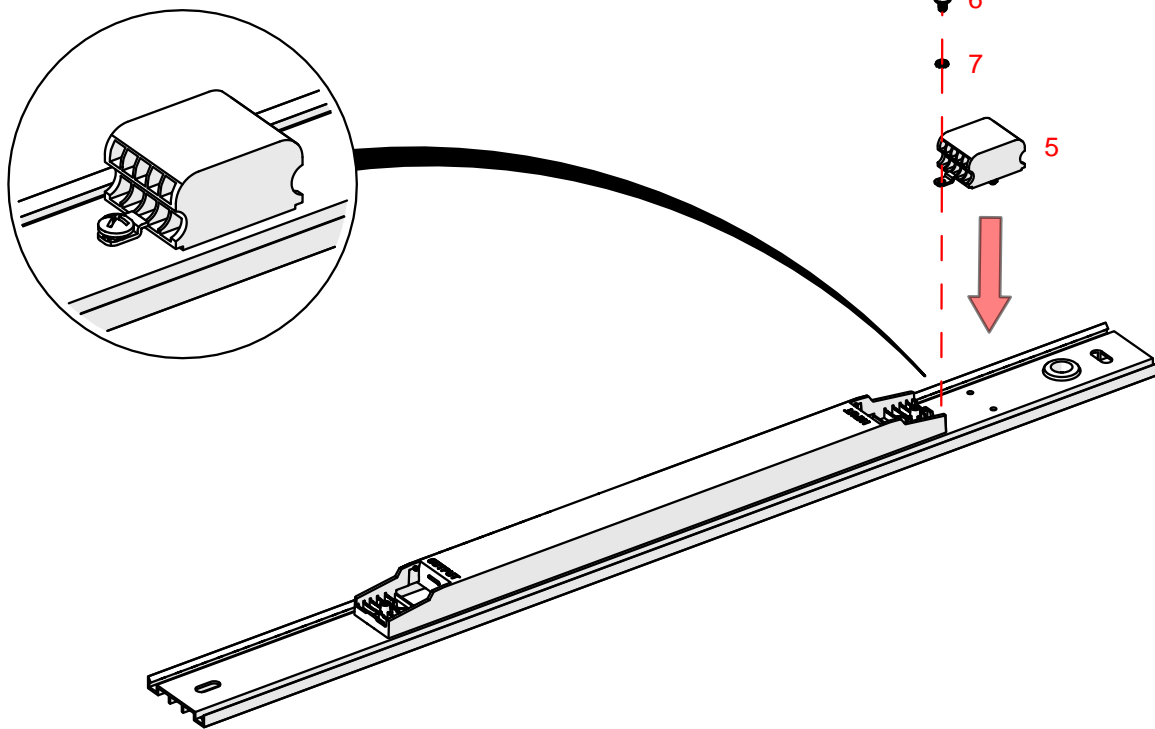
IIIa



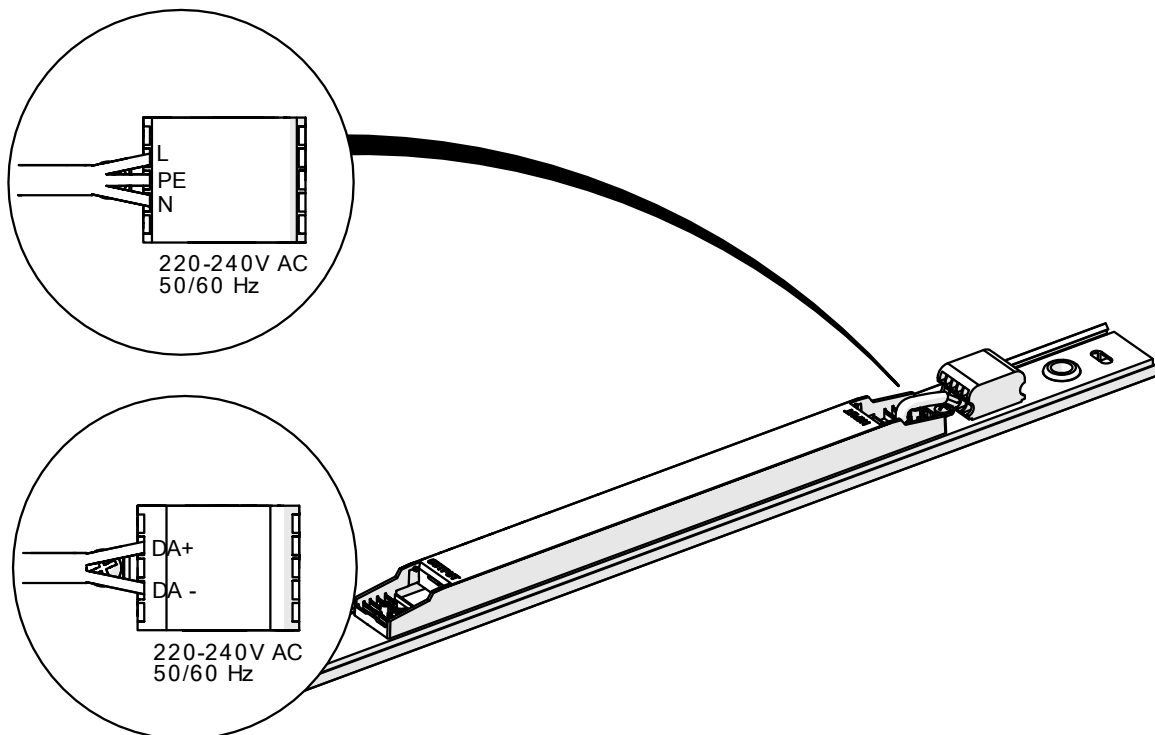
IVa



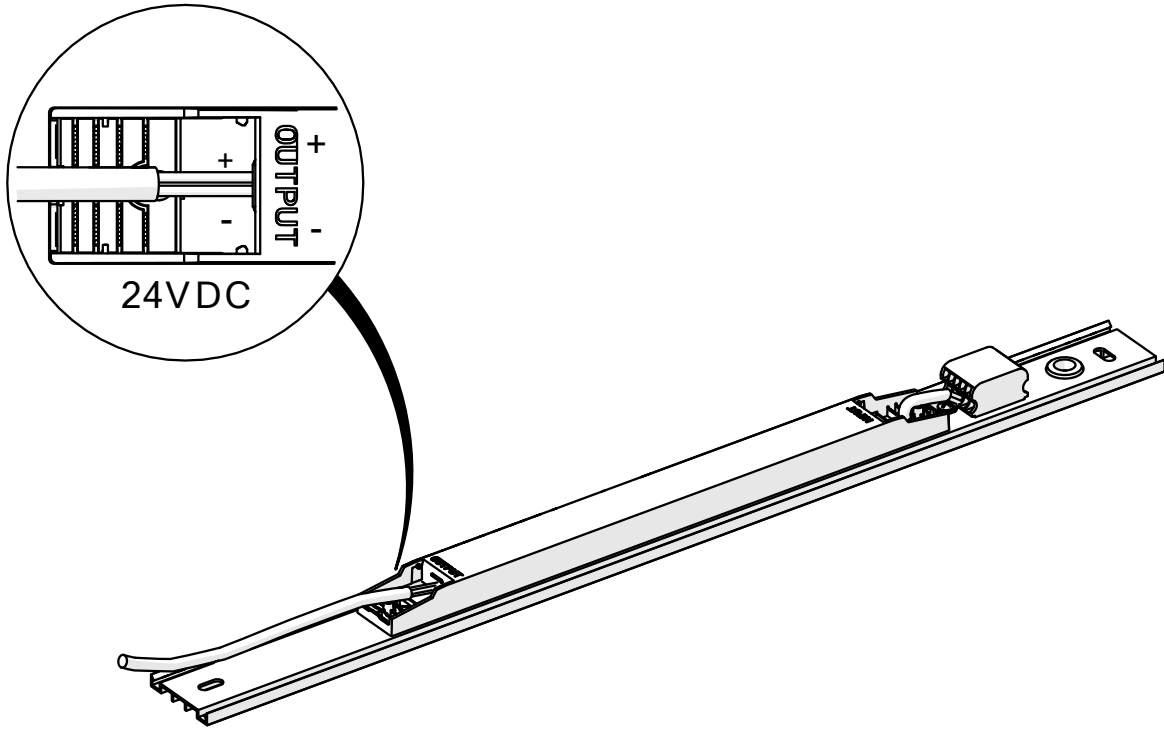
Va



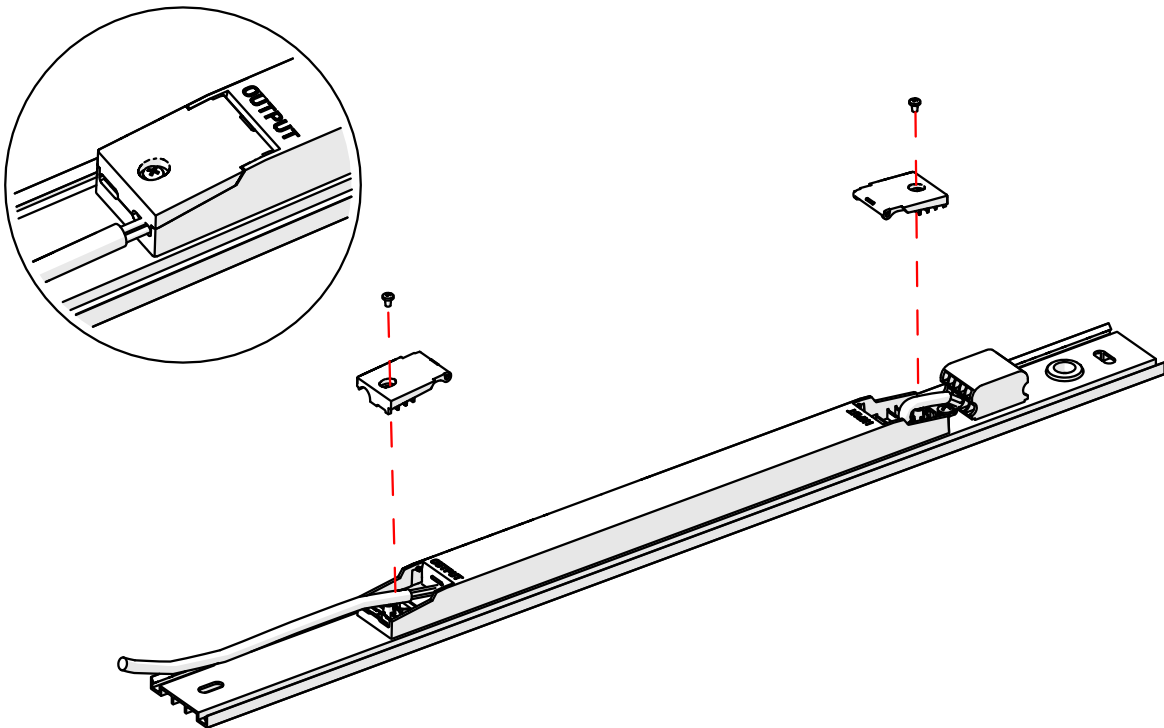
Vla



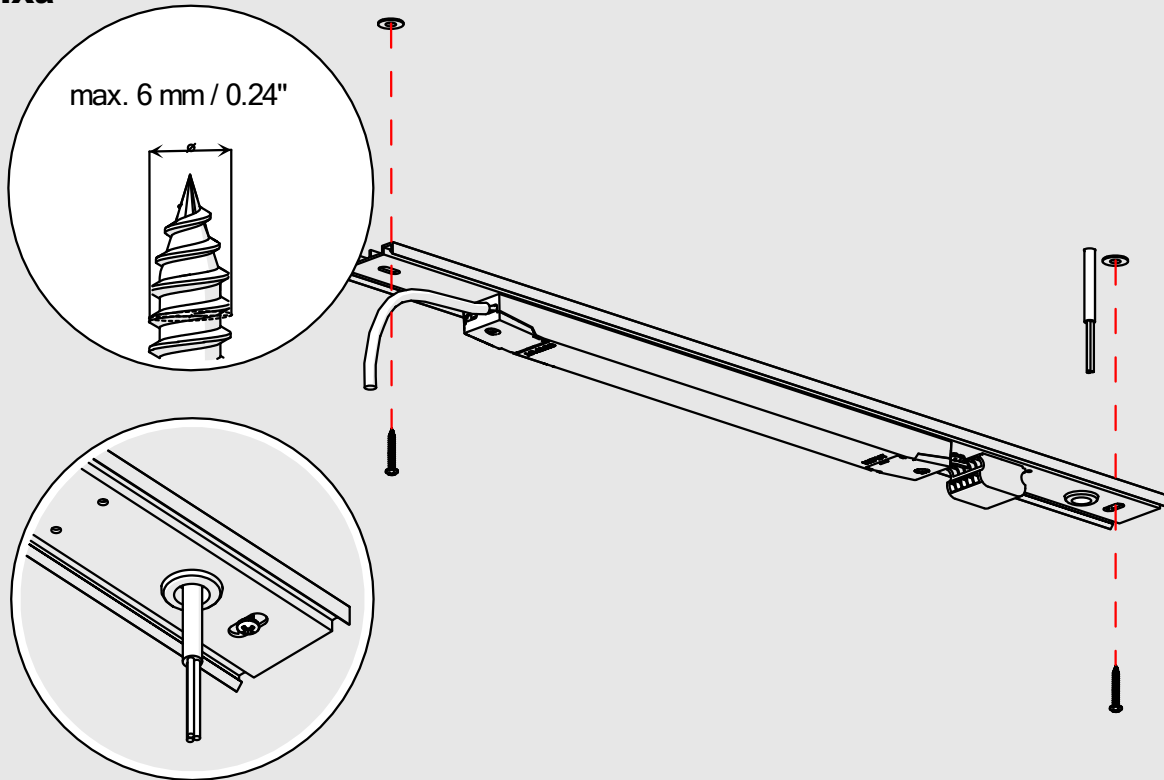
VIIa



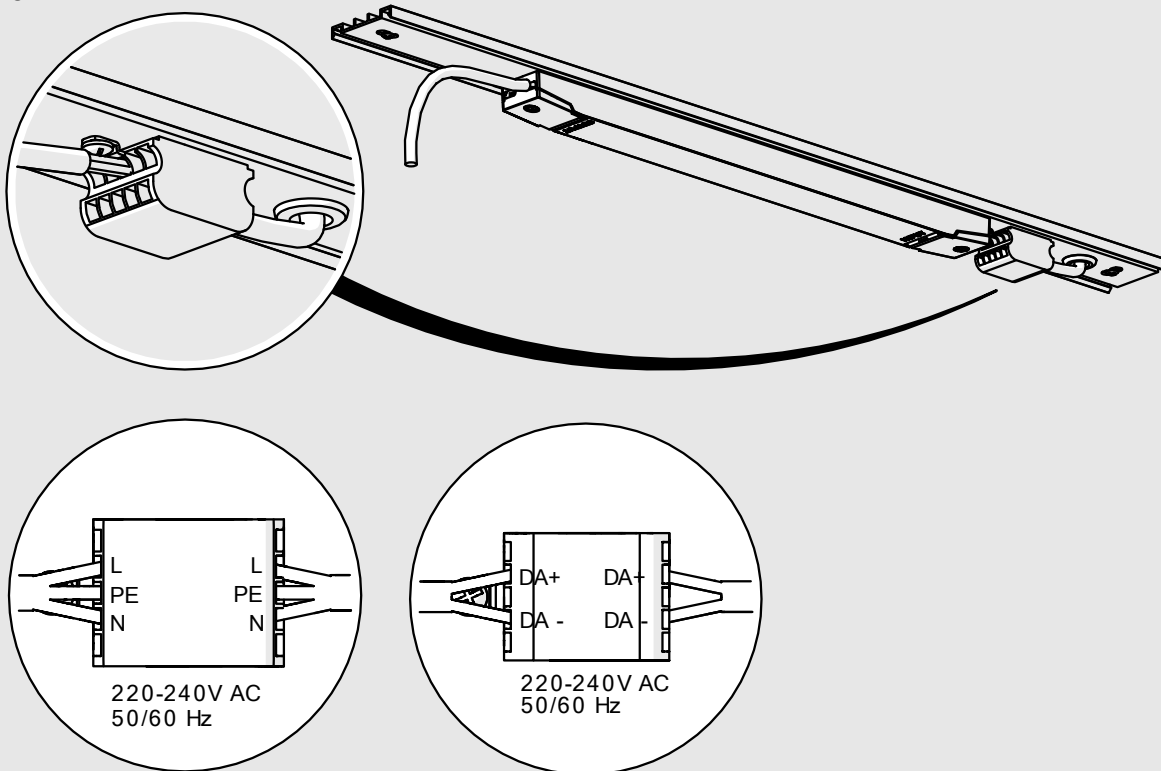
VIIIa

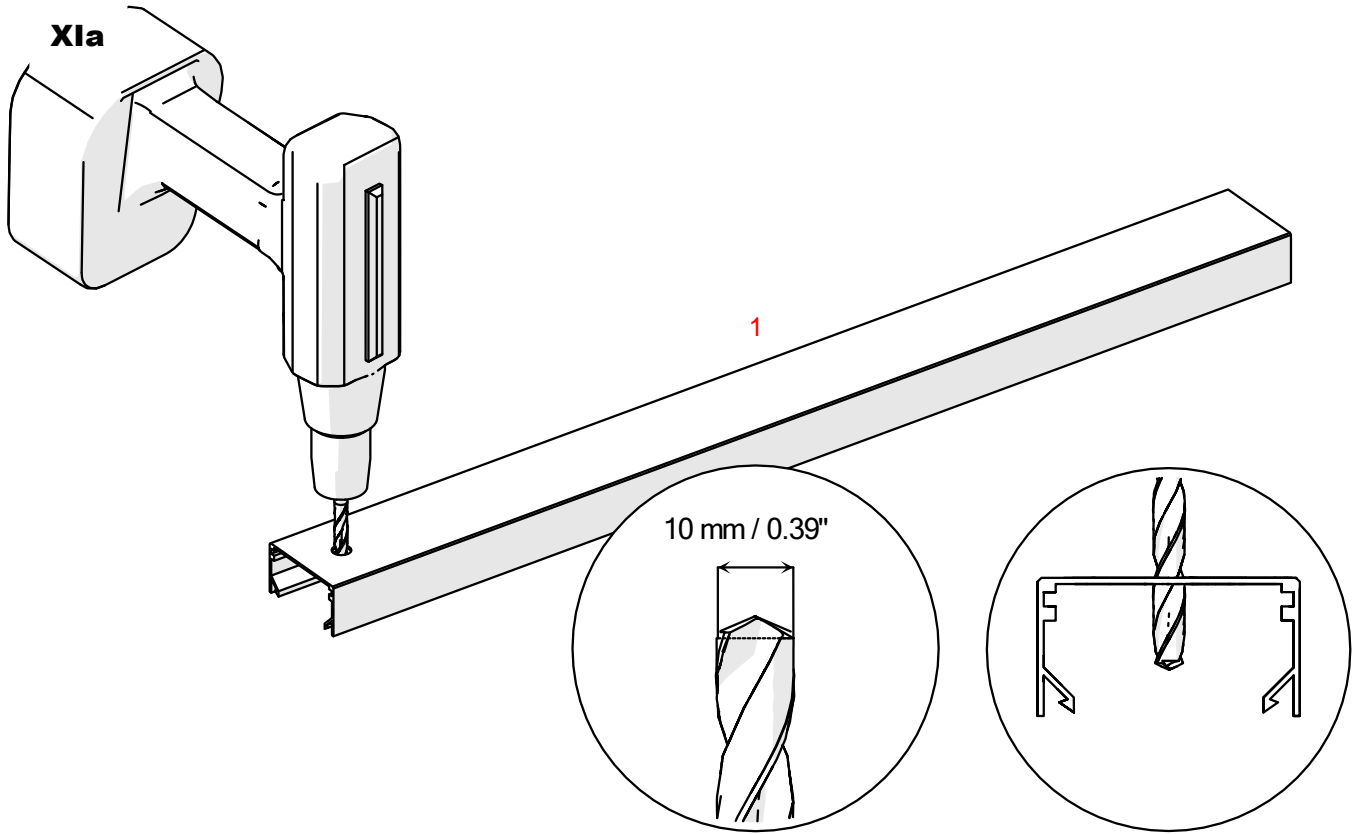


IXa

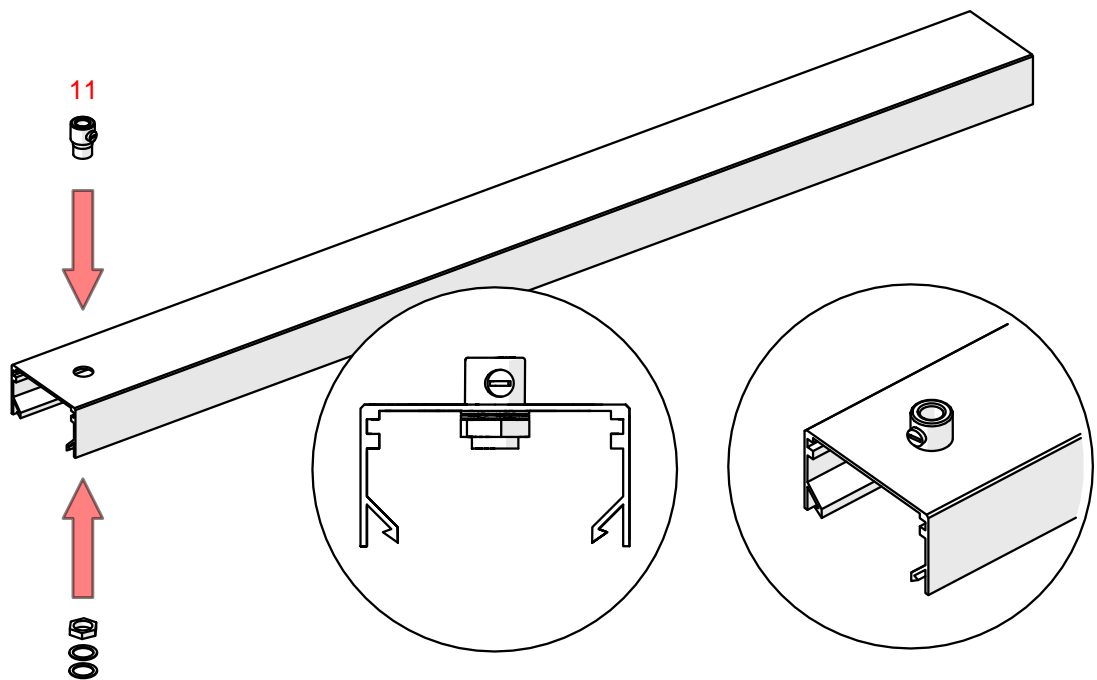


Xa

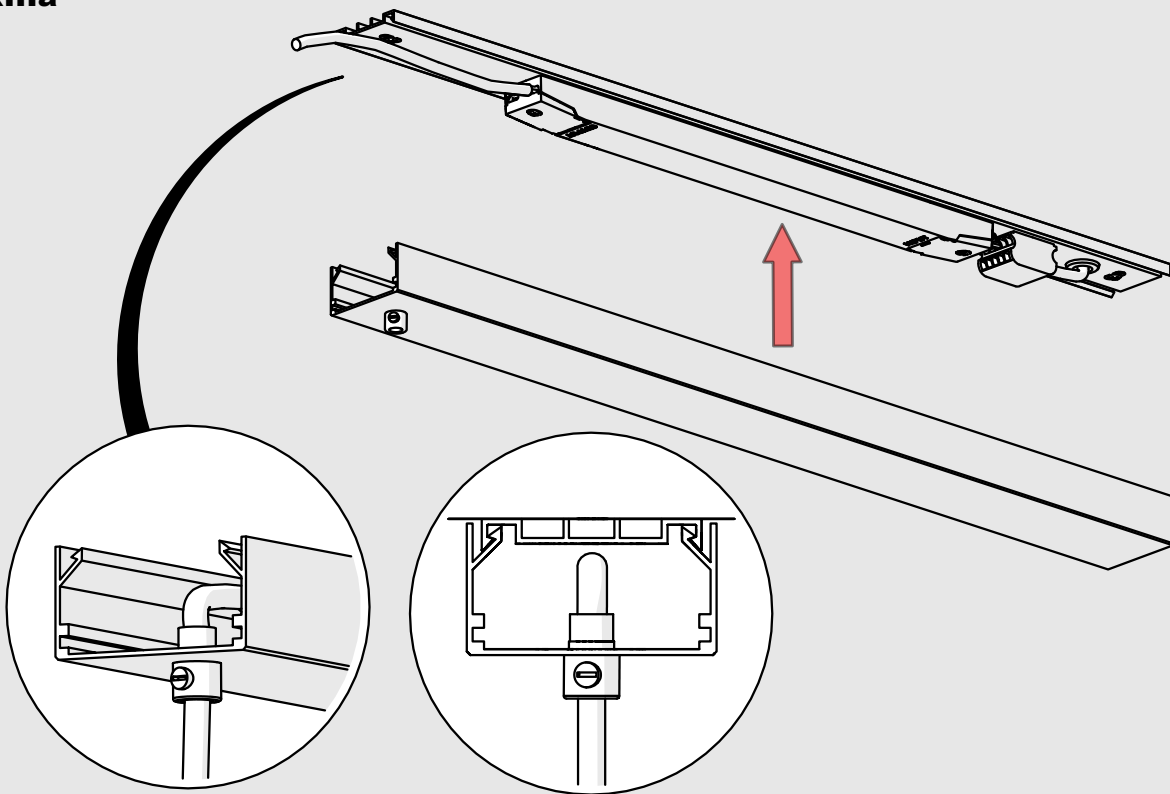




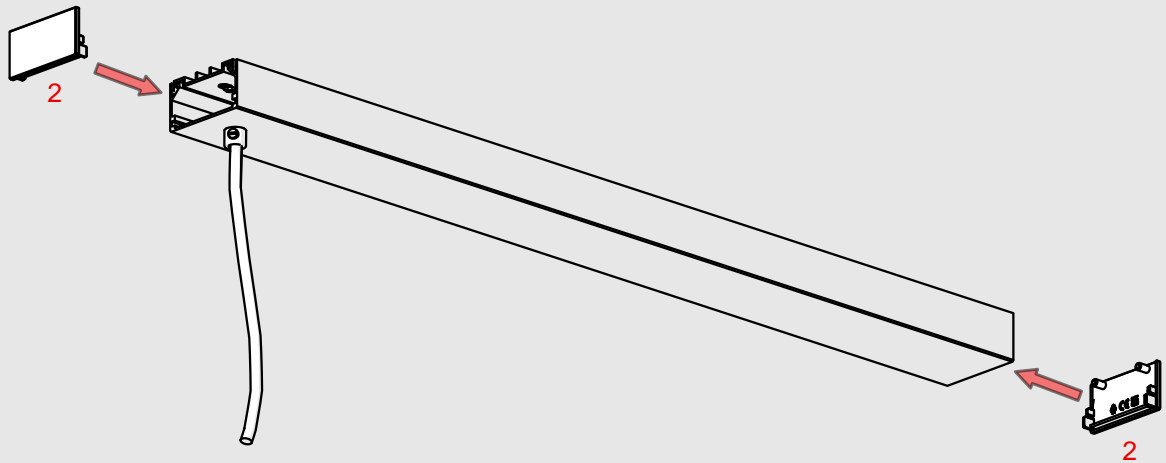
XIIa



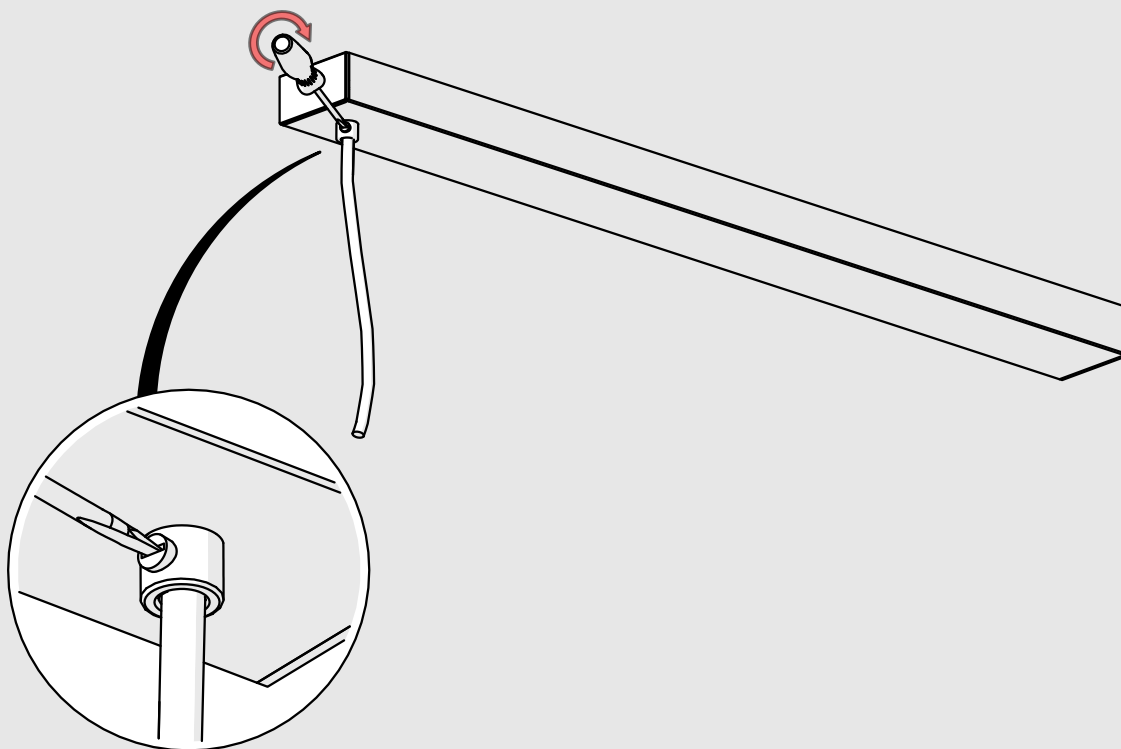
XIIIa



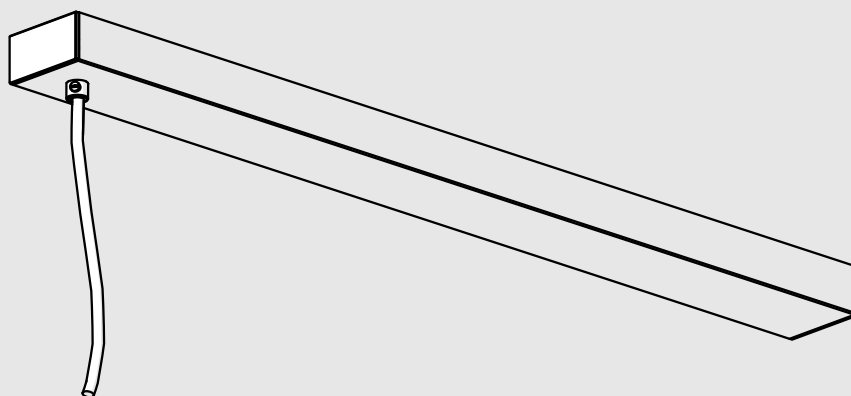
XIVa



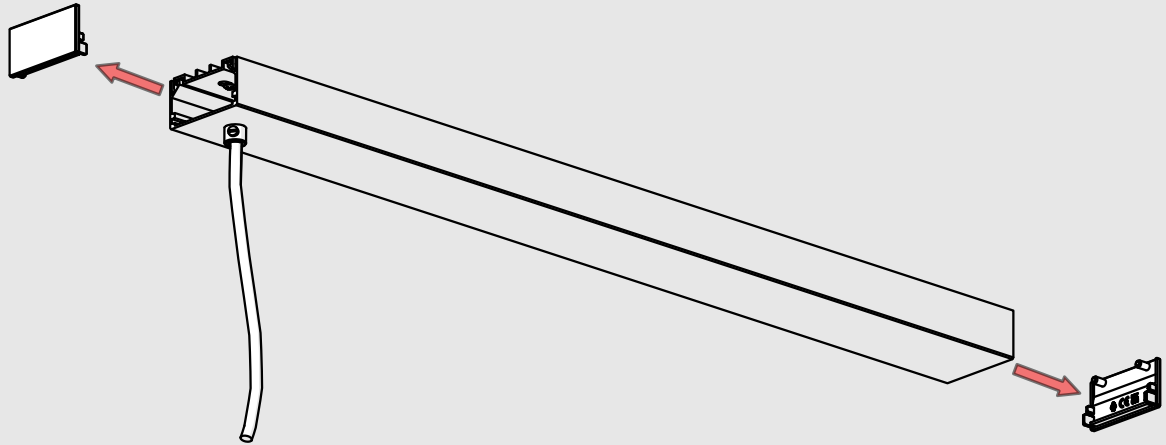
XVa



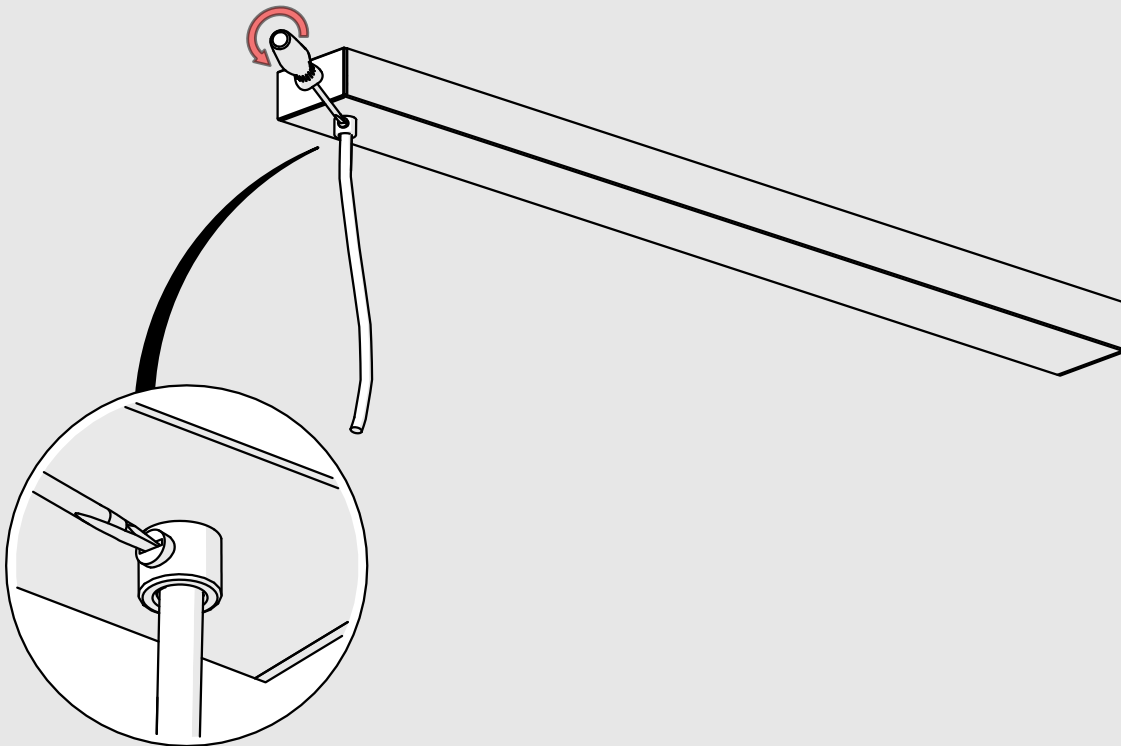
XVIa



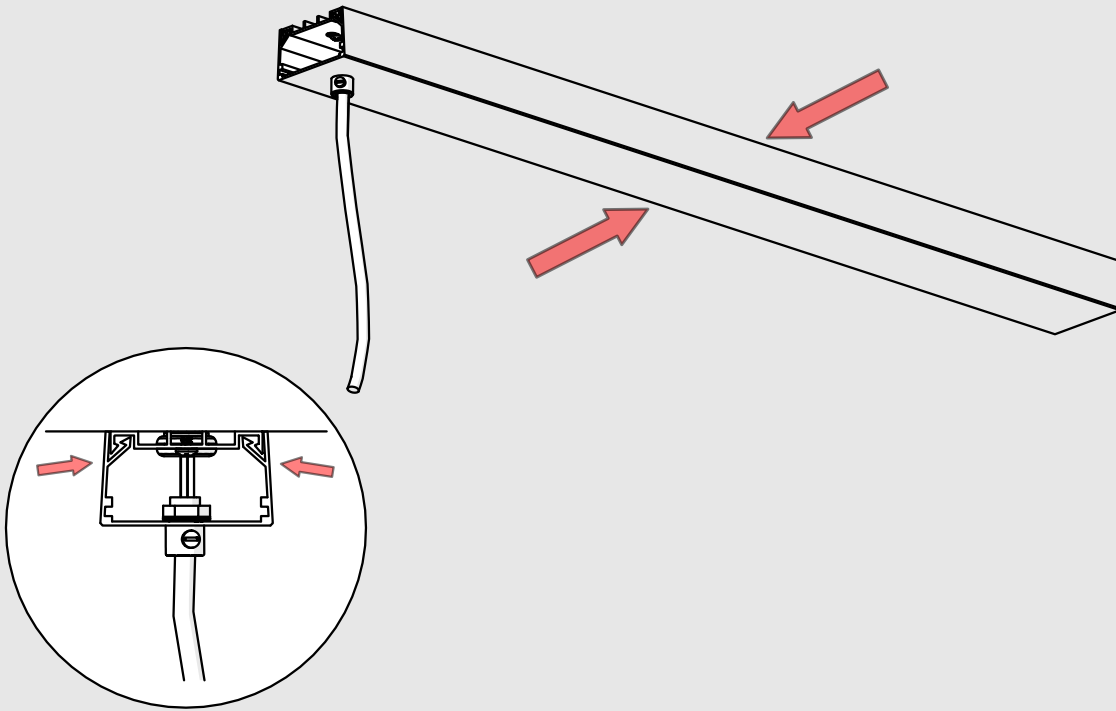
Ib



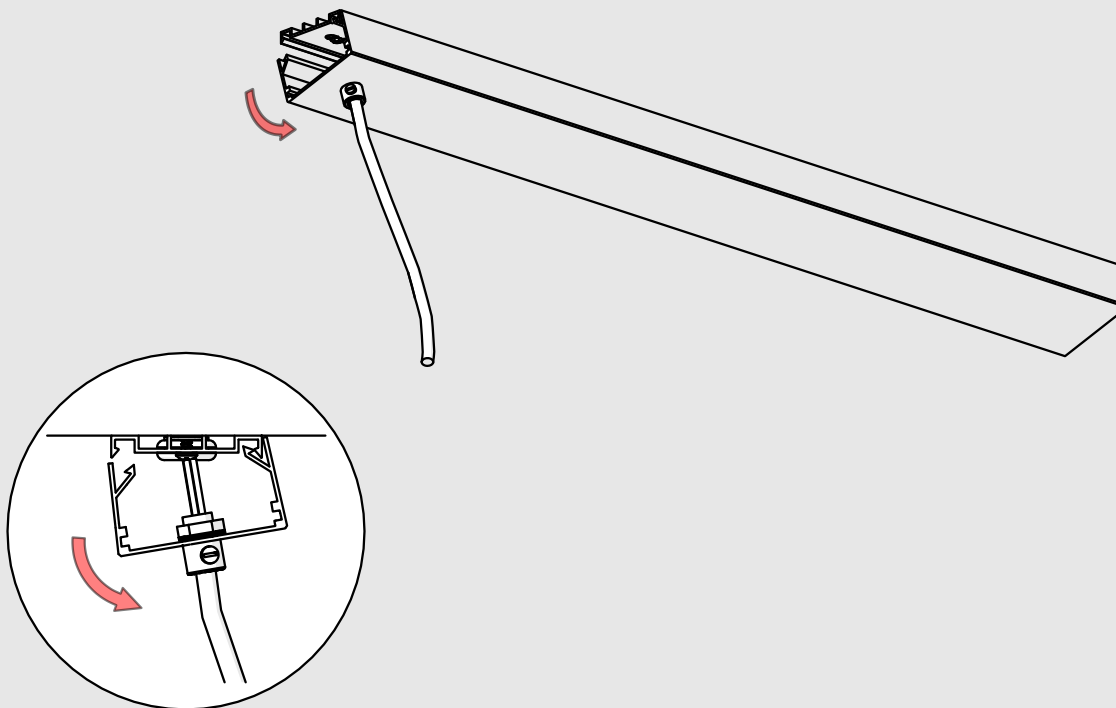
IIb



IIIb



IVb



Vb

